

# FUTEK MODEL LCF706


## FATIGUE RATED LOW PROFILE UNIVERSAL PANCAKE LOAD CELL w/ TENSION BASE

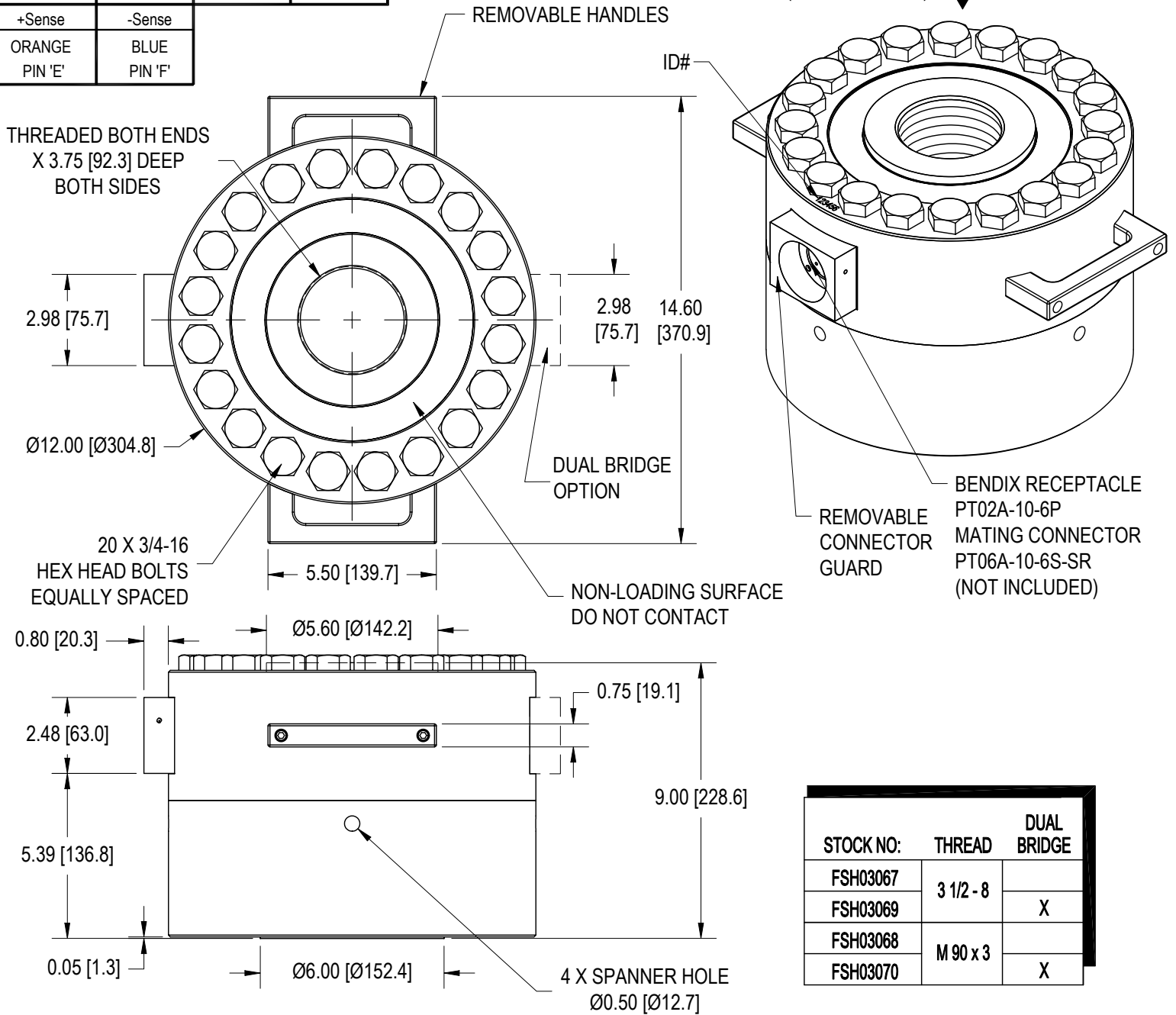
Drawing Number: F11240-A

INCH [mm] | R.O.= Rated Output

WIRING CODE (CC1)

+Excitation	-Excitation	+Signal	-Signal
RED	BLACK	GREEN	WHITE
PIN 'A'	PIN 'B'	PIN 'C'	PIN 'D'
+Sense	-Sense		
ORANGE	BLUE		
PIN 'E'	PIN 'F'		

+OUTPUT  
(TENSION)   
-OUTPUT  
(COMPRESSION)



STOCK NO:	THREAD	DUAL BRIDGE
FSH03067	3 1/2 - 8	
FSH03069		X
FSH03068	M 90 x 3	
FSH03070		X

### SPECIFICATIONS:

**RATED OUTPUT**  
**CAPACITY**

2 mV/V nom.  
200 Klb [900 kN]

**SAFE OVERLOAD**

150% of R.O.

**ZERO BALANCE**

±1% of R.O.

**EXCITATION (VDC OR VAC)**

20 VDC MAX

**BRIDGE RESISTANCE**

350 Ω nom.

**NONLINEARITY**

±0.2% of R.O.

**HYSTERESIS**

±0.2% of R.O.

**NONREPEATABILITY**

±0.02% of R.O.

**TEMP. SHIFT ZERO**

±0.005% of R.O./°F (0.009% of R.O./°C)

**TEMP. SHIFT SPAN**

±0.005% of LOAD/°F (0.009% of LOAD/°C)

**COMPENSATED TEMP.**

60 to 160°F (15 to 72°C)

**OPERATING TEMP.**

-60 to 200°F (-50 to 93°C)

**WEIGHT**

230 lb

**MATERIAL**

17-4PH S.S.

**CONNECTOR: 6 Pin BENDIX Receptacle (PT02A-10-6P)**

**CALIBRATION (STD)**

5 pt. COMPRESSION; 60.4 KΩ SHUNT CAL VALUE

**CALIBRATION TEST EXCITATION**

10 VDC