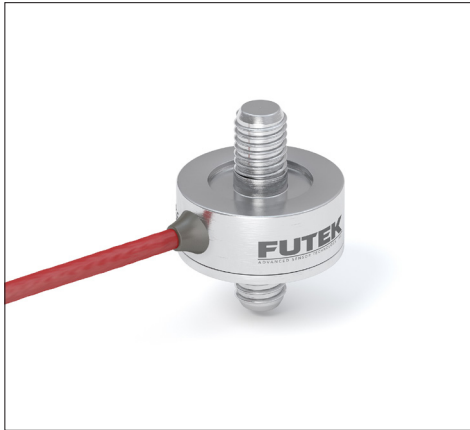


Terms and Conditions of Use

This drawing, including all information depicted herein (collectively, "Drawing"), is FUTEK's property and protected under applicable law, including copyright. FUTEK reserves all rights. The Drawing is provided solely for your information and exclusive use. **Except as expressly approved by FUTEK in writing, you may not reproduce or share this Drawing**, in whole or part, with any other firm or individual, or attempt to reverse engineer the Drawing or data contained therein. Any reproduction of this Drawing in whole or part must include this legend.

By accessing the Drawing, you agree that you have read, understand, and agree to abide by the stated Terms and Conditions of Use.

© 2023 FUTEK Advanced Sensor Technology, Inc.

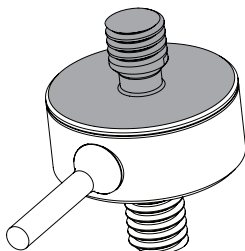
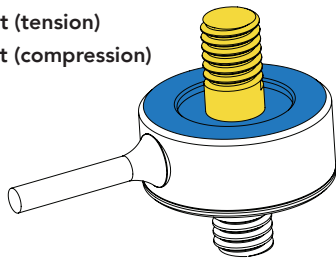


FEATURES

- High speed, low deflection
- Minimal mounting clearance
- Lightweight and ultra miniature solution
- Outer diameter of 0.38" [9.5 mm]
- 17-4 PH stainless-steel construction
- For use, both in-line tension and compression
- Utilizes metal foil strain gauge technology
- Adheres to RoHS directive 2015/63/EU

- Non-loading surface
- Active End
- Fixed end

- + Output (tension)
- Output (compression)



SPECIFICATIONS

PERFORMANCE

Nonlinearity	±0.5% of RO
Hysteresis	±0.5% of RO
Nonrepeatability	±0.1% of RO

ELECTRICAL

Rated Output (RO)	1 mV/V (1000 g, 5 lb) 2 mV/V (10 lb, 25 lb)
Excitation (VDC or VAC)	7 max
Bridge Resistance	350 Ohm nom
Insulation Resistance	≥500 MOhm @ 50 VDC
Connection	#34 Awg 4 conductor braided shielded polyester cable 5 ft [1.5 m] long
Wiring/Connector Code	WC1

MECHANICAL

Weight (approximate)	0.3 oz [8.5 g]
Safe Overload	150% of RO
Material	17-4 PH stainless-steel
IP Rating	IP65

TEMPERATURE

Operating Temperature	-60 to 200°F (-51 to 93°C)
Compensated Temperature	60 to 160°F (16 to 71°C)
Temperature Shift Zero	±0.02% of RO/°F (±0.036 of RO/°C)
Temperature Shift Span	±0.02% of load/°F (±0.036 of load/°C)

CALIBRATION

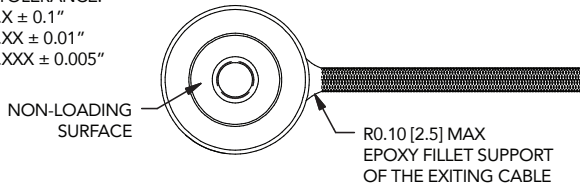
Calibration Test Excitation	5 VDC
Calibration (standard)	5-pt Tension
Calibration (available)	Compression
Shunt Calibration Value	100 kOhm (1000 g, 5 lb), 60.4 kOhm (10 lb, 25 lb)

CONFORMITY

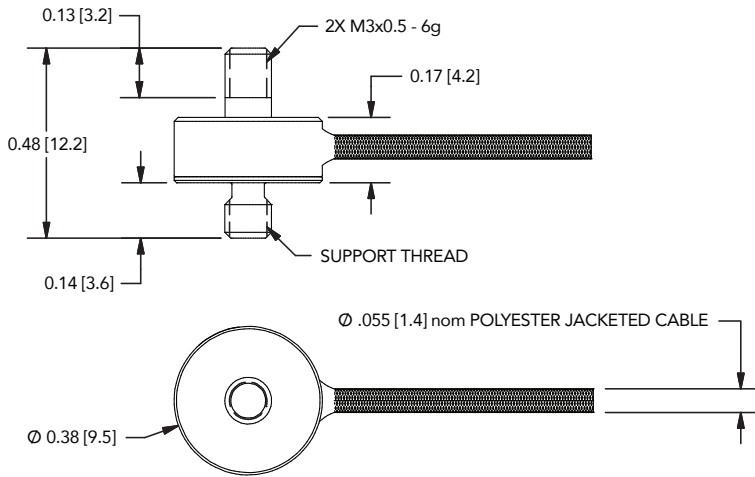
RoHS	EU 2015/863
CE	EN55011; EN61326-1

DIMENSIONS inches [mm]

TOLERANCE:
 .X ± 0.1"
 .XX ± 0.01"
 .XXX ± 0.005"



*Avoid continuous bends near cable exit.

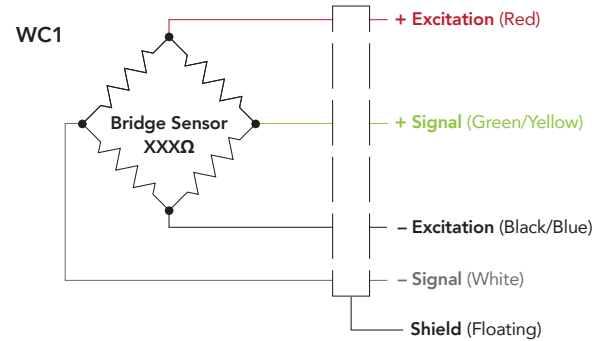


Note: Static one-time bends shall not have a radius of less than 5 times the diameter of the sensor cable. Continuous bends shall not have a radius of less than 10 times the diameter of the sensor cable.

WIRING CODE

WC1

RED	+ EXCITATION
BLACK	- EXCITATION
GREEN	+ SIGNAL
WHITE	- SIGNAL
SHIELDED	FLOATING



CAPACITIES

ITEM #	lb	N	Deflection (in)	Natural Frequency (kHz)
FSH04397	1000 g	9.8	0.0001	19
FSH04398	5 lb	22.2	0.0001	26
FSH04399	10 lb	44.5	0.0002	26
FSH04400	25 lb	111.2	0.0002	42

**In-line sensors are sensitive to off-axis or extraneous forces, please refer to [Extraneous Load Factor sheet](#).

Drawing Number: FI1367-J

FUTEK reserves the right to modify its design and specifications without notice. Please visit <http://www.futek.com/salesterms> for complete terms and conditions.

The information provided herein was developed using FEA analysis, empirical data and multiple testing simulations. FUTEK presents the information in good faith and believes it is correct but makes no representations or warranties as to the completeness or accuracy of the information provided. User's application may produce different data and/or results. By using this information, you agree that you have read and understand this disclosure. Please contact us to discuss your particular application and needs.

10 Thomas, Irvine, CA 92618 USA
 futek@futek.com

www.futek.com



R0HS



U.S. Manufacturer