

## Terms and Conditions of Use

This drawing, including all information depicted herein (collectively, "Drawing"), is FUTEK's property and protected under applicable law, including copyright. FUTEK reserves all rights. The Drawing is provided solely for your information and exclusive use. **Except as expressly approved by FUTEK in writing, you may not reproduce or share this Drawing**, in whole or part, with any other firm or individual, or attempt to reverse engineer the Drawing or data contained therein. Any reproduction of this Drawing in whole or part must include this legend.

By accessing the Drawing, you agree that you have read, understand, and agree to abide by the stated Terms and Conditions of Use.

© 2023 FUTEK Advanced Sensor Technology, Inc.



## FEATURES

- Minimal mounting clearance
- 17-4 stainless-steel construction
- For use in both tension and compression
- Accessories and related instruments available

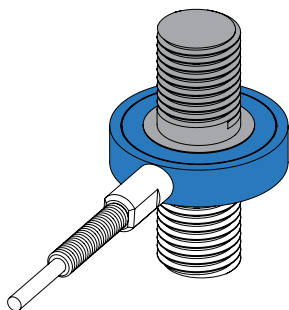
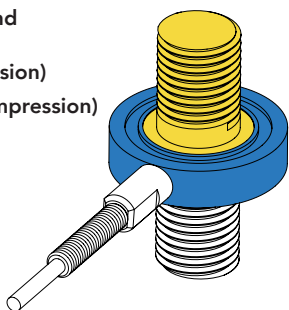
 Non-loading surface, do not contact

 Active End

 Fixed End

+ Output (tension)

- Output (compression)



## SPECIFICATIONS

### PERFORMANCE

Nonlinearity	±0.5% of RO
Hysteresis	±0.5% of RO
Nonrepeatability	±0.1% of RO

### ELECTRICAL

Rated Output (RO)	1 mV/V nom (250 lb) 2 mV/V nom
Excitation (VDC or VAC)	15 max
Bridge Resistance	350 Ohm nom
Insulation Resistance	≥500 MOhm @ 50 VDC
Connection	#29 AWG, 4 conductor, spiral shielded Teflon cable 10 ft [3 m] long
Wiring/Connector Code	WC1

### MECHANICAL

Weight (approximate)	0.6 oz [17 g]
Safe Overload	150% of RO
Deflection	0.001 in [0.025 mm] nom
Material	17-4 PH stainless-steel
IP Rating	IP64

### TEMPERATURE

Operating Temperature	-60 to 285°F (-51 to 140°C)
Compensated Temperature	60 to 250°F (15 to 121°C)
Temperature Shift Zero	±0.01% of RO/°F (±0.018 of RO/°C)
Temperature Shift Span	±0.02% of Load/°F (±0.036 of Load/°C)

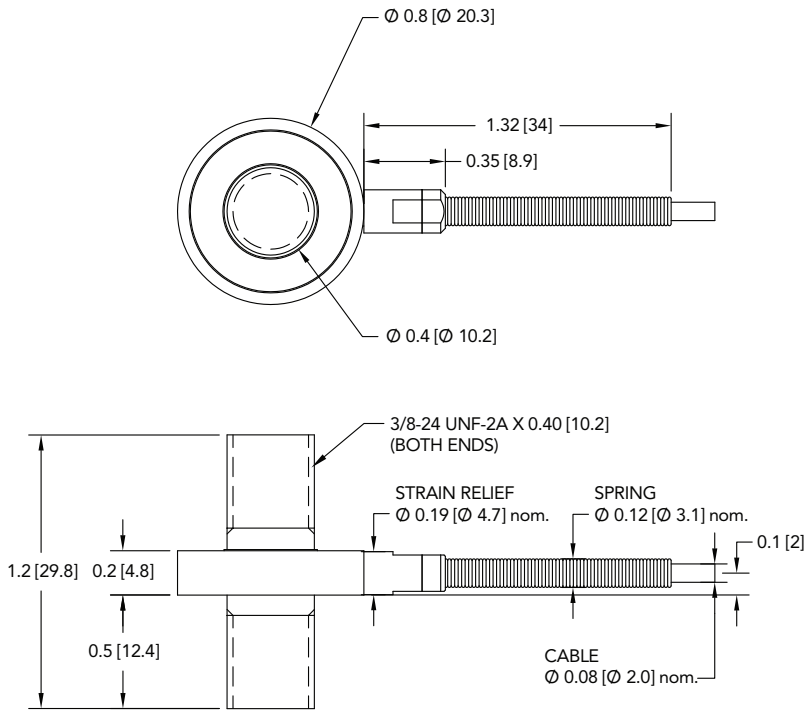
### CALIBRATION

Calibration Test Excitation	10 VDC
Calibration (standard)	5-pt Tension
Calibration (available)	5-pt Compression
Shunt Calibration Value	60.4 kOhm, 100 kOhm (250 lb)

### CONFORMITY

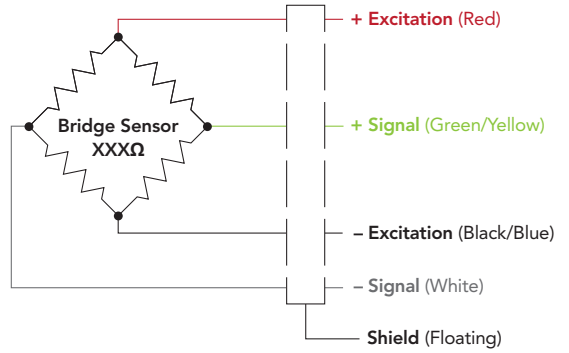
RoHS	EU 2015/863
CE	EN55011; EN61326-1

**DIMENSIONS** inches [mm]



**WIRING CODE (WC1 WITH SHIELD)**

RED	+ EXCITATION
BLACK	- EXCITATION
GREEN	+ SIGNAL
WHITE	- SIGNAL
SHIELD	FLOATING



**CAPACITIES**

ITEM #	lb	N	Natural Frequency (kHz)
FSH03903	250	1112	26.8
FSH03904	500	2224	26.8
FSH03905	1000	4448	32.8



Drawing Number: FI1064-H

FUTEK reserves the right to modify its design and specifications without notice. Please visit <http://www.futek.com/salesterms> for complete terms and conditions.

10 Thomas, Irvine, CA 92618 USA

Tel: (949) 465-0900  
Fax: (949) 465-0905

[www.futek.com](http://www.futek.com)



RoHS



U.S. Manufacturer