

## Terms and Conditions of Use

This drawing, including all information depicted herein (collectively, "Drawing"), is FUTEK's property and protected under applicable law, including copyright. FUTEK reserves all rights. The Drawing is provided solely for your information and exclusive use. **Except as expressly approved by FUTEK in writing, you may not reproduce or share this Drawing**, in whole or part, with any other firm or individual, or attempt to reverse engineer the Drawing or data contained therein. Any reproduction of this Drawing in whole or part must include this legend.

By accessing the Drawing, you agree that you have read, understand, and agree to abide by the stated Terms and Conditions of Use.

© 2023 FUTEK Advanced Sensor Technology, Inc.



## FEATURES

- Environmental Protection
- Water Resistant and Outdoor Rated
- Miniature size
- Fast response and low deflection
- Quick Disconnect Cable
- For use in both tension and compression

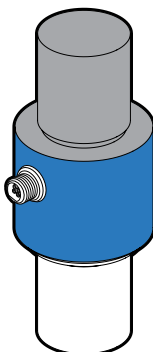
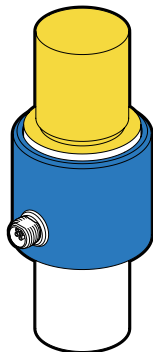
 Non-loading surface, do not contact

 Active End

 Fixed End

+ Output (tension)

- Output (compression)



## SPECIFICATIONS

### PERFORMANCE

Nonlinearity	±0.5% of RO
Hysteresis	±0.5% of RO
Nonrepeatability	±0.1% of RO

### ELECTRICAL

Rated Output (RO)	2 mV/V
Excitation (VDC or VAC)	18 max
Bridge Resistance	350 Ohm nom
Insulation Resistance	≥500 MOhm @ 50 VDC
Connection	4 Position Micro Receptacle
Wiring/Connector Code	CC19

### MECHANICAL

Weight (approximate)	8 oz [227 g]
Safe Overload	150% of RO
Deflection	0.0025
Material (flexure)	17-4 PH stainless-steel
IP Rating	IP64

### TEMPERATURE

Operating Temperature	-45 to 200°F (-42 to 93°C)
Compensated Temperature	60 to 160°F (15 to 72°C)
Temperature Shift Zero	±0.005% of RO/°F (0.01% of RO/°C)
Temperature Shift Span	±0.01% of Load/°F (0.018% of Load/°C)

### CALIBRATION

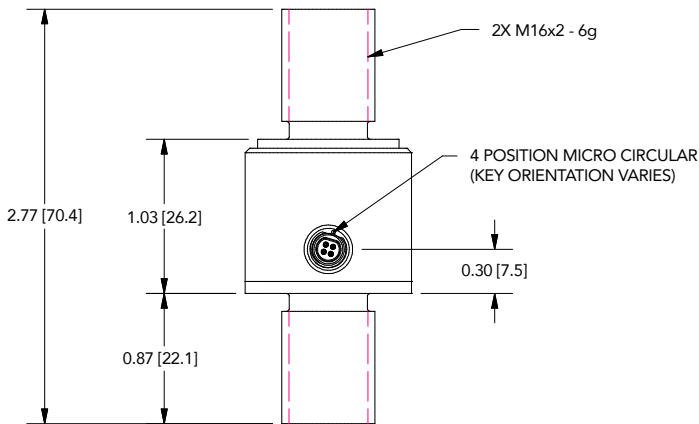
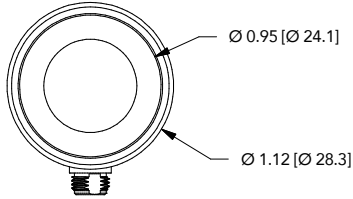
Calibration Test Excitation	10 VDC
Calibration (standard)	5-pt Tension
Calibration (available)	Compression
Shunt Calibration Value	60.4 kOhm (10 kIb)

### CONFORMITY

RoHS	EU 2015/863
CE	EN55011; EN61326-1

## DIMENSIONS inches [mm]

TOLERANCE:  
 .X ± 0.1" [2.5 mm]  
 .XX ± 0.01" [0.25 mm]  
 .XXX ± 0.005" [0.127 mm]



## FUTEK 4 PIN MICRO CIRCULAR (CC19)

1	+ EXCITATION	Red
2	- EXCITATION	Black
3	- SIGNAL	White
4	+ SIGNAL	Green



## CAPACITIES

ITEM #	klb	kN	Thread	Natural Frequency (kHz)
FSH04645	10	44.5	M16x2	14.9



Drawing Number: F11544

FUTEK reserves the right to modify its design and specifications without notice.  
 Please visit [www.futek.com/salesterms](http://www.futek.com/salesterms) for complete terms and conditions.

10 Thomas, Irvine, CA 92618 USA  
 Tel: (949) 465-0900

[www.futek.com](http://www.futek.com)



RoHS



U.S. Manufacturer