

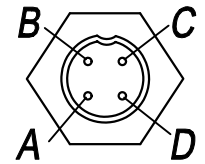
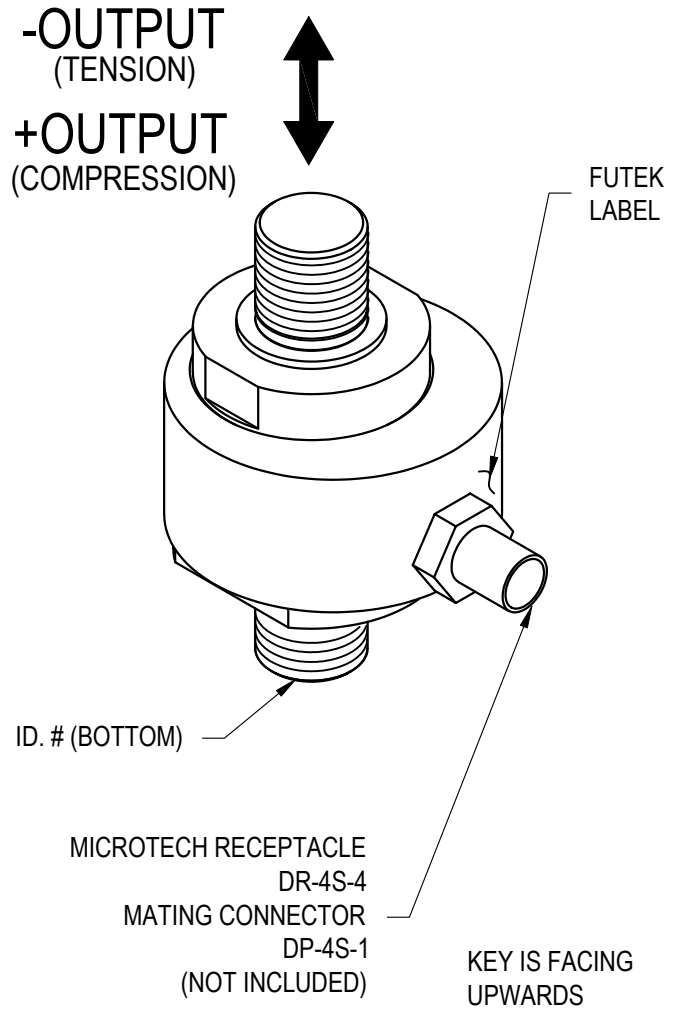
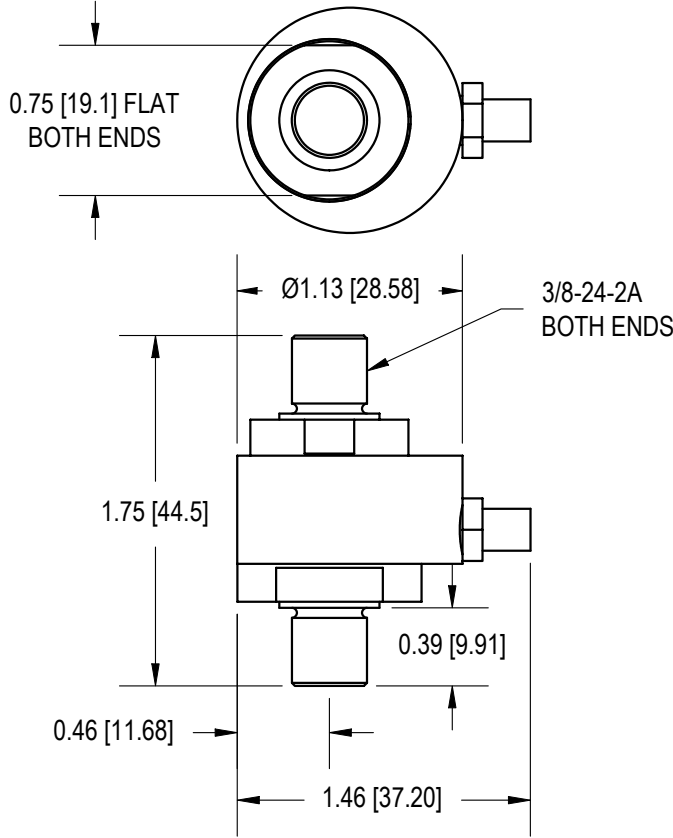
FUTEK MODEL LCM400  
STK# FSH01909

**MINIATURE INLINE THREADED TENSION AND COMPRESSION LOAD CELL**  
(Previously L1656)

Drawing Number: FI1120-A

INCH [mm] | R.O.= Rated Output

WIRING CODE (CC6)			
+Excitation	-Excitation	+Signal	-Signal
RED PIN 'A'	BLACK PIN 'B'	GREEN/YELLOW PIN 'C'	WHITE PIN 'D'



**SPECIFICATIONS:**

CAPACITY	2500 lb [11120 N]
RATED OUTPUT	1 mV/V nom.
SAFE OVERLOAD	150% of R.O.
ZERO BALANCE	±3% of R.O.
EXCITATION (VDC OR VAC)	18 MAX
BRIDGE RESISTANCE	350 Ω nom.
NONLINEARITY	±0.5% of R.O.
HYSTERESIS	±0.5% of R.O.
NONREPEATABILITY	±0.2% of R.O.
TEMP. SHIFT ZERO	±0.01% of R.O./°F [0.018% of R.O./°C]
TEMP. SHIFT SPAN	±0.02% of LOAD/°F [0.036% of LOAD/°C]
COMPENSATED TEMP.	60 to 160°F [15 to 72°C]
OPERATING TEMP.	-60 to 200°F [-50 to 93°C]
MATERIAL (SENSOR)	17-4PH S.S.
MATERIAL (COVER)	WELDED 17-4PH S.S.
WEIGHT	2.5 oz [71 g]
DEFLECTION	0.001 [0.03] nom.
CONNECTOR: MICROTECH 4 Pin Receptacle (DR-4S-4)	
ACCESSORIES AND RELATED INSTRUMENTS AVAILABLE	
CALIBRATION (STD)	5 pt. COMPRESSION; 100K Ω SHUNT CAL. VALUE
CALIBRATION (AVAILABLE)	TENSION
CALIBRATION TEST EXCITATION	10 VDC