

FUTEK MODEL LCM500

Drawing Number: FI1094-B

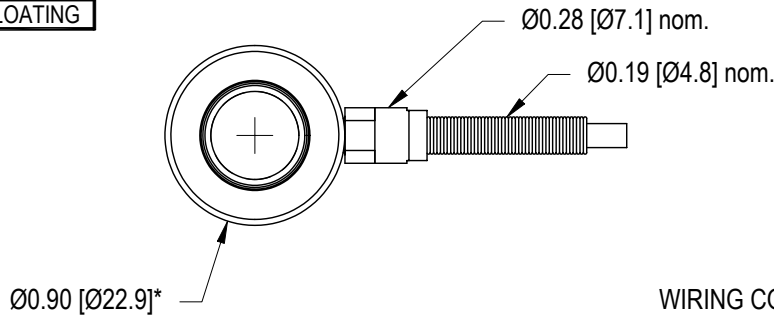
INCH [mm] R.O.= Rated Output

WIRING CODE (WC1)

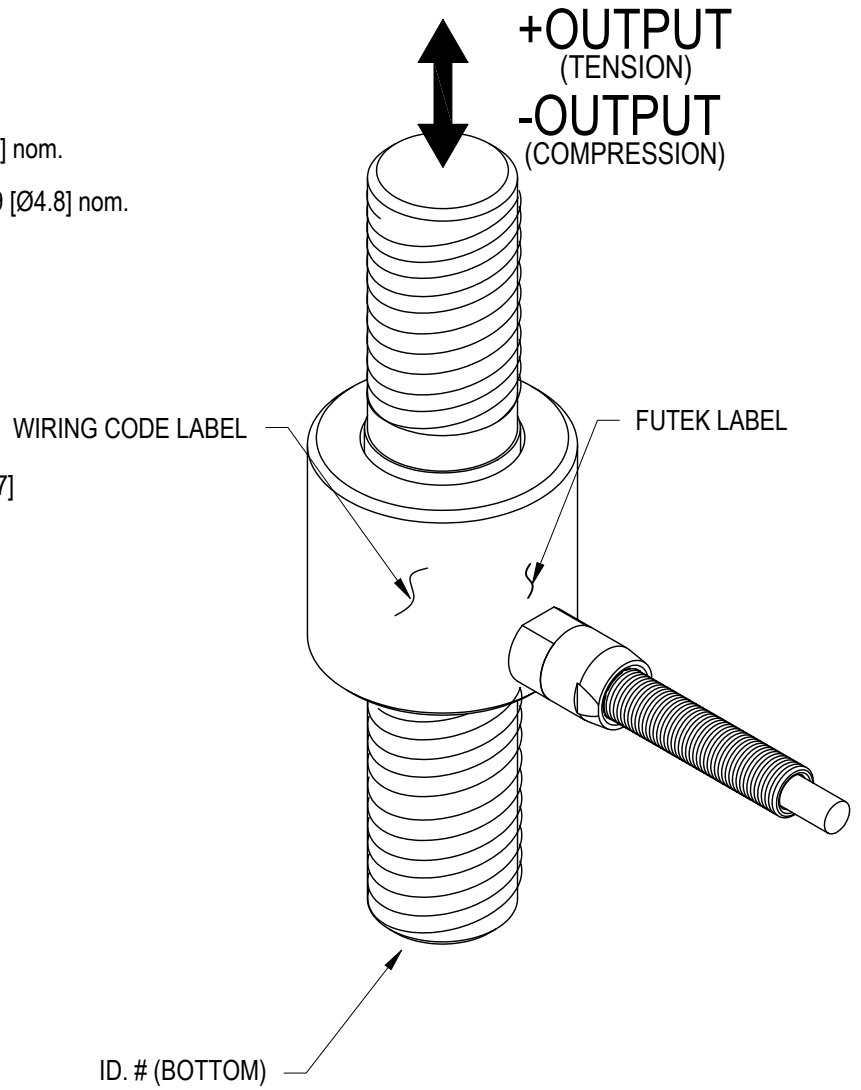
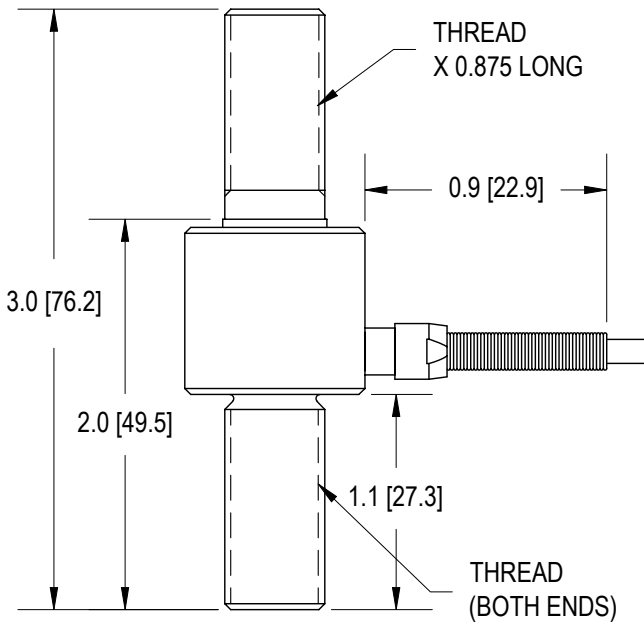
+Excitation	-Excitation	+Signal	-Signal
RED	BLACK	GREEN	WHITE
Shield	FLOATING		

THREADED ROD LOAD CELL

(Previously L2820/L2822)



* COVER DIAMETER WAS INCREASED FROM Ø0.62 [15.7]



+OUTPUT
(TENSION)
-OUTPUT
(COMPRESSION)

SPECIFICATIONS:

RATED OUTPUT	2 mV/V nom.
SAFE OVERLOAD	150% of R.O.
ZERO BALANCE	±3% of R.O.
EXCITATION (VDC OR VAC)	18 MAX
BRIDGE RESISTANCE	350 Ω nom.
NONLINEARITY	±0.2% of R.O.
HYSTERESIS	±0.2% of R.O.
NONREPEATABILITY	±0.1% of R.O.
TEMP. SHIFT ZERO	±0.005% of R.O./°F [0.01% of R.O./°C]
TEMP. SHIFT SPAN	±0.005% of LOAD/°F [0.01% of LOAD/°C]
COMPENSATED TEMP.	60 to 160°F [15 to 72°C]
OPERATING TEMP.	-45 to 200°F [-42 to 93°C]
MATERIAL	17-4PH S.S.
WEIGHT	4 oz [113 g]
DEFLECTION	0.001 [0.03] nom.
CABLE: #28 AWG, 4 Conductor, Spiral Shielded PVC Cable 10 ft [3 m] Long	
ACCESSORIES AND RELATED INSTRUMENTS AVAILABLE	
CALIBRATION (STD)	5 pt. TENSION; 60.4K Ω SHUNT CAL. VALUE
CALIBRATION (AVAILABLE)	COMPRESSION
CALIBRATION TEST EXCITATION	10 VDC

FOR LOWER CAPACITIES REFER TO LCM300

STK#	CAPACITIES		
	lb	N	THREAD
FSH00836	2000	8896	1/2-20-3A
FSH00841			M12 x 1.75
FSH00837	5000	22240	1/2-20-3A
FSH00842			M12 x 1.75