



FEATURES

- Miniature Size
- Fast response and low deflection
- Notable Nonlinearity
- Robust cable strain relief
- For use in both tension and compression

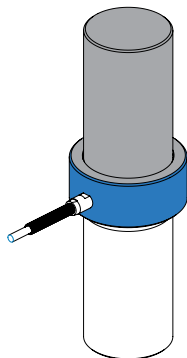
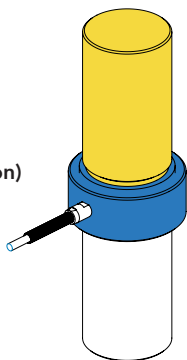
■ Non-loading surface, do not contact

■ Active End

■ Fixed End

+ Output (tension)

- Output (compression)



SPECIFICATIONS

PERFORMANCE

Nonlinearity	±0.2% of RO
Hysteresis	±0.2% of RO
Nonrepeatability	±0.1% of RO

ELECTRICAL

Rated Output (RO)	2 mV/V nom
Excitation (VDC or VAC)	18 max
Bridge Resistance	350 Ohm nom
Insulation Resistance	≥500 MOhm @ 50 VDC
Connection	#24 AWG, 4 conductor, braided shielded PVC cable, 10 ft [3 m] long
Wiring/Connector Code	WC1

MECHANICAL

Weight (approximate)	3.1 lb [1.4 kg]
Safe Overload	150% of RO
Deflection	0.005 in [0.13 mm] nom
Material (flexure)	17-4 PH stainless-steel
IP Rating	IP64

TEMPERATURE

Operating Temperature	-45 to 200°F (-42 to 93°C)
Compensated Temperature	60 to 160°F (15 to 72°C)
Temperature Shift Zero	±0.005% of RO/°F (0.01% of RO/°C)
Temperature Shift Span	±0.005% of Load/°F (0.01% of Load/°C)

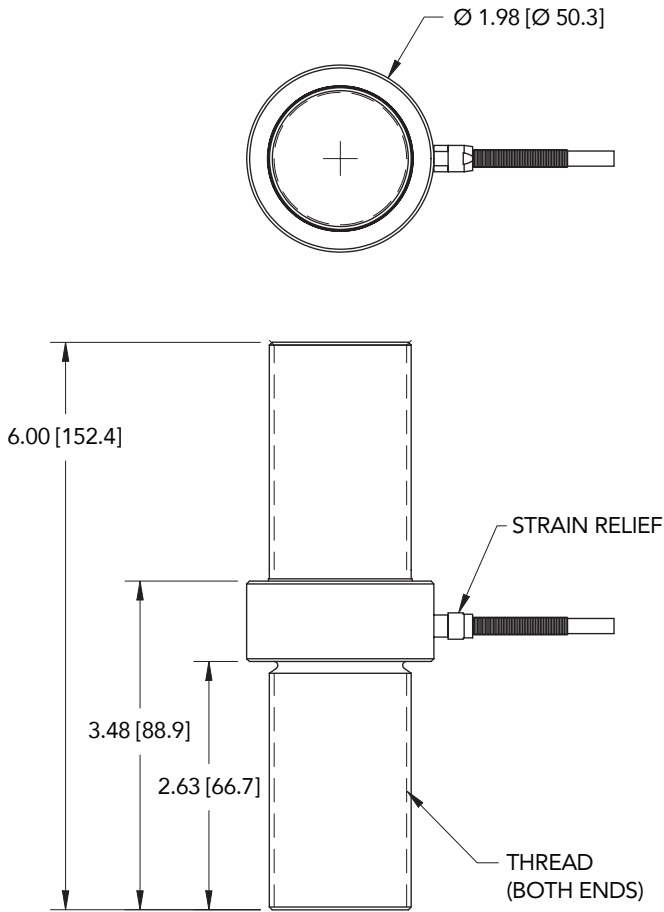
CALIBRATION

Calibration Test Excitation	10 VDC
Calibration (standard)	5-pt Tension
Calibration (available)	Compression
Shunt Calibration Value	60.4 kOhm

CONFORMITY

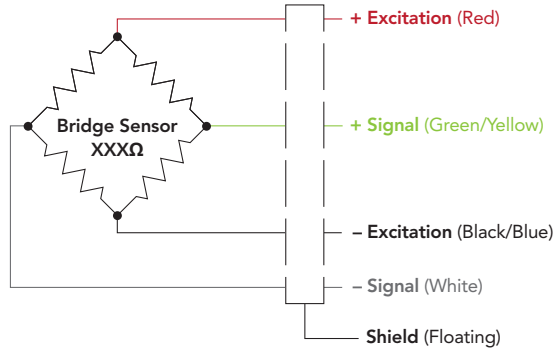
RoHS	EU 2015/863
CE	EN55011; EN61326-1

DIMENSIONS inches [mm]



WIRING CODE (WC1 WITH SHIELD)

RED	+ EXCITATION
BLACK	- EXCITATION
GREEN	+ SIGNAL
WHITE	- SIGNAL
SHIELD	FLOATING



CAPACITIES

ITEM #	klb	kN	Thread	Natural Frequency (kHz)
FSH04090	50	222.4	1 1/2-12	8.1
FSH04091	50	222.4	M36x4	8.1

Drawing Number: F11447-B

FUTEK reserves the right to modify its design and specifications without notice. Please visit www.futek.com/salesterms for complete terms and conditions.

10 Thomas, Irvine, CA 92618 USA

Tel: (949) 465-0900

Fax: (949) 465-0905

www.futek.com



RoHS



U.S. Manufacturer