

## Terms and Conditions of Use

This drawing, including all information depicted herein (collectively, "Drawing"), is FUTEK's property and protected under applicable law, including copyright. FUTEK reserves all rights. The Drawing is provided solely for your information and exclusive use. **Except as expressly approved by FUTEK in writing, you may not reproduce or share this Drawing**, in whole or part, with any other firm or individual, or attempt to reverse engineer the Drawing or data contained therein. Any reproduction of this Drawing in whole or part must include this legend.

By accessing the Drawing, you agree that you have read, understand, and agree to abide by the stated Terms and Conditions of Use.

© 2023 FUTEK Advanced Sensor Technology, Inc.



## FEATURES

- Fully internally temperature compensated (no external conditioning circuitry)
- Subminiature / light weight
- Low deflection / fast response
- For use in compression
- Utilizes metal foil strain gauge technology
- Accessories and related instruments available

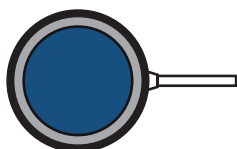
 Non-loading surface, do not contact

 Active End

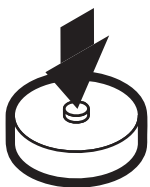
 Fixed end



Top view



Bottom view



+ Output (compression)

## SPECIFICATIONS

### PERFORMANCE

Nonlinearity	±0.5% of RO
Hysteresis	±0.5% of RO
Nonrepeatability	±0.1% of RO

### ELECTRICAL

Rated Output (RO)	2 mV/V 1 mV/V (1000 g, 5 lb) nom
Excitation (VDC or VAC)	7 max
Bridge Resistance	350 Ohm nom
Insulation Resistance	≥500 MOhm @ 50 VDC
Connection	#34 AWG, 4 conductor Teflon, stainless-steel braided shielded cable 5-ft [1.5 m] long
Wiring/Connector Code	WC1s

### MECHANICAL

Weight (approximate)	0.3 oz [8.5g]
Safe Overload	150% of RO
Deflection	0.0005 in [0.013 mm] nom
Material	17-4 PH stainless-steel
IP Rating	IP64

### TEMPERATURE

Operating Temperature	-60 to 200°F (-51 to 93°C)
Compensated Temperature	60 to 160°F (16 to 71°C)
Temperature Shift Zero	±0.02% of RO/°F (±0.036 of RO/°C)
Temperature Shift Span	±0.02% of Load/°F (±0.036 of Load/°C)

### CALIBRATION

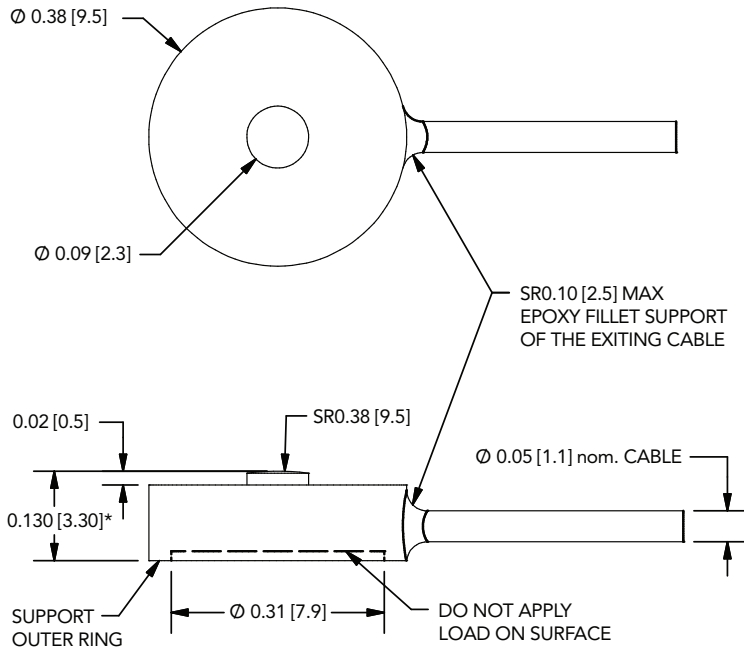
Calibration Test Excitation	5 VDC
Calibration (standard)	5-pt Compression
Shunt Calibration Value	60.4 kOhm, 100 kOhm (1000 g, 5 lb)

### CONFORMITY

RoHS	EU 2015/863
CE	EN55011; EN61326-1

## DIMENSIONS inches [mm]

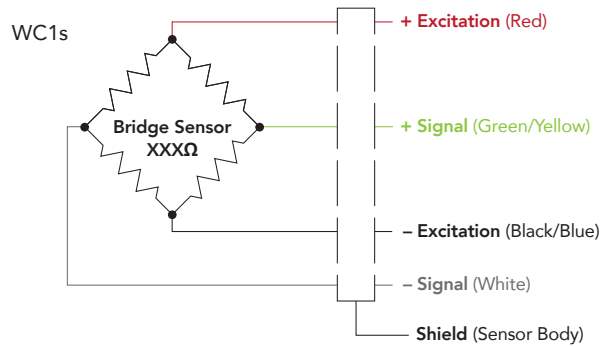
TOLERANCE:  
 .X ± 0.1" [2.5 mm]  
 .XX ± 0.01" [0.25 mm]  
 .XXX ± 0.005" [0.127 mm]



\* ±0.001 [0.025]

## WIRING CODE (WC1s)

RED	+ EXCITATION
BLACK	- EXCITATION
GREEN	+ SIGNAL
WHITE	- SIGNAL
SHIELD	SENSOR BODY



## CAPACITIES

ITEM #	lb	N	Natural Frequency (kHz)
FSH03881	1000 g	9.8	20
FSH03769	5 lb	22.2	28.5
FSH03770	10 lb	44.5	28.5
FSH03879	25 lb	111.2	42
FSH03880	50 lb	222.4	52

Drawing Number: FI1284-I

FUTEK reserves the right to modify its design and specifications without notice. Please visit <http://www.futek.com/salesterms> for complete terms and conditions.

The information provided herein was developed using FEA analysis, empirical data and multiple testing simulations. FUTEK presents the information in good faith and believes it is correct but makes no representations or warranties as to the completeness or accuracy of the information provided. User's application may produce different data and/or results. By using this information, you agree that you have read and understand this disclosure. Please contact us to discuss your particular application and needs.

10 Thomas, Irvine, CA 92618 USA  
 futek@futek.com

[www.futek.com](http://www.futek.com)



R0HS



U.S. Manufacturer