


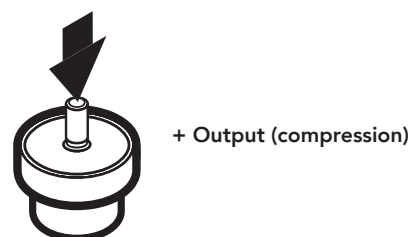
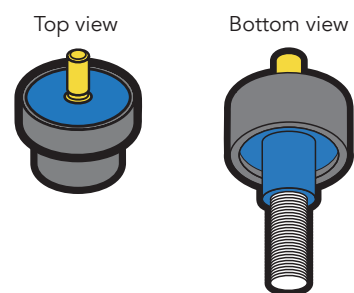


FEATURES

- Mechanical strain relief
- Subminiature / light weight
- Low deflection / fast response
- Fully internally temperature compensated
- Threaded Load Button
- Axial cable exit

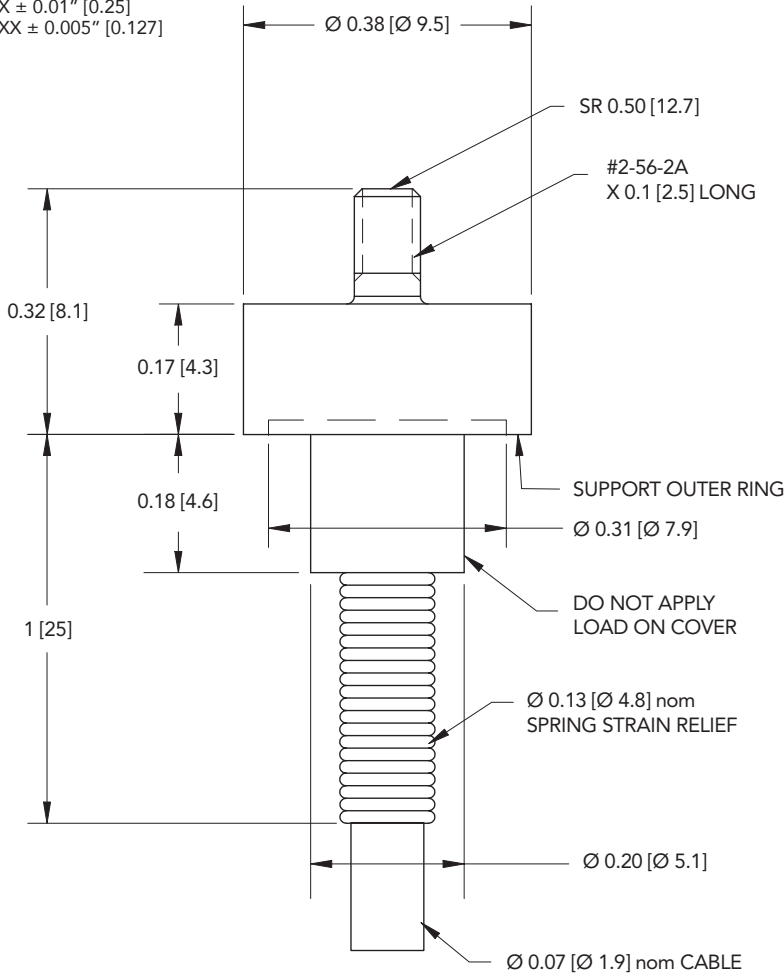
-  Non-loading surface, do not contact
-  Active End
-  Fixed End



SPECIFICATIONS	
PERFORMANCE	
Nonlinearity	±0.5% of RO
Hysteresis	±0.5% of RO
Nonrepeatability	±0.1% of RO
ELECTRICAL	
Rated Output (RO)	1 mV/V (25 lb) 2 mV/V (50 lb)
Excitation (VDC or VAC)	7 max
Bridge Resistance	350 Ohm nom
Insulation Resistance	≥500 MOhm @ 50 VDC
Connection	#29 AWG, 4 conductor, spiral shielded silicone cable 10-ft [3 m] long
Wiring/Connector Code	WC1
MECHANICAL	
Weight (approximate)	1 oz [28 g]
Safe Overload	150% of RO
Deflection	0.0007 in
Material	17-4 PH stainless-steel
IP Rating	IP64
TEMPERATURE	
Operating Temperature	-60 to 200°F (-50 to 93°C)
Compensated Temperature	60 to 160°F (15 to 72°C)
Temperature Shift Zero	±0.01% of RO/°F (±0.018% of RO/°C)
Temperature Shift Span	±0.02% of Load/°F (±0.036% of Load/°C)
CALIBRATION	
Calibration Test Excitation	5 VDC
Calibration (standard)	5-pt Compression
Shunt Calibration Value	60.4 kOhm
CONFORMITY	
RoHS	EU 2015/863
CE	EN55011; EN61326-1

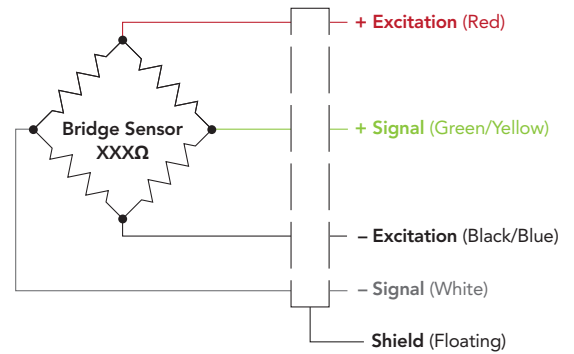
DIMENSIONS inches [mm]

TOLERANCE:
 .X ± 0.1" [2.5]
 .XX ± 0.01" [0.25]
 .XXX ± 0.005" [0.127]



WIRING CODE (WC1 WITH SHIELD)

RED	+ EXCITATION
BLACK	- EXCITATION
GREEN	+ SIGNAL
WHITE	- SIGNAL
SHIELD	FLOATING



CAPACITIES

ITEM #	lb	N	Natural Frequency (kHz)
FSH04426	25	111	22
FSH04771	50	222	31

Drawing Number: FI1258-E

FUTEK reserves the right to modify its design and specifications without notice.
 Please visit <http://www.futek.com/salesterms> for complete terms and conditions.

10 Thomas, Irvine, CA 92618 USA
 futek@futek.com

www.futek.com



R0HS



U.S. Manufacturer