



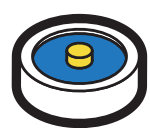
FEATURES

- Ultra fast response
- Low deflection
- Impressive repeatability
- 17-4 PH stainless-steel construction
- Fully welded construction

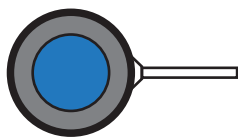
 Non-loading surface, do not contact

 Active End

 Fixed End



Top view



Bottom view



+ Output (compression)

SPECIFICATIONS

PERFORMANCE

Nonlinearity $\pm 0.5\%$ of RO

Hysteresis $\pm 0.5\%$ of RO

Nonrepeatability $\pm 0.1\%$ of RO

ELECTRICAL

Rated Output (RO) 2 mV/V nom

Excitation (VDC or VAC) 7 max

Bridge Resistance 350 Ohm nom

Insulation Resistance ≥ 500 Mohm @ 50 VDC

Connection #34 awg 4 conductor braided shielded cable, 5 ft [1.5 m] long

Wiring/Connector Code WC1s

MECHANICAL

Weight (approximate) 0.32 oz [9 g]

Safe Overload 150% of RO

Deflection 0.0005 in [0.013 mm] nom

Material 17-4 PH stainless-steel

IP Rating IP64

TEMPERATURE

Operating Temperature -60 to 200°F (-51 to 93°C)

Compensated Temperature 60 to 160°F (16 to 71°C)

Temperature Shift Zero $\pm 0.01\%$ of RO/ $^{\circ}\text{F}$ (± 0.018 of RO/ $^{\circ}\text{C}$)

Temperature Shift Span $\pm 0.02\%$ of Load/ $^{\circ}\text{F}$ (± 0.036 of Load/ $^{\circ}\text{C}$)

CALIBRATION

Calibration Test Excitation 5 VDC

Calibration (standard) 5-pt Compression

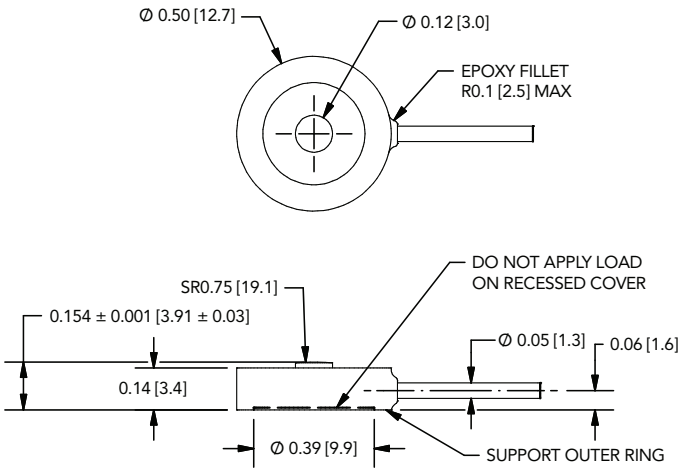
Shunt Calibration Value 60.4 kOhm

CONFORMITY

RoHS EU 2015/863

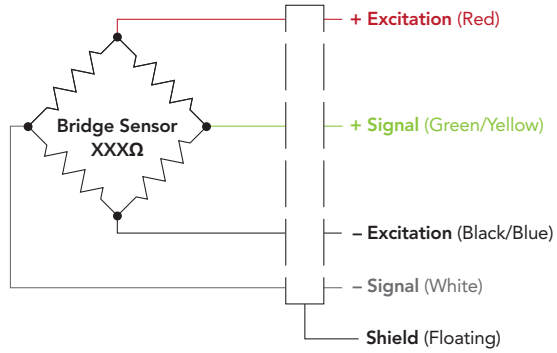
CE EN55011; EN61326-1

DIMENSIONS inches [mm]



WIRING CODE (WC1s)

RED	+ EXCITATION
BLACK	- EXCITATION
GREEN	+ SIGNAL
WHITE	- SIGNAL
SHIELD	SENSOR BODY



CAPACITIES

ITEM #	lb	N	Natural Frequency (kHz)
FSH03838	100	445	33
FSH03839	250	1112	41.7

Drawing Number: F11053-K

FUTEK reserves the right to modify its design and specifications without notice. Please visit www.futek.com/salesterms for complete terms and conditions.

10 Thomas, Irvine, CA 92618 USA

Tel: (949) 465-0900

Fax: (949) 465-0905

www.futek.com



RoHS



U.S. Manufacturer