

Terms and Conditions of Use

This drawing, including all information depicted herein (collectively, "Drawing"), is FUTEK's property and protected under applicable law, including copyright. FUTEK reserves all rights. The Drawing is provided solely for your information and exclusive use. **Except as expressly approved by FUTEK in writing, you may not reproduce or share this Drawing**, in whole or part, with any other firm or individual, or attempt to reverse engineer the Drawing or data contained therein. Any reproduction of this Drawing in whole or part must include this legend.


By accessing the Drawing, you agree that you have read, understand, and agree to abide by the stated Terms and Conditions of Use.

© 2023 FUTEK Advanced Sensor Technology, Inc.



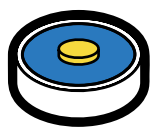
FEATURES

- Ultra fast response
- Robust strain relief
- Low deflection
- 17-4 stainless-steel construction
- For use in compression
- Adheres to RoHS directive 2011/65/EU

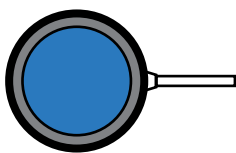
 Non-loading surface, do not contact

 Active End

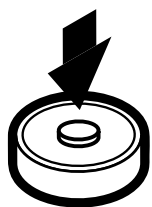
 Fixed End



Top view



Bottom view



+ Output (compression)

SPECIFICATIONS

PERFORMANCE

| | |
|------------------|-------------|
| Nonlinearity | ±0.2% of RO |
| Hysteresis | ±0.2% of RO |
| Nonrepeatability | ±0.1% of RO |

ELECTRICAL

| | |
|-------------------------|---|
| Rated Output (RO) | 2.5 mV/V (1000 lb) 1 mV/V (50, 250 lb) 2 mV/V (25, 100, 500 lb) |
| Excitation (VDC or VAC) | 18 max |
| Bridge Resistance | 700 Ohm nom |
| Insulation Resistance | ≥500 MOhm @ 50 VDC |
| Connection | #29 AWG, 4 conductor, spiral shielded Teflon cable 10-ft [3 m] long |
| Wiring/Connector Code | WC1 |

MECHANICAL

| | |
|---------------|-------------------------|
| Weight | 1.2 oz [34 g] |
| Safe Overload | 150% of RO |
| Deflection | See chart on next page |
| Material | 17-4 PH stainless-steel |
| IP Rating | IP64 |

TEMPERATURE

| | |
|-------------------------|--|
| Operating Temperature | -60 to 250°F (-50 to 121°C) |
| Compensated Temperature | 60 to 250°F (15 to 121°C) |
| Temperature Shift Zero | ±0.01% of RO/°F (±0.018% of RO/°C) |
| Temperature Shift Span | ±0.02% of Load/°F (±0.036% of Load/°C) |

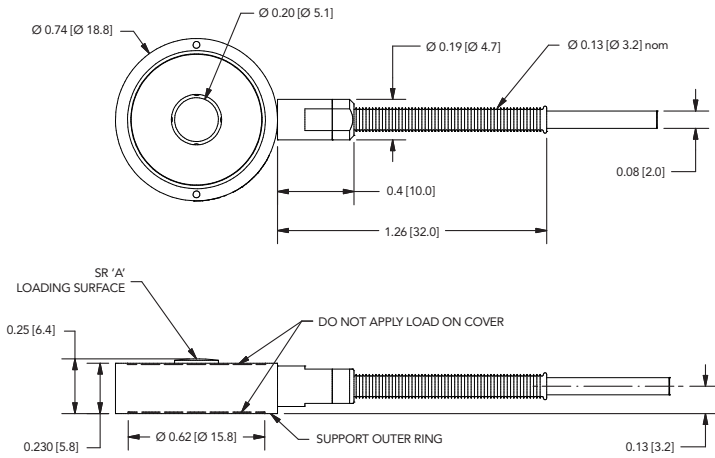
CALIBRATION

| | |
|-----------------------------|------------------|
| Calibration Test Excitation | 10 VDC |
| Calibration (std) | 5-pt Compression |
| Shunt Calibration Value | 100 kOhm |

CONFORMITY

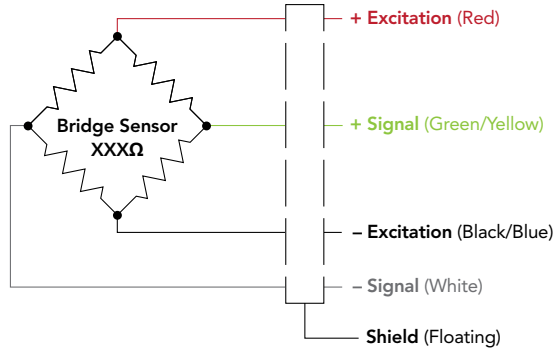
| | |
|------|------------------------------|
| RoHS | 2011/65/EU |
| CE | EN55011:2009; EN61326-1:2006 |

DIMENSIONS inches [mm]



WIRING CODE (WC1 WITH SHIELD)

| | |
|--------|--------------|
| RED | + EXCITATION |
| BLACK | - EXCITATION |
| GREEN | + SIGNAL |
| WHITE | - SIGNAL |
| SHIELD | FLOATING |



CAPACITIES

| ITEM # | lb | N | Deflection (in) | Natural Frequency (kHz) |
|----------|------|------|-----------------|-------------------------|
| FSH03939 | 25 | 111 | 0.0007 | 21 |
| FSH03954 | 50 | 222 | 0.0003 | 34 |
| FSH03955 | 100 | 445 | 0.0007 | 34 |
| FSH03938 | 250 | 1112 | 0.0004 | 52 |
| FSH03953 | 500 | 2224 | 0.0007 | 52 |
| FSH03937 | 1000 | 4448 | 0.001 | 58 |

Drawing Number: F11119-F

FUTEK reserves the right to modify its design and specifications without notice. Please visit <http://www.futek.com/salesterms> for complete terms and conditions.

10 Thomas, Irvine, CA 92618 USA

Tel: (949) 465-0900
Fax: (949) 465-0905

www.futek.com



R0HS



U.S. Manufacturer