

# FUTEK MODEL LLB355 (L1605)

# MINIATURE LOAD BUTTON W/ THREADED STUD

**Drawing Number: FI1247**

**INCH [mm] | R.O.= Rated Output**

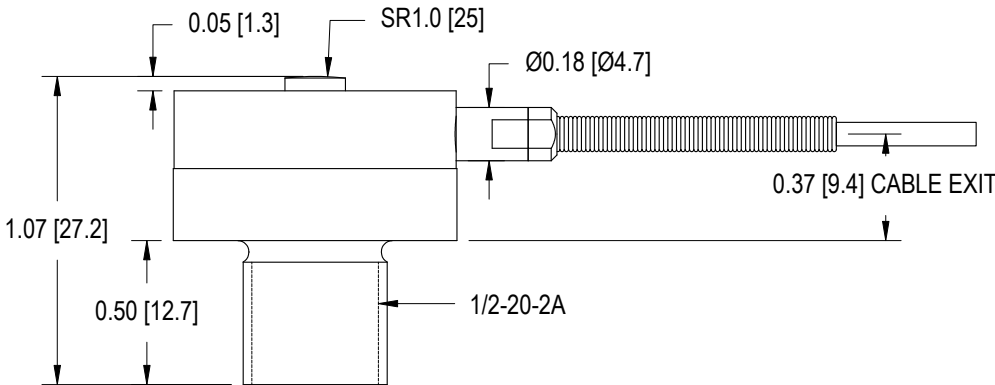
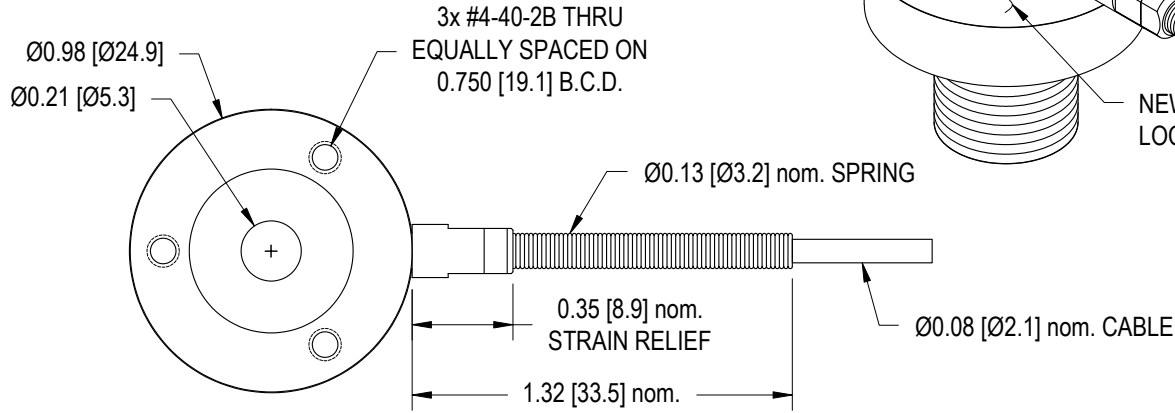
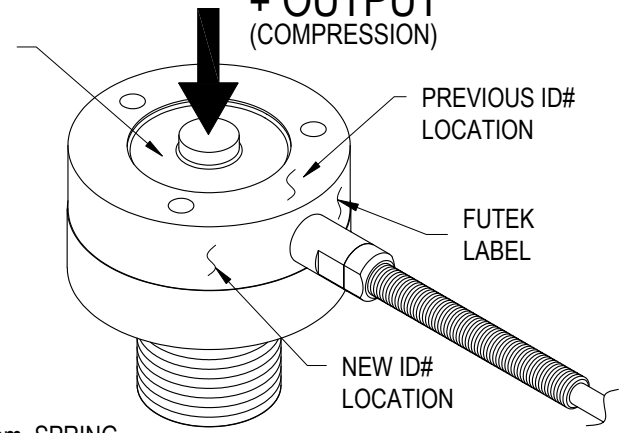
WIRING CODE (WC1)

+Excitation	-Excitation	+Signal	-Signal
RED	BLACK	GREEN	WHITE

Shield
FLOATING

NON LOADING SURFACE  
DO NOT CONTACT

**+ OUTPUT**  
(COMPRESSION)



## SPECIFICATIONS:

<b>RATED OUTPUT</b>	2 mV/V nom.
<b>SAFE OVERLOAD</b>	150% of R.O.
<b>ZERO BALANCE</b>	±3% of R.O.
<b>EXCITATION (VDC OR VAC)</b>	18 MAX
<b>BRIDGE RESISTANCE</b>	350 Ω nom.
<b>NONLINEARITY</b>	±0.5% of R.O.
<b>HYSTERESIS</b>	±0.5% of R.O.
<b>NONREPEATABILITY</b>	±0.1% of R.O.
<b>TEMP. SHIFT ZERO</b>	±0.01% of R.O./°F [0.018% of R.O./°C]
<b>TEMP. SHIFT SPAN</b>	±0.02% of LOAD/°F [0.036% of LOAD/°C]
<b>COMPENSATED TEMP.</b>	60 to 160°F [15 to 72°C]
<b>OPERATING TEMP.</b>	-60 to 200°F [-50 to 93°C]
<b>DEFLECTION</b>	0.003 [0.08] nom.
<b>WEIGHT</b>	0.7 oz [20 g], 2.1 oz [60 g] with threaded stud option
<b>MATERIAL</b>	17-4PH S.S.
<b>CABLE:</b>	#29 AWG, 4 Conductor, Spiral Shielded Teflon Cable 10 ft [3m] Long
<b>ACCESSORIES AND RELATED INSTRUMENTS AVAILABLE</b>	
<b>CALIBRATION (STD)</b>	5 pt. COMPRESSION; 60.4 K Ω SHUNT CAL. VALUE
<b>CALIBRATION TEST EXCITATION</b>	10 VDC

IMPROVED ACCURACY  
AVAILABLE CONTACT  
FACTORY

STK #	CAPACITIES	
	lb	N
FSH00853	25	111
FSH00854	50	222
FSH01498	100	445