

# FUTEK MODEL LLB455 (L1605)

# MINIATURE LOAD BUTTON W/ THREADED STUD

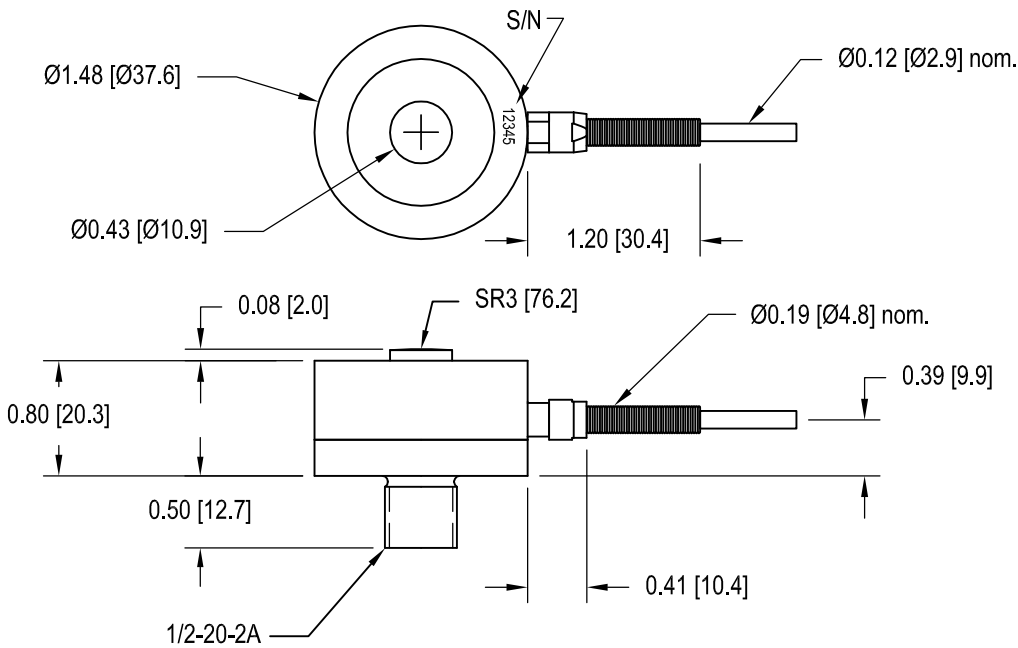
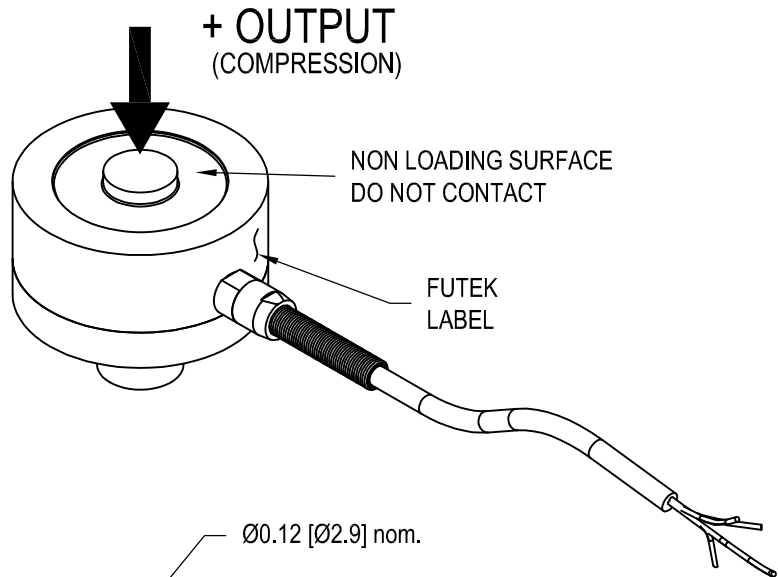
Drawing Number: FI1190-A

INCH [mm] | R.O.= Rated Output

WIRING CODE (WC1)

+Excitation	-Excitation	+Signal	-Signal
RED	BLACK	GREEN	WHITE

Shield
FLOATING



## SPECIFICATIONS:

RATED OUTPUT	2 mV/V nom.
SAFE OVERLOAD	150% of R.O.
ZERO BALANCE	±3% of R.O.
EXCITATION (VDC OR VAC)	18 MAX
BRIDGE RESISTANCE	700 $\Omega$ nom.
NONLINEARITY	±0.5% of R.O.
HYSTERESIS	±0.5% of R.O.
NONREPEATABILITY	±0.1% of R.O.
TEMP. SHIFT ZERO	±0.01% of R.O./°F [0.018% of R.O./°C]
TEMP. SHIFT SPAN	±0.02% of LOAD/°F [0.036% of LOAD/°C]
COMPENSATED TEMP.	60 to 160°F [15 to 72°C]
OPERATING TEMP.	-60 to 200°F [-50 to 93°C]
DEFLECTION	0.003 [0.08] nom.
MATERIAL	17-4PH S.S.
CABLE: #24 AWG, 4 Conductor, Braided Shield Teflon Cable 10 ft [3m] Long	
ACCESSORIES AND RELATED INSTRUMENTS AVAILABLE	
CALIBRATION (STD)	5 pt. COMPRESSION; 100K $\Omega$ SHUNT CAL. VALUE
CALIBRATION TEST EXCITATION	10 VDC

CAPACITIES		
ITEM #	lb	N
FSH00861	3K	13344
FSH00862	5K	22240
FSH00863	10K	44480