

Terms and Conditions of Use

This drawing, including all information depicted herein (collectively, "Drawing"), is FUTEK's property and protected under applicable law, including copyright. FUTEK reserves all rights. The Drawing is provided solely for your information and exclusive use. **Except as expressly approved by FUTEK in writing, you may not reproduce or share this Drawing**, in whole or part, with any other firm or individual, or attempt to reverse engineer the Drawing or data contained therein. Any reproduction of this Drawing in whole or part must include this legend.

By accessing the Drawing, you agree that you have read, understand, and agree to abide by the stated Terms and Conditions of Use.

© 2023 FUTEK Advanced Sensor Technology, Inc.



FEATURES

- Water Resistant and Outdoor Rated
- Compact Size
- Fast Response Rate (μs)
- 17-4 PH stainless-steel construction
- Environmental Protection, IP67 Rated
- Low power consumption
- Quick Disconnect Cable
- Includes bottom mounting provisions
- Notable non-linearity & non-repeatability

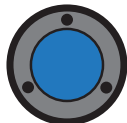
 Non-loading surface, do not contact

 Active End

 Fixed End



Top view



Bottom view



+ Output (compression)

SPECIFICATIONS

PERFORMANCE

Nonlinearity See chart on next page

Hysteresis See chart on next page

Nonrepeatability $\pm 0.1\%$ of RO

ELECTRICAL

Rated Output (RO) 2 mV/V nom

Excitation (VDC or VAC) 18 max

Bridge Resistance 700 Ohm nom

Insulation Resistance ≥ 500 MOhm @ 50 VDC

Connection 4 Position Micro Receptacle

Wiring/Connector Code CC19

MECHANICAL

Weight (approximate) 10.4 oz [294.8 g]

Safe Overload 150% of RO

Deflection See chart on next page

Material 17-4 PH stainless-steel

IP Rating IP67 (Micro Connector)

TEMPERATURE

Operating Temperature -60 to 200°F [-50 to 93°C]

Compensated Temperature 60 to 160°F [15 to 72°C]

Temperature Shift Zero $\pm 0.01\%$ of RO/ $^\circ\text{F}$ [0.018% of RO/ $^\circ\text{C}$]

Temperature Shift Span $\pm 0.005\%$ of LOAD/ $^\circ\text{F}$ [0.009% of LOAD/ $^\circ\text{C}$]

CALIBRATION

Calibration Test Excitation 10 VDC

Calibration (standard) 5-pt Compression

Shunt Calibration Value 100 kOhm

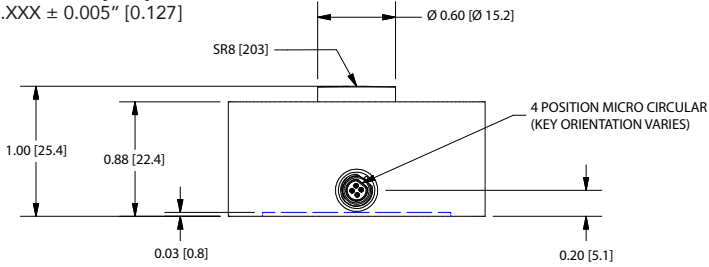
CONFORMITY

RoHS EU 2015/863

CE EN55011; EN61326-1

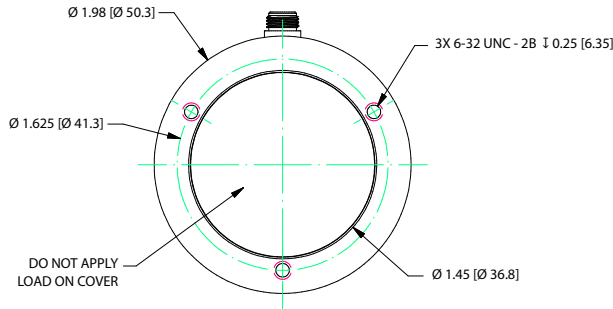
DIMENSIONS inches [mm]

TOLERANCE:
 .X ± 0.1" [2.5]
 .XX ± 0.01" [0.25]
 .XXX ± 0.005" [0.127]



FUTEK 4 PIN MICRO CIRCULAR (CC19)

1	+ EXCITATION	Red
2	- EXCITATION	Black
3	- SIGNAL	White
4	+ SIGNAL	Green



CAPACITIES

ITEM #	lb	N	Deflection (in)	Natural Frequency (kHz)	Nonlinearity (% of RO)	Hysteresis (% of RO)
FSH04543	15k	66720	0.0037	24	± 0.25%	± 0.25%
FSH04544	20k	88960	0.0041	25	± 0.25%	± 0.25%
FSH04545	30k	133440	0.0046	26	± 0.35%	± 0.35%

Drawing Number: FI1532

FUTEK reserves the right to modify its design and specifications without notice. Please visit www.futek.com/salesterms for complete terms and conditions.

10 Thomas, Irvine, CA 92618 USA
 Tel: (949) 465-0900

www.futek.com



R0HS



U.S. Manufacturer