

Terms and Conditions of Use

This drawing, including all information depicted herein (collectively, "Drawing"), is FUTEK's property and protected under applicable law, including copyright. FUTEK reserves all rights. The Drawing is provided solely for your information and exclusive use. **Except as expressly approved by FUTEK in writing, you may not reproduce or share this Drawing**, in whole or part, with any other firm or individual, or attempt to reverse engineer the Drawing or data contained therein. Any reproduction of this Drawing in whole or part must include this legend.

By accessing the Drawing, you agree that you have read, understand, and agree to abide by the stated Terms and Conditions of Use.

© 2023 FUTEK Advanced Sensor Technology, Inc.

High Capacity Load Button with Threaded/Tapped Holes



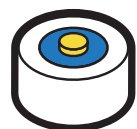
FEATURES

- Fast (μ s) response time
- 17-4 PH stainless-steel construction
- Environmental Protection, IP67 Rated
- Water Resistant and Outdoor Rated
- Low power consumption
- Quick Disconnect Cable
- Compact Size with bottom mounting provisions
- Notable non-linearity & non-repeatability

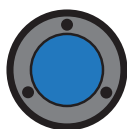
 Non-loading surface, do not contact

 Active End

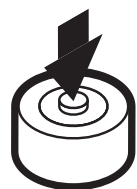
 Fixed End



Top view



Bottom view



+ Output (compression)

SPECIFICATIONS

PERFORMANCE

Nonlinearity $\pm 0.25\%$ of RO

Hysteresis $\pm 0.25\%$ of RO

Nonrepeatability $\pm 0.1\%$ of RO

ELECTRICAL

Rated Output (RO) 2 mV/V nom

Excitation (VDC or VAC) 18 max

Bridge Resistance 700 Ohm nom

Insulation Resistance ≥ 500 MOhm @ 50 VDC

Connection 4 Position Micro Receptacle

Wiring/Connector Code CC19

MECHANICAL

Weight (approximate) 40 oz [1.1 kg]

Safe Overload 150% of RO

Deflection 0.0058"

Material 17-4 PH stainless-steel

IP Rating IP67

TEMPERATURE

Operating Temperature -60 to 200°F [-50 to 93°C]

Compensated Temperature 60 to 160°F [15 to 72°C]

Temperature Shift Zero $\pm 0.005\%$ of RO/ $^{\circ}\text{F}$ [0.009% of RO/ $^{\circ}\text{C}$]

Temperature Shift Span $\pm 0.005\%$ of LOAD/ $^{\circ}\text{F}$ [0.009% of LOAD/ $^{\circ}\text{C}$]

CALIBRATION

Calibration Test Excitation 10 VDC

Calibration (standard) 5-pt Compression

Shunt Calibration Value 100 kOhm

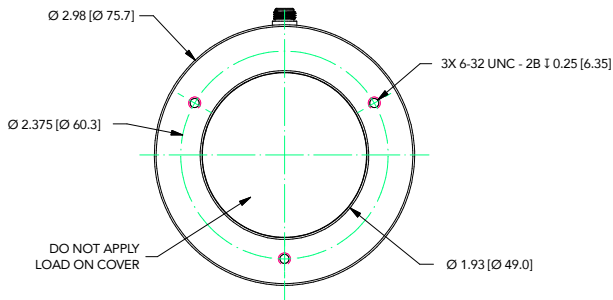
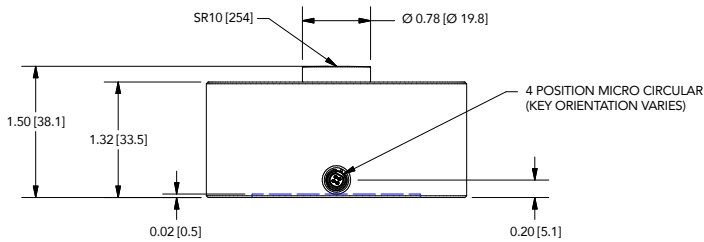
CONFORMITY

RoHS EU 2015/863

CE EN55011; EN61326-1

DIMENSIONS inches [mm]

TOLERANCE:
 .X ± 0.1" [2.5 mm]
 .XX ± 0.01" [0.25 mm]
 .XXX ± 0.005" [0.127 mm]



FUTEK 4 PIN MICRO CIRCULAR (CC19)

1	+ EXCITATION	Red
2	- EXCITATION	Black
3	- SIGNAL	White
4	+ SIGNAL	Green



CAPACITIES

ITEM #	lb	N	FZ Deflection (in)	Natural Frequency (kHz)
FSH04536	50k	222400	0.0058	22.7

Drawing Number: F11533

FUTEK reserves the right to modify its design and specifications without notice. Please visit www.futek.com/salesterms for complete terms and conditions.

10 Thomas, Irvine, CA 92618 USA
 Tel: (949) 465-0900

www.futek.com



RoHS



U.S. Manufacturer