

Terms and Conditions of Use

This drawing, including all information depicted herein (collectively, "Drawing"), is FUTEK's property and protected under applicable law, including copyright. FUTEK reserves all rights. The Drawing is provided solely for your information and exclusive use. **Except as expressly approved by FUTEK in writing, you may not reproduce or share this Drawing**, in whole or part, with any other firm or individual, or attempt to reverse engineer the Drawing or data contained therein. Any reproduction of this Drawing in whole or part must include this legend.

By accessing the Drawing, you agree that you have read, understand, and agree to abide by the stated Terms and Conditions of Use.

© 2023 FUTEK Advanced Sensor Technology, Inc.

FUTEK MODEL LMD500
STK# FSH00127

HAND GRIPPER

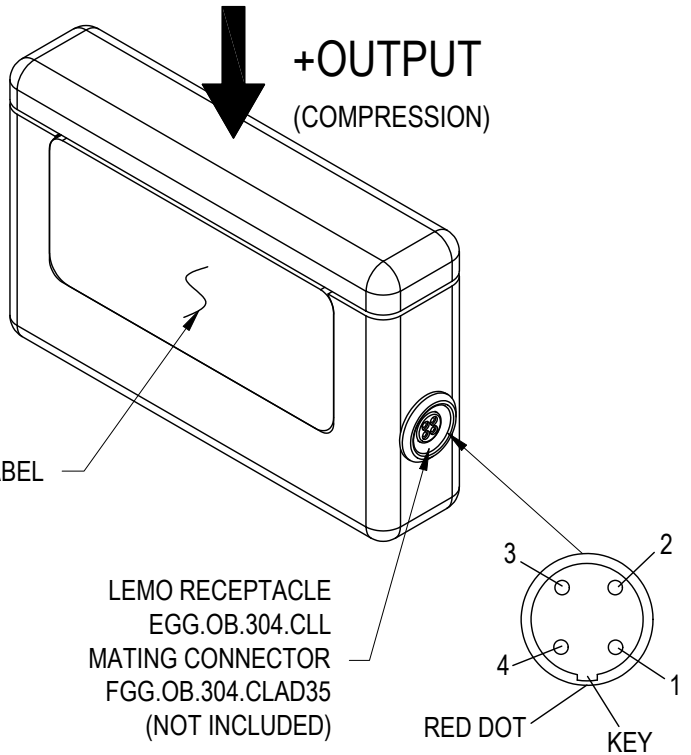
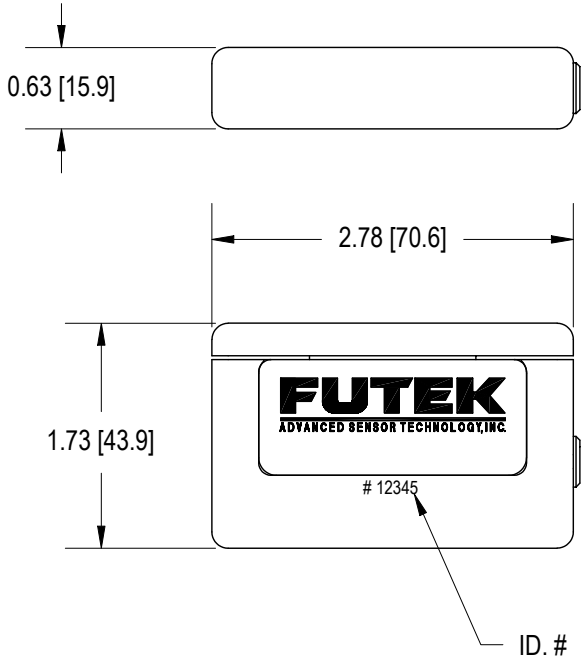
(Previously L1000)

Drawing Number: FI1118-A

INCH (mm) | R.O.= Rated Output

WIRING CODE (CC4)

+Excitation	-Excitation	+Signal	-Signal
1	4	2	3



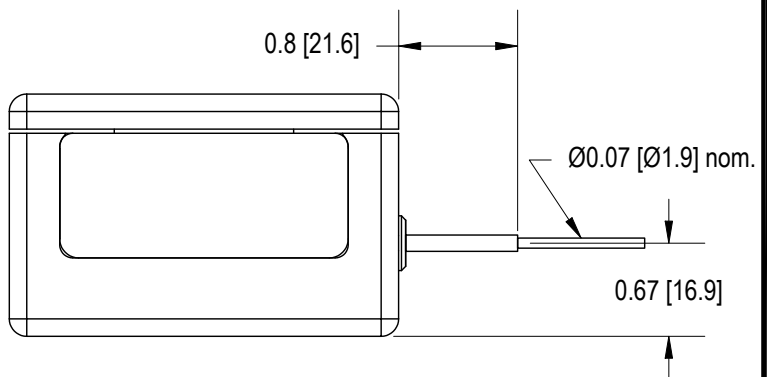
LEMO RECEPTACLE
EGG.OB.304.CLL
MATING CONNECTOR
FGG.OB.304.CLAD35
(NOT INCLUDED)

RED DOT
KEY

Cable Option - STK# FSH00125
#29 AWG, 4 Conductor, Spiral Shielded Teflon Cable, 10 ft (3 m)

WIRING CODE (WC1)

+Excitation	-Excitation	+Signal	-Signal
RED	BLACK	GREEN	WHITE



SPECIFICATIONS:

RATED OUTPUT	3 mV/V nom.
CAPACITY lb	300
N	1334
SAFE OVERLOAD	150% of R.O.
ZERO BALANCE	±3% of R.O.
EXCITATION (VDC OR VAC)	18 MAX
BRIDGE RESISTANCE	350 Ω nom.
NONLINEARITY	±0.25% of R.O.
HYSTERESIS	±0.25% of R.O.
TEMP. SHIFT ZERO	±0.02% of R.O./°F [0.036% of R.O./°C]
TEMP. SHIFT SPAN	±0.02% of LOAD/°F [0.036% of LOAD/°C]
COMPENSATED TEMP.	60 to 160°F [15 to 72°C]
OPERATING TEMP.	-60 to 200°F [-50 to 93°C]
WEIGHT	3.6 oz [102 g]
MATERIAL	ALUMINUM
DEFLECTION	0.002 [0.05] nom.
CONNECTOR: 4 PIN LEMO RECEPTACLE (EGG.OB.304.CLL)	
ACCESSORIES AND RELATED INSTRUMENTS AVAILABLE	
CALIBRATION (STD)	2 pt. COMPRESSION; 43.575KΩ SHUNT CAL. VALUE
CALIBRATION TEST EXCITATION	10 VDC

FUTEK

This drawing, including all information depicted herein (collectively, "Drawing"), is FUTEK's property and protected under applicable law, including copyright. FUTEK reserves all rights. The Drawing is provided solely for your information and exclusive use. Except as expressly approved by FUTEK in writing, you may not reproduce or share this Drawing in whole or part, with any other firm or individual, or attempt to reverse engineer the Drawing or data contained therein. Any reproduction of this Drawing in whole or part must include this legend.

10 THOMAS
IRVINE, CA 92618 USA
1-800-23-FUTEK (38835)

INTERNET:
<http://www.futek.com>