

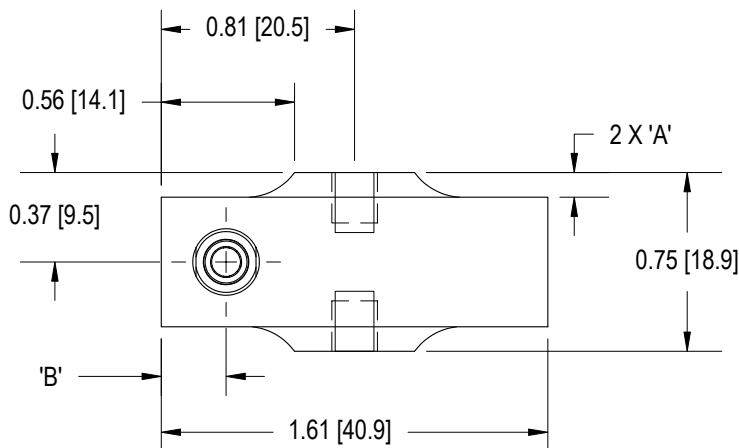
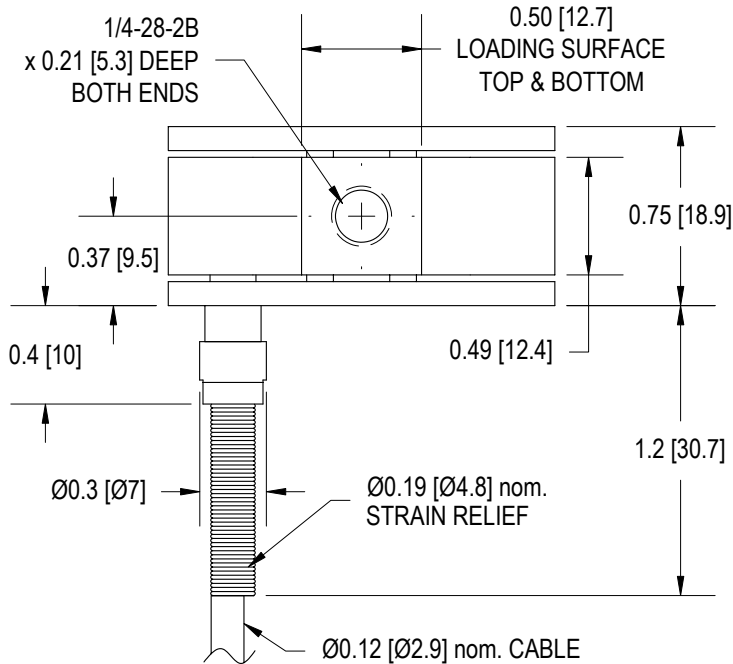
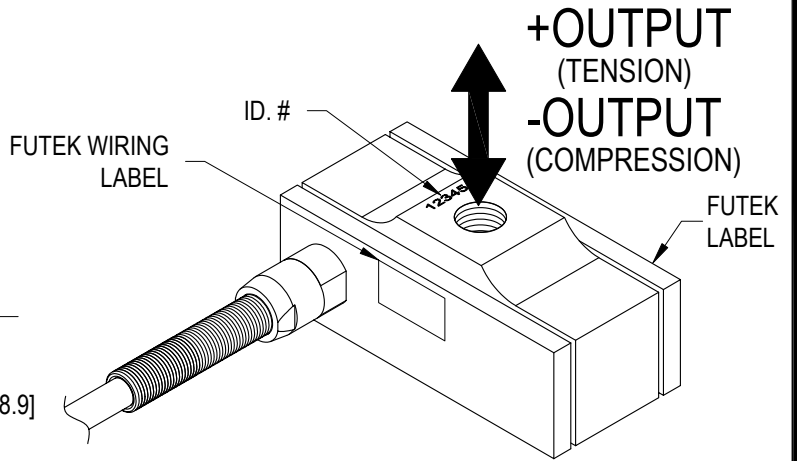
FUTEK MODEL LRF325 (L2320) *LOW PROFILE TENSION AND COMPRESSION LOAD CELL*

Drawing Number: F11069-A

INCH [mm] | R.O.= Rated Output

WIRING CODE (WC1)			
+Excitation RED	-Excitation BLACK	+Signal GREEN	-Signal WHITE

Shield
FLOATING



STK#	CAPACITY		A	B
	lb	N		
FSH00073	25	111	0.10 [2.5]	0.27 [6.9]
FSH00074	50	222		0.29 [7.4]
FSH00075	75	334	0.09 [2.3]	0.30 [7.6]
FSH00076	100	445	0.07 [1.8]	0.31 [7.9]

SPECIFICATIONS:

RATED OUTPUT	2 mV/V nom.
SAFE OVERLOAD	150% of R.O.
ZERO BALANCE	±1% of R.O.
EXCITATION (VDC OR VAC)	15 MAX
BRIDGE RESISTANCE	350 Ω nom.
NONLINEARITY	±0.1% of R.O.
HYSTERESIS	±0.1% of R.O.
NONREPEATABILITY	±0.05% of R.O.
CREEP	±0.05% of LOAD
TEMP. SHIFT ZERO	±0.005% of R.O./°F [0.01% of R.O./°C]
TEMP. SHIFT SPAN	±0.005% of LOAD/°F [0.01% of LOAD/°C]

COMPENSATED TEMP.	60 to 160°F [15 to 72°C]
OPERATING TEMP.	-60 to 200°F [-50 to 93°C]
WEIGHT	1.8oz [51g]
MATERIAL	ALUMINUM
DEFLECTION	0.002 [0.05] nom.
CABLE: #28 AWG, 4 Conductor, Spiral Shielded Clear PVC Cable 10 ft [3 m] Long	
ACCESSORIES AND RELATED INSTRUMENTS AVAILABLE	
CERTIFICATE OF CONFORMANCE (STD)	TENSION
CALIBRATION (AVAILABLE)	5 pt. TENSION/COMPRESSION
	60.4 K Ω SHUNT CAL. VALUE
CALIBRATION TEST EXCITATION	10 VDC

FUTEK
ADVANCED SENSOR TECHNOLOGY, INC.

This drawing is submitted solely for the information and exclusive use of the original addressee. It is not to be divulged in whole or in part, by any firm or individual without written permission from FUTEK

10 THOMAS
IRVINE, CA 92618 USA
1-800-23-FUTEK (38835)

INTERNET:
<http://www.futek.com>