

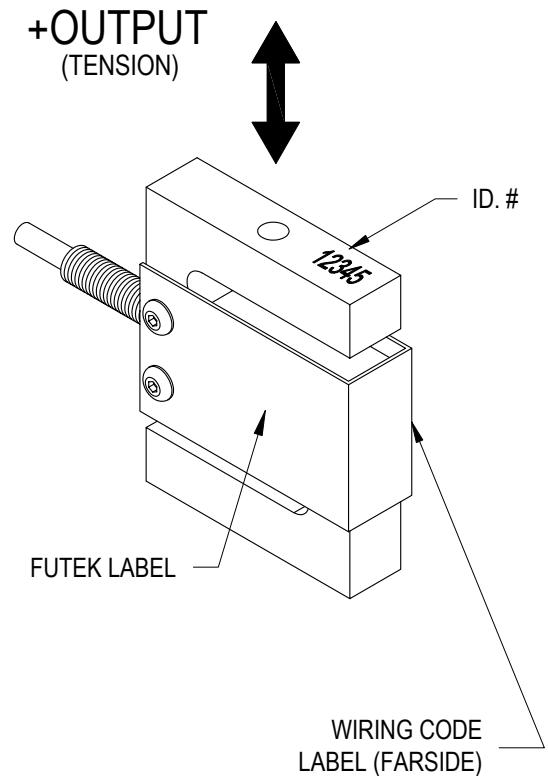
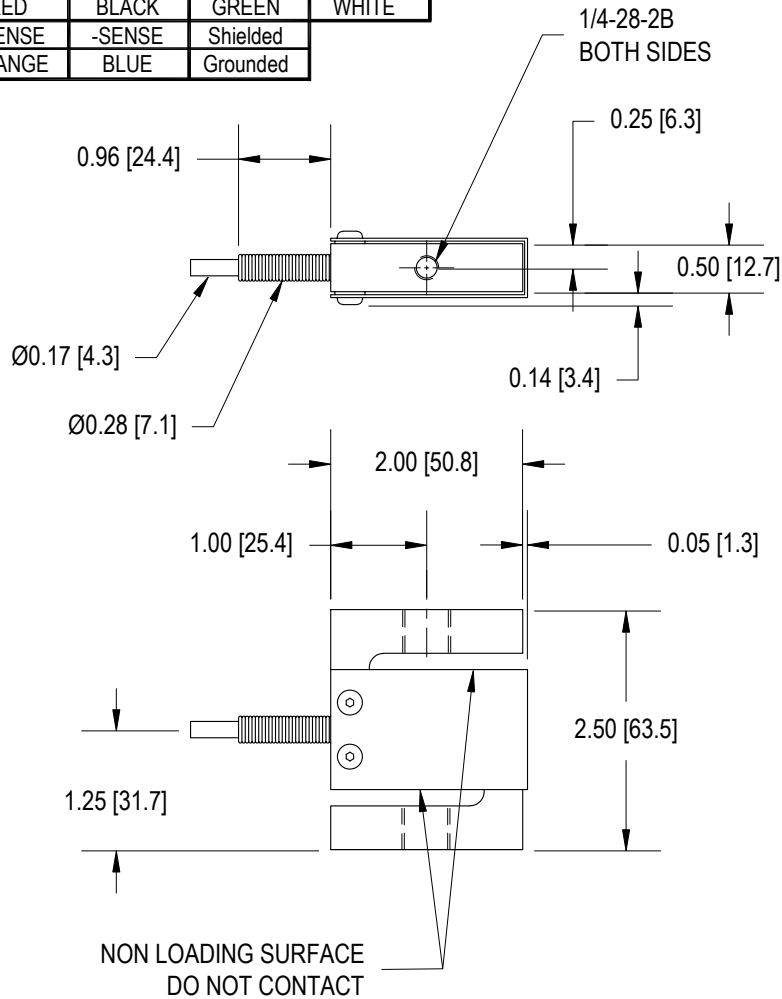
# FUTEK MODEL LSB303

# 3mV/V S-BEAM LOAD CELL IN TENSION AND COMPRESSION (Previously L2361)

Drawing Number: F11076-B

INCH [mm] R.O.= Rated Output

WIRING CODE (WC4)			
+Excitation	-Excitation	+Signal	-Signal
RED	BLACK	GREEN	WHITE
+SENSE	-SENSE	Shielded	
ORANGE	BLUE	Grounded	



## SPECIFICATIONS:

<b>RATED OUTPUT</b>	3 mV/V nom. (Matched Output Optional)
<b>SAFE OVERLOAD</b>	150% of R.O.
<b>ZERO BALANCE</b>	±1% of R.O.
<b>EXCITATION (VDC OR VAC)</b>	18 MAX
<b>BRIDGE RESISTANCE</b>	350 Ω nom.
<b>NONLINEARITY</b>	±0.05% of R.O.
<b>HYSTERESIS</b>	±0.05% of R.O.
<b>NONREPEATABILITY</b>	±0.01% of R.O.
<b>TEMP. SHIFT ZERO</b>	±0.001% of R.O./°F [0.0018% of R.O./°C]
<b>TEMP. SHIFT SPAN</b>	±0.0008% of LOAD/°F [0.0014% of LOAD/°C]
<b>COMPENSATED TEMP.</b>	60 to 160°F [15 to 72°C]
<b>OPERATING TEMP.</b>	-40 to 200°F [-40 to 93°C]
<b>MATERIAL</b>	17-4 PH S.S.
<b>CABLE:</b>	#28 AWG, 6 Conductor, Spiral Shielded Polyurethane Cable 5 ft [1.5m] Long
<b>ACCESSORIES AND RELATED INSTRUMENTS AVAILABLE</b>	
<b>CALIBRATION (STD)</b>	5 pt. TENSION; 43.575K Ω. SHUNT CAL. VALUE
<b>CALIBRATION (AVAILABLE)</b>	COMPRESSION
<b>CALIBRATION TEST EXCITATION</b>	10 VDC

STK#	CAPACITIES	
	lb	N
FSH02090	10	45
FSH02091	25	111
FSH02092	50	222
FSH02093	100	445
FSH02094	200	890
FSH02095	300	1334