

FUTEK MODEL LSB600

TENSION AND COMPRESSION CYLINDRICAL LOAD CELL

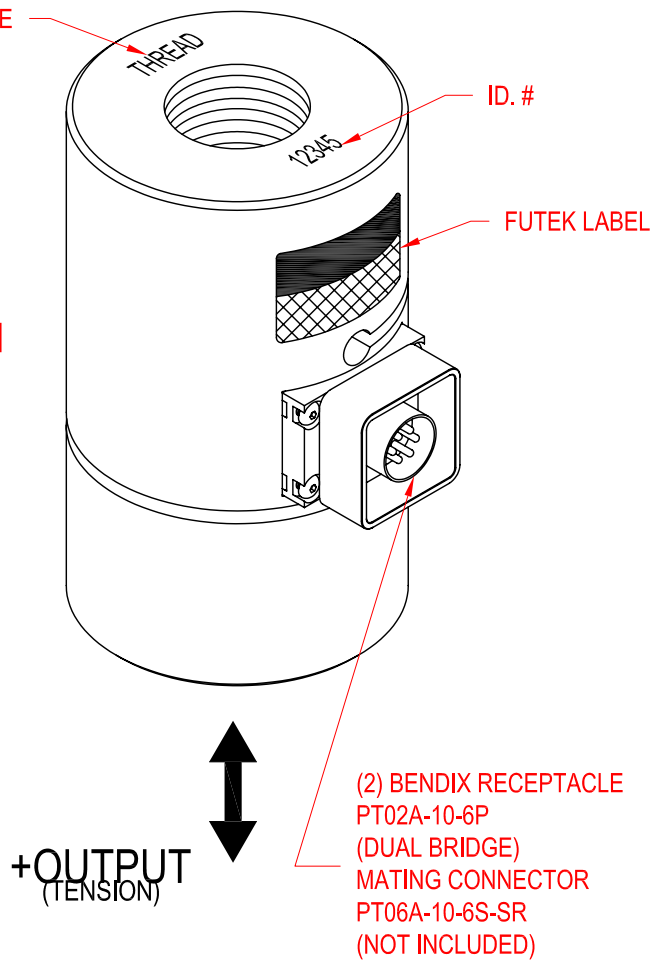
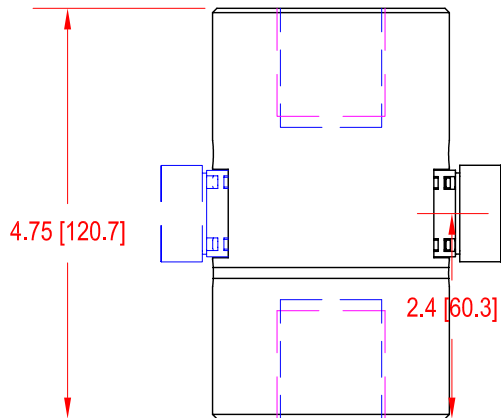
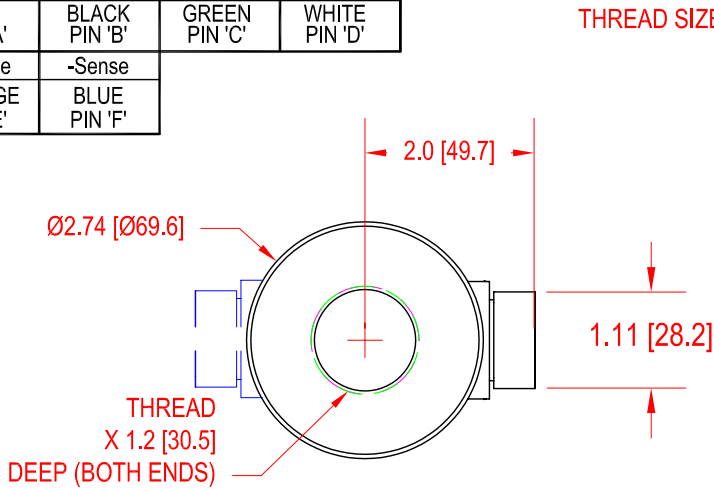
(Previously L2355/L2356)

Drawing Number: FI1081-A

INCH [mm] | R.O.= Rated Output

WIRING CODE (CC1)

+Excitation	-Excitation	+Signal	-Signal
RED PIN 'A'	BLACK PIN 'B'	GREEN PIN 'C'	WHITE PIN 'D'
+Sense	-Sense		
ORANGE PIN 'E'	BLUE PIN 'F'		



SPECIFICATIONS:

RATED OUTPUT	2 mV/V nom.
SAFE OVERLOAD	150% of R.O.
ZERO BALANCE	±1% of R.O.
EXCITATION (VDC OR VAC)	18 MAX
BRIDGE RESISTANCE	350 Ω nom.
NONLINEARITY	±0.1% of R.O.
HYSTERESIS	±0.1% of R.O.
NONREPEATABILITY	±0.05% of R.O.
CREEP	±0.05% of LOAD
TEMP. SHIFT ZERO	±0.005% of R.O./°F [0.01% of R.O./°C]
TEMP. SHIFT SPAN	±0.005% of LOAD/°F [0.01% of LOAD/°C]
COMPENSATED TEMP.	60 to 160°F [15 to 72°C]
OPERATING TEMP.	-60 to 200°F [-50 to 93°C]
WEIGHT	7 lb [3.2 Kg]
MATERIAL	17-4PH S.S.
DEFLECTION	0.005 [0.25] nom.
CONNECTOR: (2) 6 Pin BENDIX Receptacle (PT02A-10-6P)	
ACCESSORIES AND RELATED INSTRUMENTS AVAILABLE	
CALIBRATION (STD)	5 pt TENSION; 60.4 KΩ SHUT CAL. VALUE
CALIBRATION (AVAILABLE)	COMPRESSION
CALIBRATION TEST EXCITATION	10 VDC

ITEM#	CAPACITIES		THREAD	TEDS	DUAL BRIDGE
	lb	N			
FSH00110	10000	44480	M36 X 3		
FSH00108			1 1/4-12	X	
FSH03183					X
FSH03326	25000	111200	M36 X 3		
FSH00111			1 1/4-12	X	
FSH00109					X
FSH02461					X
FSH03317					X