

FUTEK MODEL LSM302 (L2337)

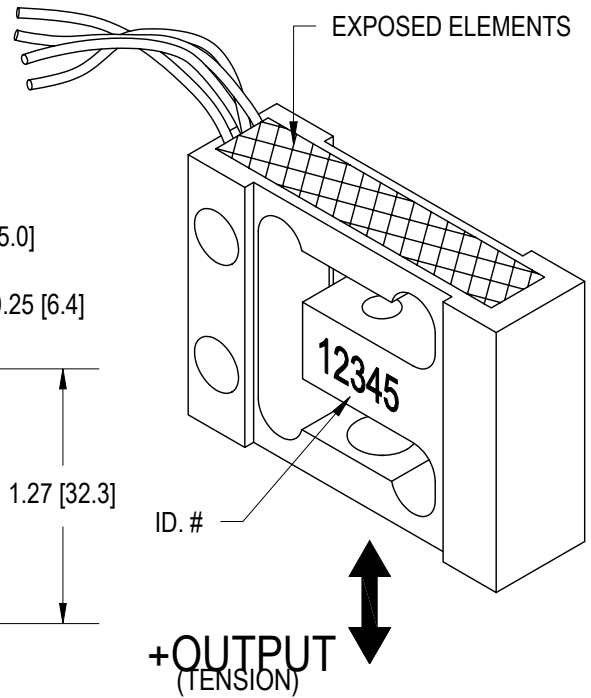
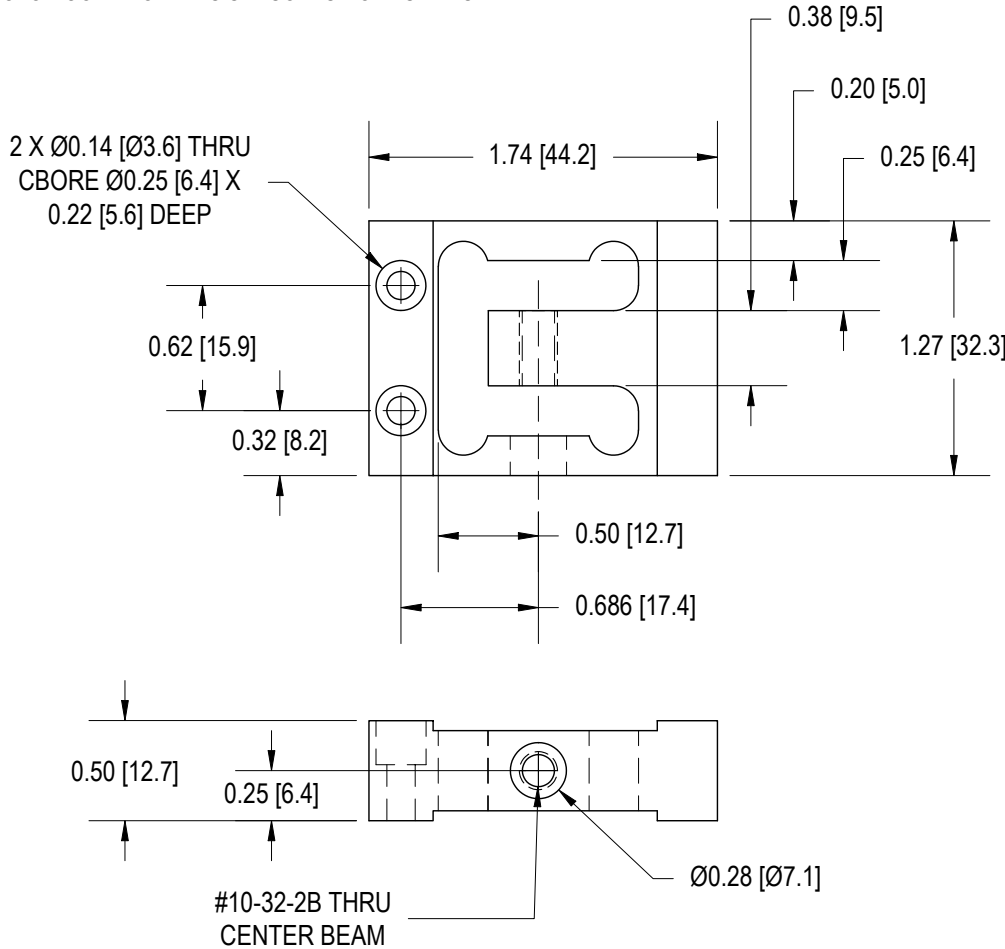
PARALLELOGRAM LOAD CELL (OEM TYPE)

Drawing Number: FI1212-A

INCH [mm] | R.O. = Rated Output

WIRING CODE (WC2)			
+Excitation	-Excitation	+Signal	-Signal
GREEN	BLACK	WHITE	RED

COLOR CODE FOR THIS SENSOR IS NOT FUTEK STANDARD



FOR LOWER CAPACITIES REFER TO MODEL LSM250 (L2331)

SPECIFICATIONS:

RATED OUTPUT	2 mV/V nom.
SAFE OVERLOAD	150% of R.O.
ZERO BALANCE	±3% of R.O.
EXCITATION (VDC OR VAC)	18 MAX
BRIDGE RESISTANCE	1000 Ω nom.
NONLINEARITY	±0.2% of R.O.
HYSTERESIS	±0.2% of R.O.
NONREPEATABILITY	±0.05% of R.O.
TEMP. SHIFT ZERO	±0.02% of R.O./°F [0.036% of R.O./°C]
TEMP. SHIFT SPAN	±0.02% of LOAD/°F [0.036% of LOAD/°C]
COMPENSATED TEMP.	60 to 160°F [15 to 72°C]
OPERATING TEMP.	-60 to 200°F [-50 to 93°C]
WEIGHT	1 to 3 oz [28 to 85 g]
MATERIAL	Aluminum
DEFLECTION	SEE CHART
CABLE: #29 AWG, 4 Conductor, Spiral Teflon Cable 6 in. [152.4] Long	
ACCESSORIES AND RELATED INSTRUMENTS AVAILABLE	
CALIBRATION (AVAILABLE) 5 pt TENSION / COMPRESSION; 150K Ω SHUNT CAL. VALUE	
CALIBRATION TEST EXCITATION 10 VDC	

STK#	CAPACITY		NOM. DEFLECTION
	lb	N	
FSH00112	2.2	9.8	0.011 [0.28]
FSH00118	5	22.2	
FSH00114	10	44.5	0.007 [0.18]
FSH00115	25	111	
FSH00116	50	222	
FSH00117	100	445	

FOR MODELS WITH OVERLOAD PROTECTION
REFER TO LSM300 (L2330)