

# FUTEK MODEL LTH900

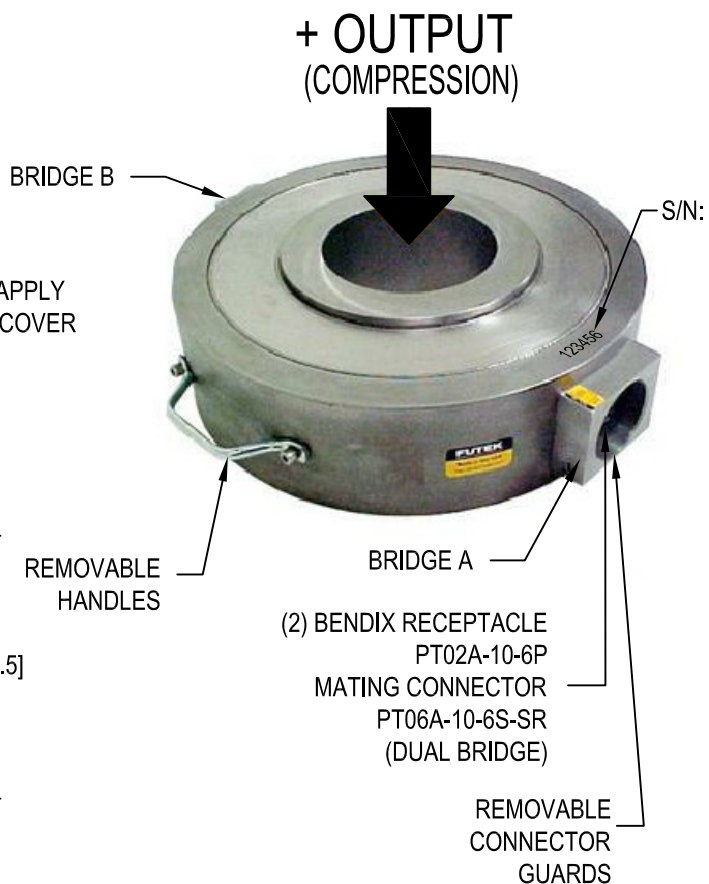
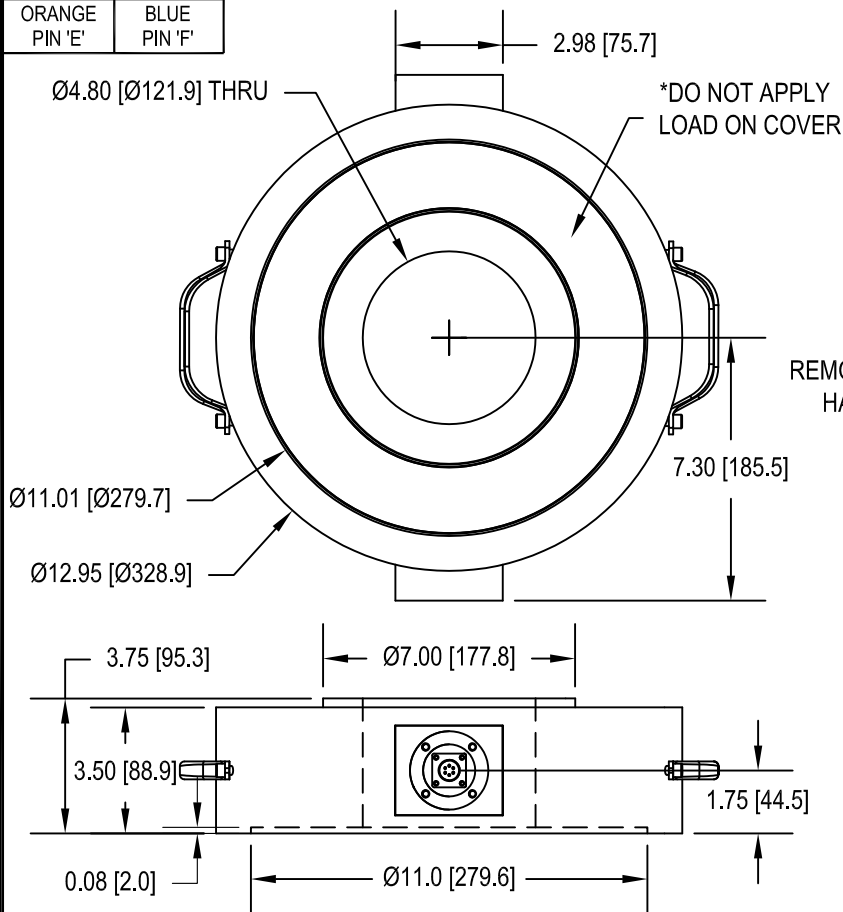
## LOW PROFILE COMPRESSION DONUT / THRU HOLE LOAD CELL

Drawing Number: F11326

INCH [mm] | R.O.= Rated Output

WIRING CODE (CC1)

+Excitation	-Excitation	+Signal	-Signal
RED PIN 'A'	BLACK PIN 'B'	GREEN PIN 'C'	WHITE PIN 'D'
+Sense	-Sense		
ORANGE PIN 'E'	BLUE PIN 'F'		



### SPECIFICATIONS:

RATED OUTPUT	3 mV/V nom.
CAPACITY	600000 lb
SAFE OVERLOAD	150% of R.O.
ZERO BALANCE	±2% of R.O.
EXCITATION (VDC OR VAC)	20 MAX
BRIDGE RESISTANCE	350Ω nom.
NONLINEARITY	±0.2% of R.O.
HYSTERESIS	±0.2% of R.O.
NONREPEATABILITY	±0.1% of R.O.
TEMP. SHIFT ZERO	±0.01% of R.O./°F
TEMP. SHIFT SPAN	±0.01% of LOAD/°F
COMPENSATED TEMP.	60 to 160°F
OPERATING TEMP.	-60 to 200°F
WEIGHT	85 lb
MATERIAL	17-4ph S.S.
CONNECTOR: (2) 6 Pin BENDIX Receptacle (PT02A-10-6P)	
CALIBRATION (STD)	5 pt COMPRESSION TO 400 Kib 43.575 KΩ SHUNT CAL VALUE
CALIBRATION (AVAILABLE)	5 pt COMPRESSION TO 600 Kib
CALIBRATION TEST EXCITATION	10 VDC

**FUTEK**  
ADVANCED SENSOR TECHNOLOGY, INC.

This drawing is submitted solely for the information and exclusive use of the original addressee. It is not to be divulged in whole or in part, by any firm or individual without written permission from FUTEK

10 THOMAS  
IRVINE, CA 92618 USA  
1-800-23-FUTEK (38835)

INTERNET:  
<http://www.futek.com>