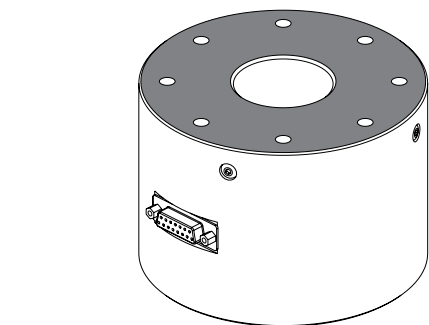
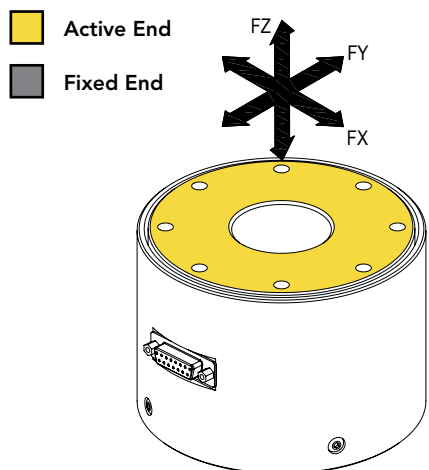




**FEATURES**

- Can support simultaneous force measurements on the X, Y, Z axes
- Used for wind tunnel model applications
- Used for triaxial dynamometer applications for motion studies



**SPECIFICATIONS**

**PERFORMANCE**

Capacity	Ch Fx 2500 lb; Ch Fy 2500 lb; Ch Fz 5000 lb
Nonlinearity	±0.5% of RO
Hysteresis	±0.5% of RO
Nonrepeatability	±0.2% of RO

**ELECTRICAL**

Rated Output (RO)	1.50 mV/V nom (Fx, Fy) 0.75 mV/V nom (Fz)
Excitation (VDC or VAC)	18 max
Bridge Resistance	350 Ohm (Fx, Fy) 700 Ohm (Fz)
Insulation Resistance	≥500 MOhm @ 50 VDC
Connection	DB15 Female
Connector Code	CC9

**MECHANICAL**

Weight (approximate)	8 lb [3.6 kg]
Safe Overload	150% of RO
Material	17-4 PH stainless-steel
IP Rating	IP40

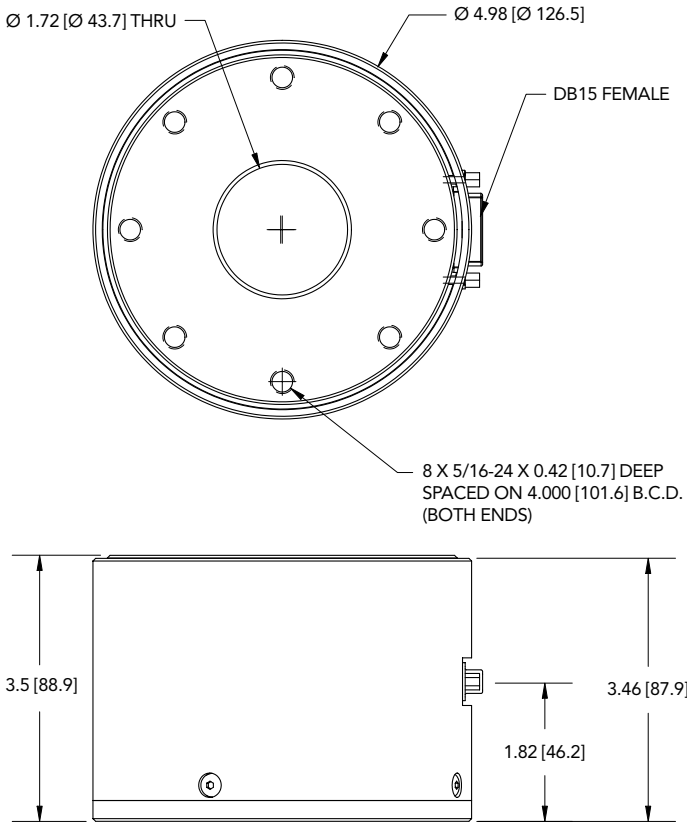
**TEMPERATURE**

Operating Temperature	0 to 160°F (-17 to 71°C)
Compensated Temperature	60 to 160°F (15 to 72°C)
Temperature Shift Zero	±0.02% of RO/°F (0.036% of RO/°C)
Temperature Shift Span	±0.02% of Load/°F (0.036% of Load/°C)

**CALIBRATION**

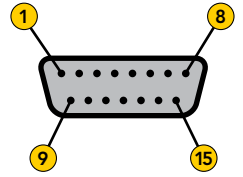
Calibration Test Excitation	10 VDC
Calibration (standard)	5-pt Compression
Calibration (available)	Tension and Compression
Shunt Calibration Value	75 kOhm (Fx, Fy) 200 kOhm (Fz)

**DIMENSIONS** inches [mm]



**DB15 FEMALE (CC9)**

PIN	DESCRIPTION	CH
1	+ Excitation	
2	- Excitation	
3	- Signal	FX
4	+ Signal	
5	+ Excitation	
6	- Excitation	FY
7	- Signal	
8	+ Signal	
9	+ Excitation	
10	- Excitation	FZ
11	- Signal	
12	+ Signal	



**CAPACITY**

lb	Deflection (in)	Natural Frequency (Hz)
F <sub>x</sub> - 2500	0.003	1600
F <sub>y</sub> - 2500	0.003	1600
F <sub>z</sub> - 5000	0.001	4000

Drawing Number: FI1469

FUTEK reserves the right to modify its design and specifications without notice. Please visit [www.futek.com/salesterms](http://www.futek.com/salesterms) for complete terms and conditions.

10 Thomas, Irvine, CA 92618 USA

Tel: (949) 465-0900

Fax: (949) 465-0905

[www.futek.com](http://www.futek.com)



U.S. Manufacturer