

FUTEK MODEL PFP300

Drawing Number: FI1157-B

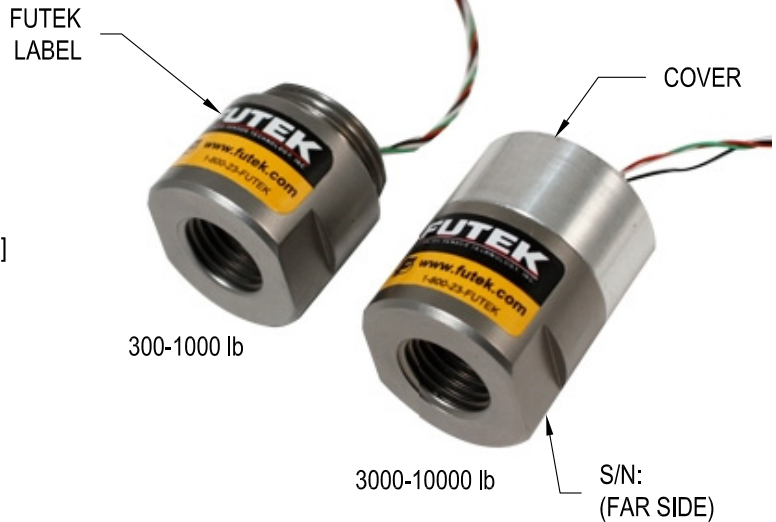
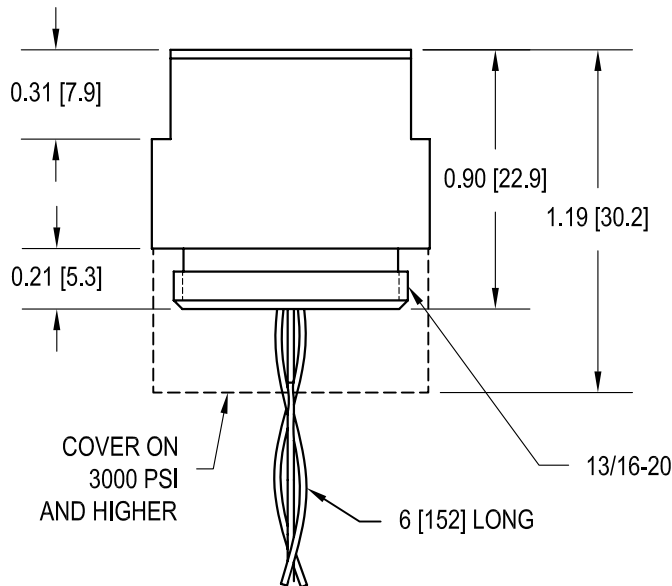
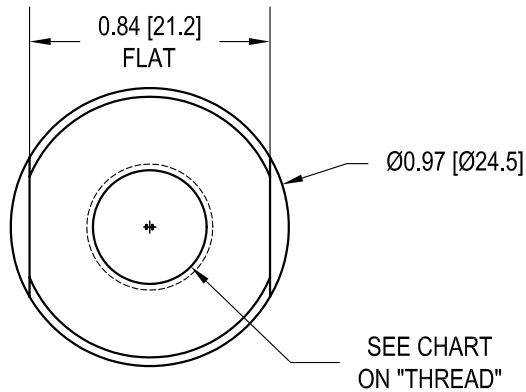
INCH [mm] | R.O.= Rated Output

WIRING CODE (WC1)

+Excitation	-Excitation	+Signal	-Signal
RED	BLACK	GREEN	WHITE

PRESSURE PLUG (OEM)

(Previously P4010)



SPECIFICATIONS:

RATED OUTPUT	2 mV/V nom.
SAFE OVERLOAD	150% of R.O.
ZERO BALANCE	±1% of R.O.
EXCITATION (VDC OR VAC)	18 MAX
BRIDGE RESISTANCE	350 Ω nom.
NONLINEARITY	±0.5% of R.O.
HYSTERESIS	±0.5% of R.O.
NONREPEATABILITY	±0.1% of R.O.
TEMP. SHIFT ZERO	±0.02% of R.O./°F [0.036% of R.O./°C]
TEMP. SHIFT SPAN	±0.02% of LOAD/°F [0.036% of LOAD/°C]
COMPENSATED TEMP.	60 to 160°F [15 to 72°C]
OPERATING TEMP.	-60 to 250°F [-50 to 121°C]
WEIGHT	2.0 oz [54 g], 2.1 oz [60 g] with cover
WETTED MATERIAL	17-4PH S.S.
CABLE: #29 AWG, 4 Conductor, Spiral Teflon Cable 6 in [152.4 mm] Long	
ACCESSORIES AND RELATED INSTRUMENTS AVAILABLE	
CALIBRATION (INCLUDED)	2pt. (5pt. AVAILABLE) 60.4K Ω SHUNT CAL. VALUE.
CALIBRATION TEST EXCITATION	10 VDC

STK#	CAPACITIES		THREAD
	PSI	BAR	
FSH00795	300	20.7	1/4-18 NPT
FSH03310			7/16-20
FSH00796	500	34.5	1/4-18 NPT
FSH03311			7/16-20
FSH00797	1000	69.0	1/4-18 NPT
FSH03312			7/16-20
FSH00798	3000	206.8	1/4-18 NPT
FSH00799	5000	344.7	1/4-18 NPT
FSH00800	7500	517.1	
FSH00801	10000	689.5	