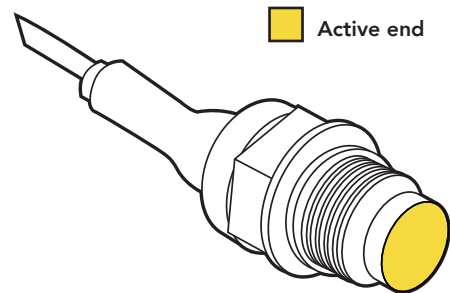




FEATURES

- Miniature size
- Incredibly fast
- Flush mount
- Unamplified out mV range
- Supported by all FUTEK instruments and electronics



SPECIFICATIONS

PERFORMANCE

Nonlinearity	±0.4% of RO BFSL; ±0.8% of RO End Point
Hysteresis	±0.2% of RO BFSL; ±0.4% of RO End Point
Nonrepeatability	±0.02% of RO typ
Natural Frequency	From 6 kHz (225 PSI) to 100 kHz (10000 PSI)

ELECTRICAL

Rated Output (RO)	1-2 mV/V nom
Excitation (VDC or VAC)	7 max
Bridge Resistance	350 Ohm nom
Insulation Resistance	>1000 MOhm @50 VDC and 20°C
Connection	#29 AWG, 4 conductor, spiral shielded silicone cable, 5 ft [1.5 m] long
Wiring Code	WC1

MECHANICAL

Weight	< 10 g without cable
Safe Overload	150% of RO
Material	17-4 PH stainless-steel (Wetted/Body)
Recommended Mounting Torque	5 Nm max
IP Rating	IP65

TEMPERATURE

Operating Temperature	-40 to 194°F [-40 to +90°C]
Compensated Temperature	32 to 140°F [0 to 60°C]
Temperature Shift Zero	±0.02% of RO/°F [±0.036% of RO/°C]
Temperature Shift Span	±0.02% of RO/°F [±0.036% of RO/°C]

ENVIRONMENTAL

Shock	100 G'S 1/2 SINUSOIDAL - 1 ms
Vibration	±0.02 of RO/G (20-2000 Hz, 50 G max)
EMI/RFI	EN61000

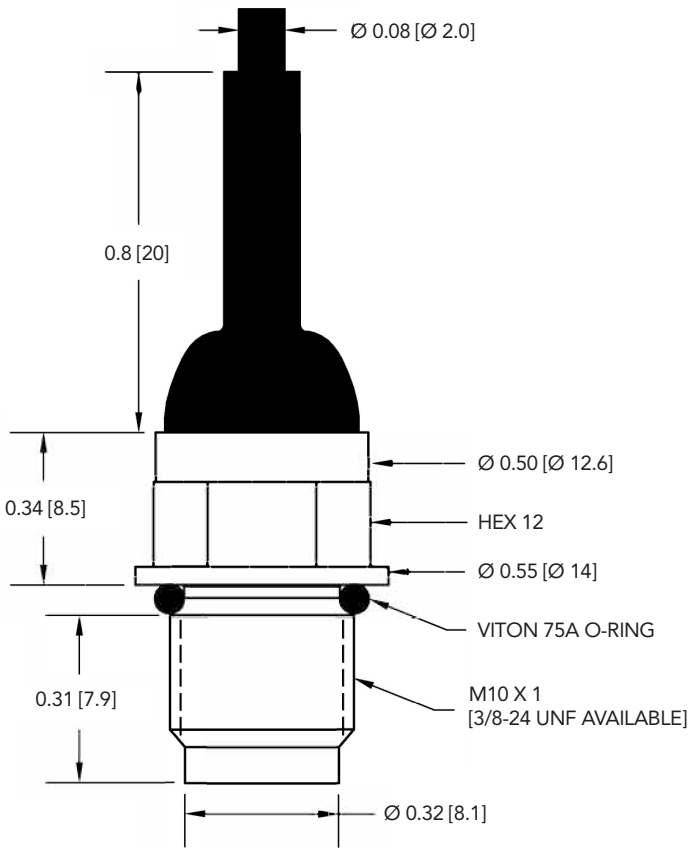
CALIBRATION

Calibration (standard)	Certificate of Conformance
Calibration (available)	5-pt pressure

CONFORMITY

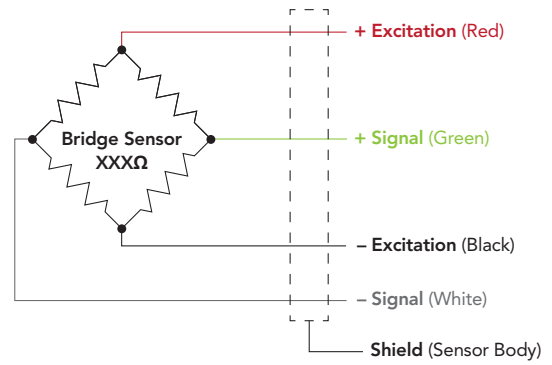
RoHS	EU 2015/863
CE	EN55011; EN61326-1

DIMENSIONS inches [mm]



WIRING CODE (WC1 WITH SHIELD)

RED	+ EXCITATION
BLACK	- EXCITATION
GREEN	+ SIGNAL
WHITE	- SIGNAL
SHIELD	SENSOR BODY



CAPACITIES

ITEM #	PSI	BAR*
FSH04107	225	15
FSH04108	750	50
FSH04109	3000	200
FSH04110	7500	50
FSH04111	10000	700

* Numbers in bar are not the exact conversion from PSIs

Drawing Number: F11470-C

FUTEK reserves the right to modify its design and specifications without notice. Please visit www.futek.com/salesterms for complete terms and conditions.

10 Thomas, Irvine, CA 92618 USA

Tel: (949) 465-0900

Fax: (949) 465-0905

www.futek.com



R0HS



U.S. Manufacturer