



FEATURES

- Industrial
- 1/4 NPT Male Threads
- 4-20 mA 2 Wire Output and 0-10 VDC
- Removeable Din Connector
- 0.25% Accuracy
- Absolute and Relative ranges

SPECIFICATIONS

PERFORMANCE

Nonlinearity	±0.2% of RO BFS; ±0.4% of RO End Point
Hysteresis	±0.15% of RO
Nonrepeatability	±0.10% of RO

ELECTRICAL

Rated Output (RO)	4–20 mA [0–10 VDC available]
Excitation (VDC or VAC)	10–30 VDC [14–30 VDC for Voltage Output]
Connection	DIN EN 175301-803 (DIN 43 650) with Plug Connector
Connector Code	CC7
Response Time	≤1 ms
Maximum Load (Ohm)	(Excitation - 10V) I 0.02A [>10,000 Ohm for Voltage Output]
Wiring Protection	Reverse polarity, overvoltage and short circuit

MECHANICAL

Weight	Approximately 6.4 oz
Capacity	See chart on next page
Maximum Pressure	See chart on next page
Burst Pressure	See chart on next page
Safe Overload	See chart on next page
Material	Stainless-steel (Wetted/Body)
IP Rating	IP64

TEMPERATURE

Operating Temperature	-4 to 176°F [-20 to 80°C] (body) -22 to 212°F [-30 to 100°C] (medium)
Compensated Temperature	32 to 176°F [0 to 80°C]
Storage Temperature	-40 to 212°F [-40 to 100°C]
Temperature Shift Zero	±0.011% of RO/°F [±0.02% of RO/°C]
Temperature Shift Span	±0.011% of LOAD/°F [±0.02% of LOAD/°C]

ENVIRONMENTAL

Shock	1000 g (IEC 60068-2-27)
Vibration	20 g (IEC 60068-2-6)

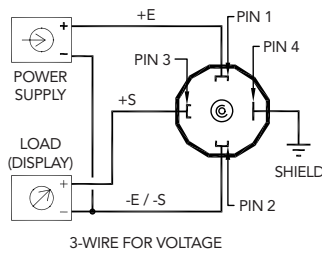
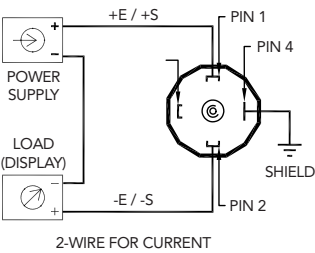
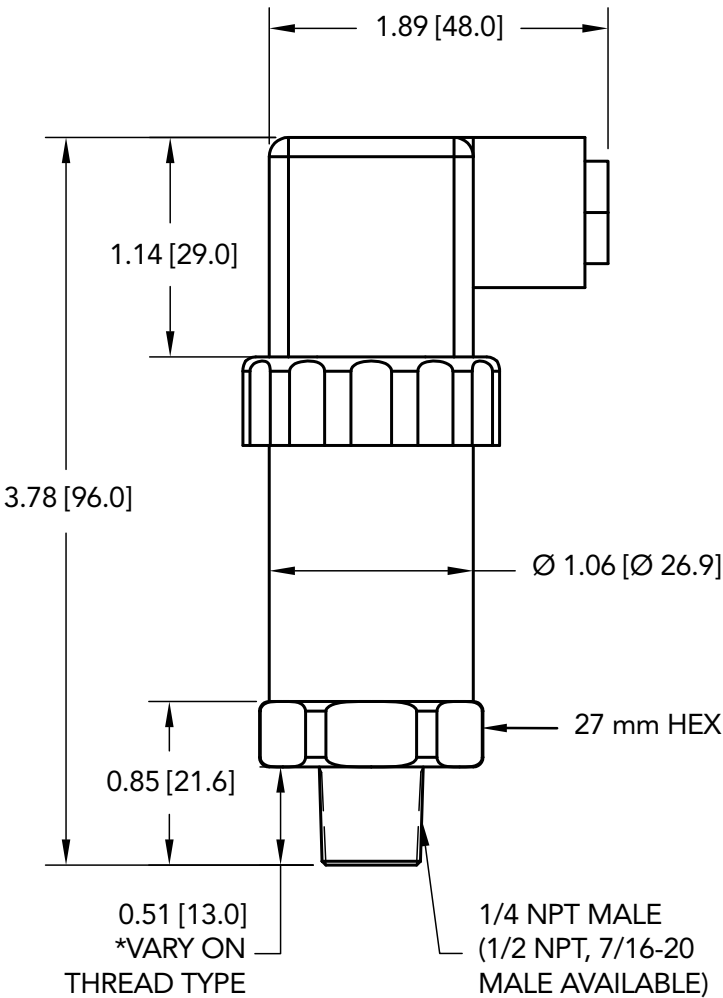
CALIBRATION

Calibration (standard)	Certificate of Conformance
Calibration (available)	5-pt pressure

CONFORMITY

RoHS	2004/108/EG EMC Directive
CE	EN 61 326 Emission Group 1, Class B Immunity Industrial Locations 97/23/EC Pressure Equipment Directive

DIMENSIONS inches [mm]



DIN #43650 4-PIN W/ PLUG CONNECTOR

PIN	VOLTAGE	CURRENT
1	Power Supply	Power Supply
2	+ Voltage Output	Current Output
3	Ground	NC
4	NC	NC

GAUGE / RELATIVE RANGES

Capacity PSI	Max PSI	Burst PSI
50 in H2O	14	29
5	29	35
10	58	69
25	145	170
60	240	290
100	500	600
300	1160	1390
500	1160	5800
1000	1740	7970
2000	4600	14500
3000	7200	17400
5000	11600	24650
10000	17400	34800
15000	21750	43500

ABSOLUTE RANGES

Capacity PSIA	Max PSI	Burst PSI
15	58	69
25	145	170
50	240	290
100	500	600
250	1160	1390
500	1160	5800

Drawing Number: FI1279-E

FUTEK reserves the right to modify its design and specifications without notice. Please visit www.futek.com/salesterms for complete terms and conditions.

10 Thomas, Irvine, CA 92618 USA

Tel: (949) 465-0900

Fax: (949) 465-0905

www.futek.com



RoHS



U.S. Manufacturer