

FUTEK MODEL PMP920 SERIES

MINIATURE PRESSURE SENSOR

(Previously P920 series)



Drawing Number: FI1163-D

INCH [mm] | R.O.= Rated Output

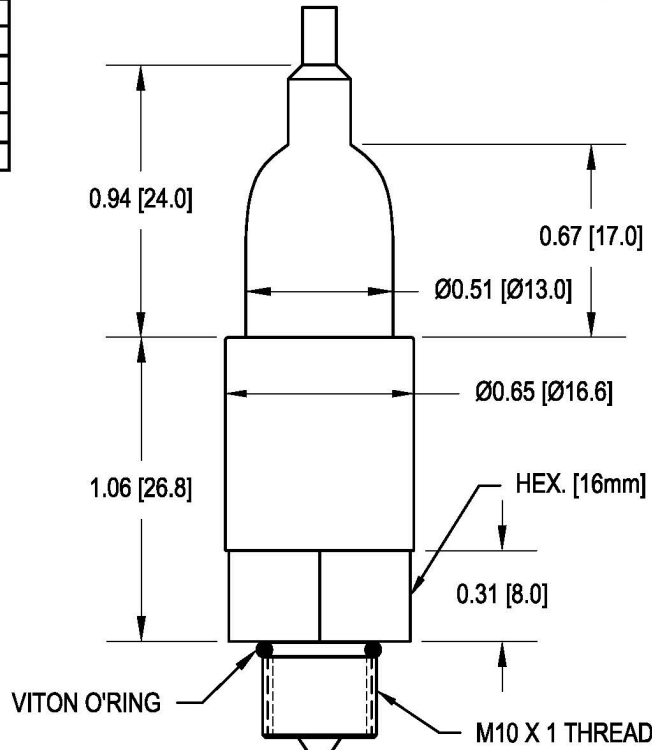
PMP921 WIRING CODE (WC1)

| | | | |
|-------------|---------------|-----------------|---------|
| +Excitation | -Excitation | +Signal | -Signal |
| RED | BLUE OR BLACK | GREEN OR YELLOW | WHITE |

PMP924 WIRING CODE (WC5)

| | | |
|------------------|--------------------|---------------|
| Power Supply (+) | Voltage Output (+) | Ground |
| RED | GREEN OR YELLOW | BLUE OR BLACK |

- THIN FILM TECHNOLOGY
- COMPATIBLE WITH MOST FLUIDS
- HIGH ACCURACY
- mV/V, 5V RATIO METRIC
- AVAILABLE IN ABSOLUTE
- HIGH TEMPERATURE OPTION



SPECIFICATIONS:

| | |
|---------------------------------|---|
| RATED OUTPUT | See Chart |
| CAPACITY | See Chart |
| SAFE OVERLOAD | 150% of R.O. |
| BURST PRESSURE | 300% of R.O. |
| EXCITATION | See Chart |
| CURRENT DRAW | < 10 mA |
| NONLINEARITY | ±0.25% of R.O. (BFSL) ± 0.5% of R.O. (END POINT) |
| ZERO BALANCE | See Chart |
| HYSTERESIS | ±0.25% of R.O. (BFSL) ± 0.5% of R.O. (END POINT) |
| NON-REPEATABILITY | ± 0.02% of R.O. |
| SIGNAL BANDWIDTH (ELECTRONIC) | 1000 Hz @ -3 dB |
| INSULATION RESISTANCE | > 1000 Mohms @ 50Vdc and 20°C |
| BRIDGE RESISTANCE: | 3000 Ω (PMP921 only) |
| TEMP. SHIFT ZERO | ±0.01% of R.O./°F [0.02% of R.O./°C] MAX |
| TEMP. SHIFT SPAN | ±0.01% of R.O./°F [0.02% of R.O./°C] MAX |
| COMPENSATED TEMP. | 32 to 140°F [0 to 60°C] |
| OPTIONAL (CAP. ≥ 3 BAR) | -13 to 257°F [-25 to 125°C] |
| OPERATING TEMP. (MEDIUM & BODY) | -40 to 257°F [-40 to 125°C] |
| WEIGHT | < 30g WITHOUT CABLE |
| MATERIAL (BODY/WETTED PARTS) | STAINLESS STEEL |
| ENCLOSURE PROTECTION | NEMA 4 (IP 65) FOR SEALED GAGE |
| ELECTRICAL CONNECTION | 4 CONDUCTOR, SHIELDED VITON CABLE, 3 ft [1 m] LONG |
| CAVITY VOLUME | < 130 mm ³ |
| SHOCK RESISTANCE | 100 G'S 1/2 SINUSOIDAL - 1ms |
| VIBRATION RESISTANCE | ±0.02%R.O./G (20-2000 Hz, 50G'S MAX) |
| EMR/RF: | COMPLIANT TO EN61000 |
| CALIBRATION (STD) | CERTIFICATE OF CONFORMANCE INCLUDED |
| CALIBRATION (AVAILABLE) | NIST TRACEABLE 5 pt. |

| SPECIFICATIONS | MODEL PMP921 | MODEL PMP924 |
|----------------------------------|------------------------|------------------------|
| RATED OUTPUT (R.O.) (> 2 bar) | 1.5 mV/V ± 3% R.O. | 5 VDC ± 0.05 |
| RATED OUTPUT (R.O.) (= 1 bar) | 6 to 10 mV/V ± 3% R.O. | 5 VDC ± 0.05 |
| - RATED OUTPUT (R.O.) (+/- Cap.) | Proportional to + R.O. | Proportional to + R.O. |
| ZERO BALANCE | 0 mV ± 3% R.O. | 0 VDC ± 0.05 |
| EXCITATION | 5-15 VDC | 8 to 30 VDC |

| GAUGE / RELATIVE RANGE | CAPACITY | |
|------------------------|----------|-----|
| | PSI | BAR |
| -14.5/+29 | -1/+2 | |
| -14.5/+43 | -1/+3 | |
| -14.5/+72 | -1/+5 | |
| 14.5 | 1 | |
| 29 | 2 | |
| 43 | 3 | |
| 72 | 5 | |
| 145 | 10 | |
| 290 | 20 | |
| 580 | 40 | |
| 1450 | 100 | |
| 3626 | 250 | |
| 5801 | 400 | |
| 8702 | 600 | |



This drawing is submitted solely for the information and exclusive use of the original addressee. It is not to be divulged in whole or in part, by any firm or individual without written permission from FUTEK

10 THOMAS
IRVINE, CA 92618 USA
1-800-23-FUTEK (38835)

INTERNET:
<http://www.futek.com>