

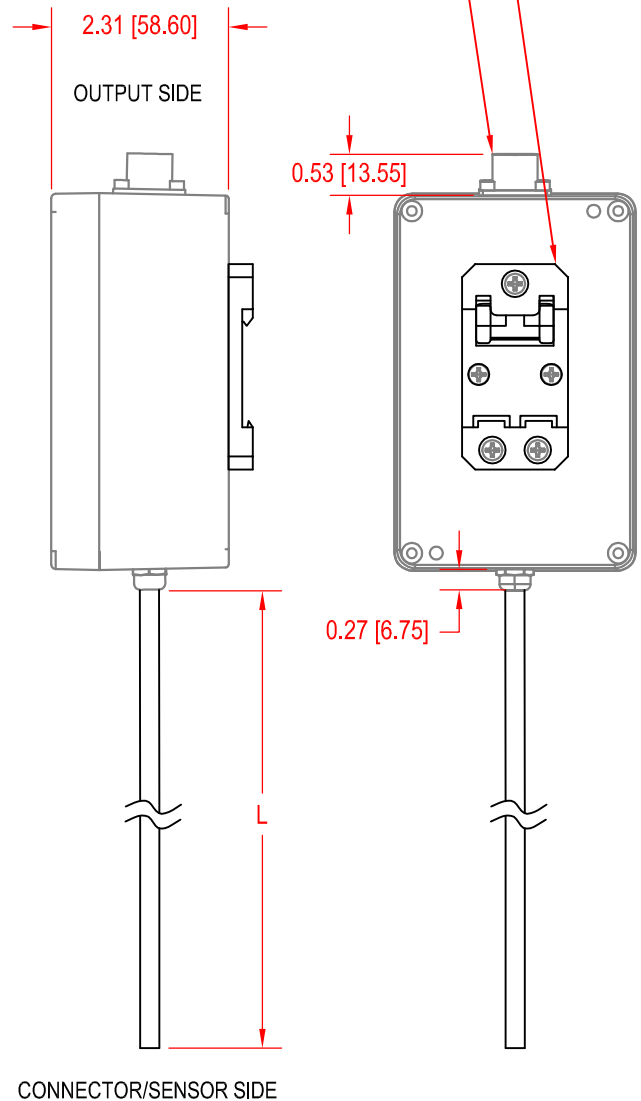
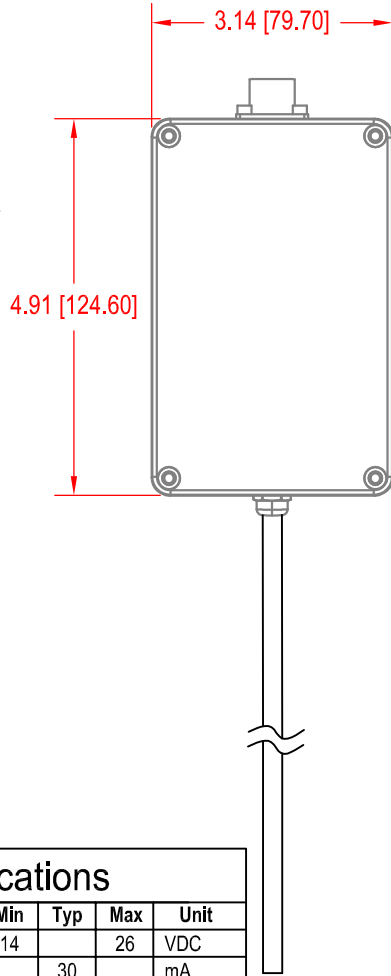
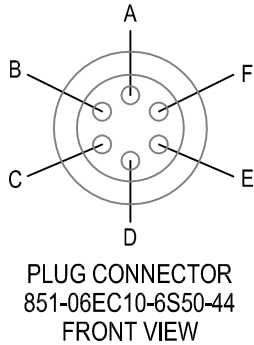
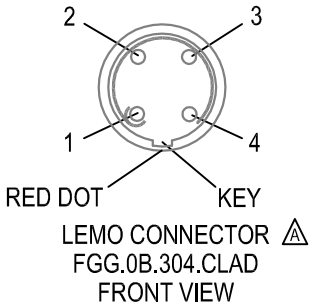
# FUTEK MODEL QIA117 IN-LINE AMPLIFIER WITH ALUMINUM ENCLOSURE

ITEM NUMBER: SEE CHART

INCH [mm]		R.O.= Rated Output	
WIRING CODE (SENSOR)			
+ EXC	- EXC/SHIELD	+ SIG	- SIG
Pin A	Pin B	Pin C	Pin D

WIRING CODE (OUTPUT)				
POWER	GND	VOUT	SHUNT POWER	SHUNT
Pin A	Pin B & C	Pin D	Pin E	Pin F

NOTE: TO ACTIVATE SHUNT, CONNECT PIN E TO PIN F



Electrical Specifications				
Parameter	Min	Typ	Max	Unit
Power Supply	14		26	VDC
Current Dissipation*		30		mA
Output Impedance		1		Ohms
Sensor Impedance	350		5000	Ohms
Frequency Response -3dB BW		200		Hz
Common Mode Rejection Ratio	120			dB
Noise		10		mV p-p
Output Span Range	-10		10	% of RO
Output Zero Range	-10		10	% of RO
Total Error (Nonlinearity + Accuracy)		±0.005		% of FSR

\*No Load Applied (Input or Output)

Item #	Sensor Side	L	Termination
QSH01824	6 Pin Bendix 851-06EC10-6S50-44	48" [1.2 m]	Connector
QSH01825	4 Pin Lemo FGG.0B.304.CLAD	48" [1.2 m]	Connector
QSH01826	LSB200	N/A	Strain Relief

## OUTLINE DRAWING

STANDARD NOTES: (Unless Otherwise Specified)

- ALL DIMENSIONS ARE IN INCHES
- DRAWING INTERPRETATION DIMS. PER ASME-Y14.5M
- REMOVE BURRS AND BREAK SHARP EDGES .005 - .015
- THREADS PER HANDBOOK H-28
- DIMENSIONS ARE SHOWN AFTER PLATING

ANGLE:  
±1/2°

CHAMFER:  
±5°

TOLERANCE:  
.X ±0.1  
.XX ±0.01  
.XXX ±0.005

3rd ANGLE PROJ.



This drawing is submitted solely for the information and exclusive use of the original addressee. It is not to be divulged in whole or in part, by any firm or individual without written permission from:

**FUTEK**  
ADVANCED SENSOR TECHNOLOGY, INC.

10 THOMAS  
IRVINE, CA 92618 USA  
Phone: (949) 465-0900  
Fax: (949) 465-0905

**CAGE: 1X8M6**

MODEL: **QIA117**

DWG No.: **FO1408-B**

DRAWN BY: S. Tran

CHECKED BY: -

APPROVED BY: B.F. Moqaddam

DATE: **Sept. 16, 2015**

CUSTOMER APPROVAL-COMPANY

CUSTOMER APPROVAL-NAME /DATE

REVISIONS: (Refer to dwg # revision sheet)

10-21-2015

09-06-2016