

Terms and Conditions of Use

This drawing, including all information depicted herein (collectively, "Drawing"), is FUTEK's property and protected under applicable law, including copyright. FUTEK reserves all rights. The Drawing is provided solely for your information and exclusive use. **Except as expressly approved by FUTEK in writing, you may not reproduce or share this Drawing**, in whole or part, with any other firm or individual, or attempt to reverse engineer the Drawing or data contained therein. Any reproduction of this Drawing in whole or part must include this legend.

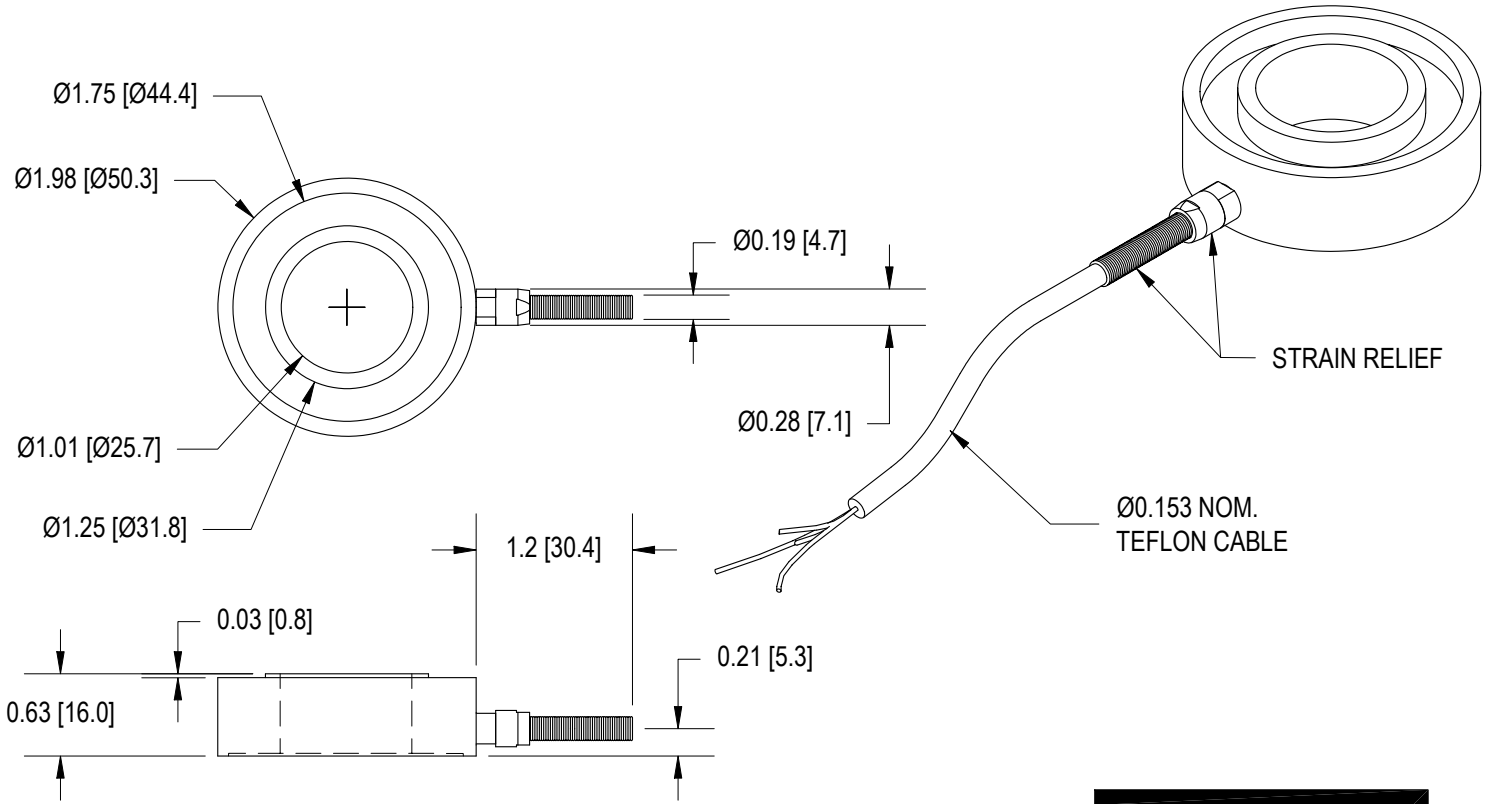
By accessing the Drawing, you agree that you have read, understand, and agree to abide by the stated Terms and Conditions of Use.

© 2023 FUTEK Advanced Sensor Technology, Inc.

FUTEK MODEL QLA115

DONUT LOAD CELL (Previously Q07673)

INCH (mm)		R.O.= Rated Output	
WIRING CODE (WC1)			
+Excitation	-Excitation	+Signal	-Signal
RED	BLACK	GREEN	WHITE



STK#	CAPACITIES	
	lb	N
QSH00045	100	445
QSH00046	1000	4448

SPECIFICATIONS:

RATED OUTPUT	2 mV/V nom.
SAFE OVERLOAD	150% of R.O.
ZERO BALANCE	1.0% of R.O.
EXCITATION (VDC OR VAC)	10 recommended
BRIDGE RESISTANCE	700 Ω
NONLINEARITY	±1.0% of R.O.
HYSTERESIS	±1.0% of R.O.
NONREPEATABILITY	±0.10% of R.O.
TEMP. SHIFT ZERO	0.005% of R.O./°F (0.009% of R.O./°C)
TEMP. SHIFT SPAN	0.02% of LOAD/°F (0.036% of LOAD/°C)
COMPENSATED TEMP.	60 to 160°F (15 to 72°C)
OPERATING TEMP.	-65 to 200°F (-54 to 90°C)
MATERIAL	Stainless Steel
CABLE:	#24 AWG, 4 Conductor Teflon Cable, 5ft Long

OLD DWG: F2554-C

MATERIAL: —
HEAT TREATMENT - FINISH: —
REVISIONS: (Refer to dwg # revision sheet)

OUTLINE DRAWING

STANDARD NOTES: (Unless Otherwise Specified)

- ALL DIMENSIONS ARE IN INCHES
- DRAWING INTERPRETATION DIMS. PER ASME-Y14.5M
- REMOVE BURRS AND BREAK SHARP EDGES .005 - .015
- THREADS PER HANDBOOK H-28
- DIMENSIONS ARE SHOWN AFTER PLATING

ANGLE: ±1/2°

CHAMFER: ±5°

TOLERANCE: .XX ±.01
.XXX ±.005

3rd ANGLE PROJ.

This drawing, including all information depicted herein (collectively, "Drawing"), is FUTEK's property and protected under applicable law, including copyright. FUTEK reserves all rights. The Drawing is provided solely for your information and exclusive use. Except as expressly approved by FUTEK in writing, you may not reproduce or share this Drawing, in whole or part, with any other firm or individual, or attempt to reverse engineer the Drawing or data contained therein. Any reproduction of this Drawing in whole or part must include this legend.

FUTEK

MODEL: QLA115	DWG No.: FO1066
DRAWN BY: R. WALKER	CHECKED BY: R. WALKER
APPROVED BY: J. MOKHBERY	DATE: Dec. 23, 1998