

Terms and Conditions of Use

This drawing, including all information depicted herein (collectively, "Drawing"), is FUTEK's property and protected under applicable law, including copyright. FUTEK reserves all rights. The Drawing is provided solely for your information and exclusive use. **Except as expressly approved by FUTEK in writing, you may not reproduce or share this Drawing**, in whole or part, with any other firm or individual, or attempt to reverse engineer the Drawing or data contained therein. Any reproduction of this Drawing in whole or part must include this legend.

By accessing the Drawing, you agree that you have read, understand, and agree to abide by the stated Terms and Conditions of Use.

© 2023 FUTEK Advanced Sensor Technology, Inc.

FUTEK MODEL QLA125

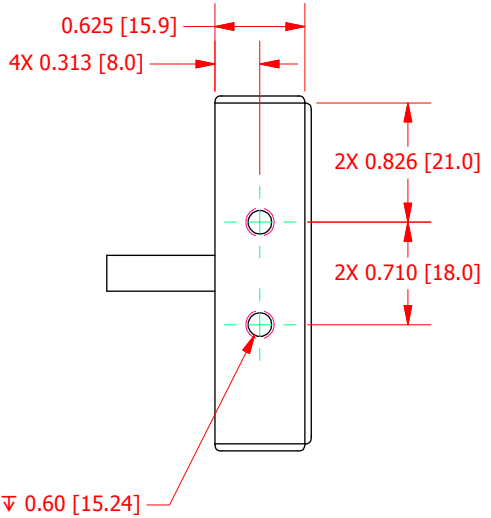
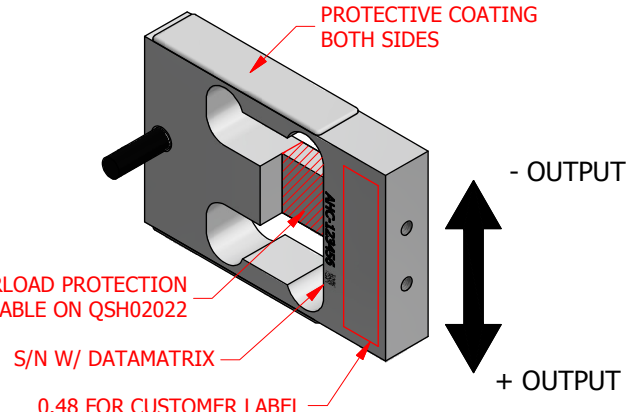
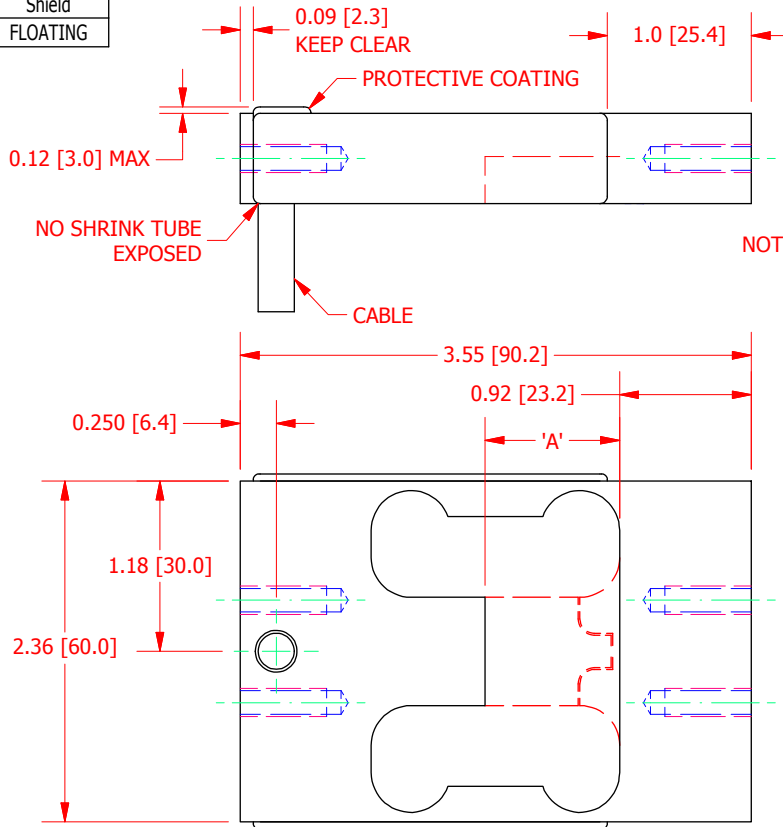
PARALLEL BEAM LOAD CELL

ITEM NUMBER: SEE CHART



INCH [mm] | R.O.= Rated Output

WIRING CODE			
+ Excitation	- Excitation	+ Signal	- Signal
RED	WHITE	BLUE	GREEN
Shield			
FLOATING			



SPECIFICATIONS:

RATED OUTPUT	2 mV/V nom.
CAPACITY	15 lb. [66.6N]
SAFE OVERLOAD	See Chart
ZERO BALANCE	\u00b12% of R.O.
EXCITATION (VDC OR VAC)	18 MAX
BRIDGE RESISTANCE	350 \u03a9 nom.
NONLINEARITY	\u00b10.05% of R.O.
HYSTERESIS	\u00b10.05% of R.O.
NONREPEATABILITY	\u00b10.01% of R.O.
TEMP. SHIFT ZERO	\u00b10.01% of R.O./\u00b0F (\u00b10.018 of R.O./\u00b0C)
TEMP. SHIFT SPAN	\u00b10.01% of LOAD/\u00b0F (\u00b10.018 of LOAD/\u00b0C)
COMPENSATED TEMP.	60 to 160 \u00b0F (16 to 71 \u00b0C)
OPERATING TEMP.	0 to 160 \u00b0F (-18 to 71 \u00b0C)
WEIGHT (approx)	0.35 lb [158.7 g]
MATERIAL	Aluminum
CABLE: #26 Awg 4 Conductor Shielded Cable, 12 in [30 cm] Long	

RoHS 2011/65/EU Compliant

ITEM#	OVERLOAD PROTECTION	'A'	SAFE OVERLOAD
QSH02021	YES	0	75 lb [334 N]
QSH02022	NO	0.94 [23.7]	22.5 lb [100 N]

CUSTOMER APPROVAL- COMPANY:

CUSTOMER APPROVAL- NAME / DATE:

REVISIONS: (Refer to dwg # revision sheet)

OUTLINE DRAWING

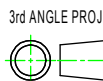
STANDARD NOTES: (Unless Otherwise Specified)

ALL DIMENSIONS ARE IN INCHES
DRAWING INTERPRETATION DIMS. PER ASME-Y14.5M
REMOVE BURRS AND BREAK SHARP EDGES .005 - .015
THREADS PER HANDBOOK H-28
DIMENSIONS ARE SHOWN AFTER PLATING

ANGLE:
\u00b1 1/2"

CHAMFER:
\u00b1 5"

TOLERANCE:
.X \u00b1 0.1"
.XX \u00b1 0.01"
.XXX \u00b1 0.005"



FUTEK

This drawing, including all information depicted herein (collectively, "Drawing"), is FUTEK's property and protected under applicable law, including copyright. FUTEK reserves all rights. The Drawing is provided solely for your information and exclusive use. Except as expressly approved by FUTEK in writing, you may not reproduce or share this Drawing in whole or part, with any other firm or individual, or attempt to reverse engineer the Drawing or data contained therein. Any reproduction of this Drawing in whole or part must include this legend.

MODEL: **QLA125**

DWG No.: **FO1475**

DRAWN BY: S. MICHEL

CREATED DATE: 8/24/2018

APPROVED BY: R. WALKER

APPROVED DATE: 9/13/2018

CHECKED BY:

CAGE: 1X8M6 SHEET: 1 OF 1