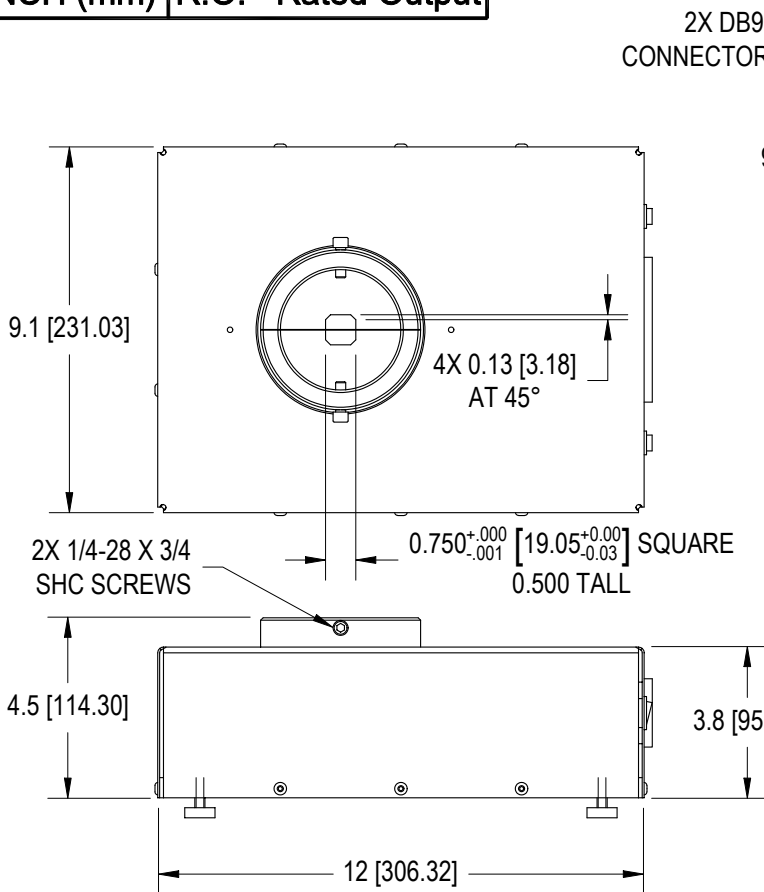


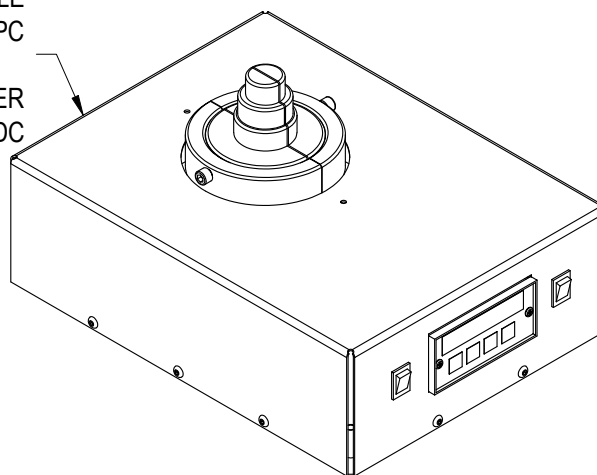
FUTEK MODEL Q12387 RADIAL LIP SEAL FORCE INDICATOR

INCH (mm) | R.O.= Rated Output



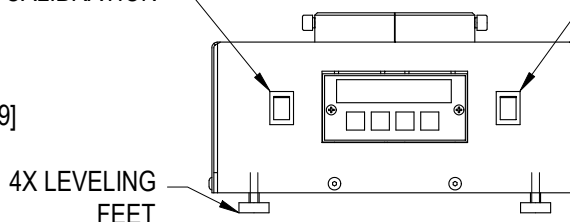
2X DB9 FEMALE CONNECTORS TO PC

POWER 9-37 VDC



AUTO CALIBRATION

POWER



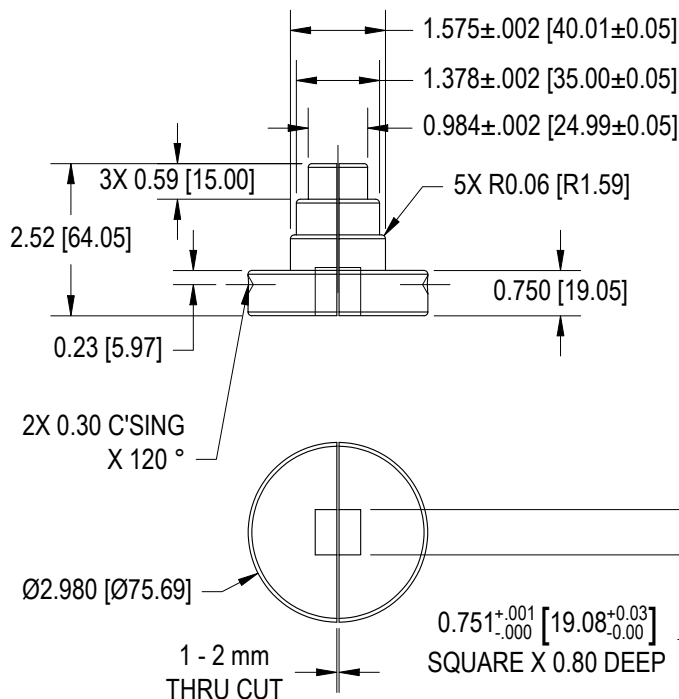
SPECIFICATIONS:

CAPACITY	10 Kg
SAFE OVERLOAD	400% of R.O.
POWER	120 VAC Power Supply Converter to 12 VDC Included
OPERATING TEMP.	32 to 130°F
WEIGHT	10 lb

NOTES:

- 1) SYSTEM WILL REQUIRE 2 (TWO) SERIAL COMMUNICATION PORTS ON COMPUTER.
- 2) FIRST FIXTURE WILL BE PROVIDED.
- 3) SOFTWARE INCLUDES:
DATA EXPORTED TO PC THRU COMMUNICATION PORTS.
SELF CALIBRATION MODE.
TIME DELAY SETTING.

FIXTURE



MATERIAL:

—

HEAT TREATMENT - FINISH:

—

REVISIONS: (Refer to dwg # revision sheet)

- △ 2-11-03
- △ 2-13-03
- △ 2-19-03
- △ 3-28-03

OUTLINE DRAWING

STANDARD NOTES: (Unless Otherwise Specified)

- ALL DIMENSIONS ARE IN INCHES
- DRAWING INTERPRETATION DIMS. PER ASME-Y14.5M
- REMOVE BURRS AND BREAK SHARP EDGES .005 - .015
- THREADS PER HANDBOOK H-28
- DIMENSIONS ARE SHOWN AFTER PLATING

3rd ANGLE PROJ.



ANGLE:
±1/2°

CHAMFER:
±5°

TOLERANCE:
.XX ±.01
.XXX ±.005

This drawing is submitted solely for the information and exclusive use of the original addressee. It is not to be divulged in whole or in part, by any firm or individual without written permission from:

FUTEK
ADVANCED SENSOR TECHNOLOGY, INC.

10 THOMAS
IRVINE, CA 92618 USA
Phone: (949) 465-0900
Fax: (949) 465-0905

CAGE: 1X8M6

MODEL: **Q12387**

DRAWN BY: J. VARGAS

APPROVED BY: XXXXX

DWG No.: **F4523**

CHECKED BY: XXXXX

DATE: **Feb. 6, 2003**