

Terms and Conditions of Use

This drawing, including all information depicted herein (collectively, "Drawing"), is FUTEK's property and protected under applicable law, including copyright. FUTEK reserves all rights. The Drawing is provided solely for your information and exclusive use. **Except as expressly approved by FUTEK in writing, you may not reproduce or share this Drawing**, in whole or part, with any other firm or individual, or attempt to reverse engineer the Drawing or data contained therein. Any reproduction of this Drawing in whole or part must include this legend.

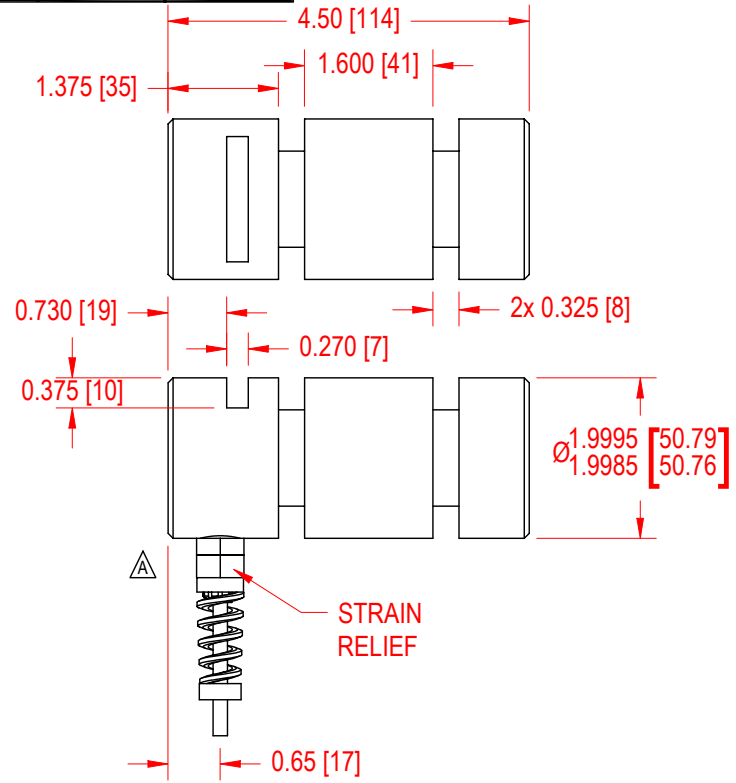
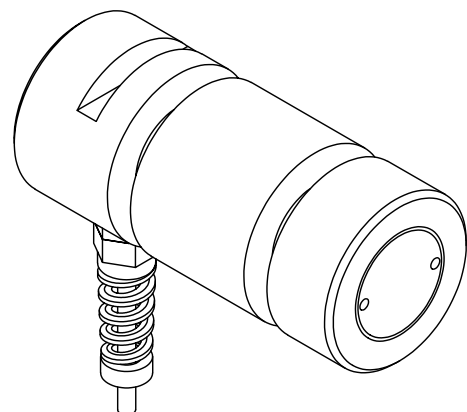
By accessing the Drawing, you agree that you have read, understand, and agree to abide by the stated Terms and Conditions of Use.

© 2023 FUTEK Advanced Sensor Technology, Inc.

FUTEK MODEL QLA183 Idler Sheave Pin Load Cell

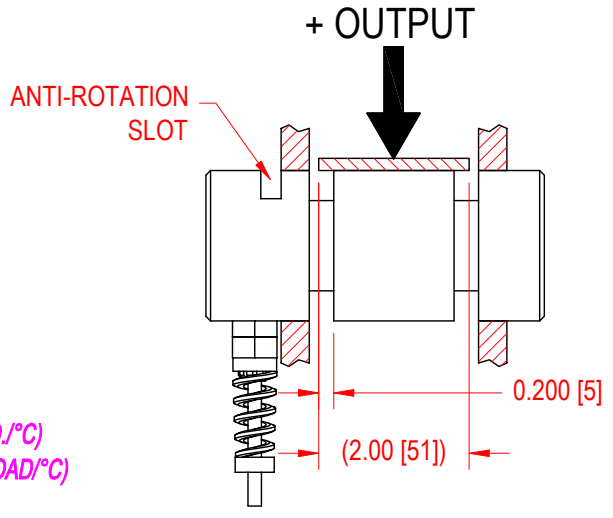
STOCK NUMBER: QSH00320

INCH [mm]		R.O.= Rated Output	
WIRING CODE			
+Excitation	-Excitation	+Signal	-Signal
RED	BLACK	GREEN	WHITE
+Sense	-Sense	Shield	
ORANGE	BLUE	FLOATING	



SPECIFICATIONS:

RATED OUTPUT	1.5 mV/V nom.
CAPACITY	7500 lb (33360 N)
SAFE OVERLOAD	150% of R.O.
ZERO BALANCE	±3% of R.O.
EXCITATION (VDC OR VAC)	18 MAX
BRIDGE RESISTANCE	350 Ω nom
NONLINEARITY	±3% of R.O.
HYSTERESIS	±3% of R.O.
NONREPEATABILITY	±0.25% of R.O.
TEMP. SHIFT ZERO	±0.02% of R.O./°F (0.036% of R.O./°C)
TEMP. SHIFT SPAN	±0.02% of LOAD/°F (0.036% of LOAD/°C)
COMPENSATED TEMP.	60 to 160°F (16 to 71°C)
OPERATING TEMP.	0 to 200°F (-18 to 93°C)
WEIGHT	3 lb (1.36 Kg)
MATERIAL	17-4PH S.S.
CABLE:	28 AWG, 6 Conductor Braided Shielded Poly Cable, 5 ft [1.5 m] Long



MATERIAL:	—
HEAT TREATMENT - FINISH:	—
REVISIONS: (Refer to dwg # revision sheet)	
▲ 4-5-04	
▲ 6-4-08	

OUTLINE DRAWING

STANDARD NOTES: (Unless Otherwise Specified)

- ALL DIMENSIONS ARE IN INCHES
- DRAWING INTERPRETATION DIMS. PER ASME-Y14.5M
- REMOVE BURRS AND BREAK SHARP EDGES .005 - .015
- THREADS PER HANDBOOK H-28
- DIMENSIONS ARE SHOWN AFTER PLATING

ANGLE:
±1/2°
CHAMFER:
±5°
TOLERANCE:
.XX ±.01
.XXX ±.005

3rd ANGLE PROJ.

This drawing, including all information depicted herein (collectively, "Drawing"), is FUTEK's property and protected under applicable law, including copyright. FUTEK reserves all rights. The Drawing is provided solely for your information and exclusive use. Except as expressly approved by FUTEK in writing, you may not reproduce or share this Drawing, in whole or part, with any other firm or individual, or attempt to reverse engineer the Drawing or data contained therein. Any reproduction of this Drawing in whole or part must include this legend.

FUTEK

CAGE: 1X8M6

MODEL: QLA183	DWG No.: FO1039-B
DRAWN BY: R. WALKER	CHECKED BY: J. VARGAS
APPROVED BY: J. MOKHBERY	DATE: Apr. 1, 2004