

## Terms and Conditions of Use

This drawing, including all information depicted herein (collectively, "Drawing"), is FUTEK's property and protected under applicable law, including copyright. FUTEK reserves all rights. The Drawing is provided solely for your information and exclusive use. **Except as expressly approved by FUTEK in writing, you may not reproduce or share this Drawing**, in whole or part, with any other firm or individual, or attempt to reverse engineer the Drawing or data contained therein. Any reproduction of this Drawing in whole or part must include this legend.

By accessing the Drawing, you agree that you have read, understand, and agree to abide by the stated Terms and Conditions of Use.

© 2023 FUTEK Advanced Sensor Technology, Inc.

# FUTEK MODEL QLA206

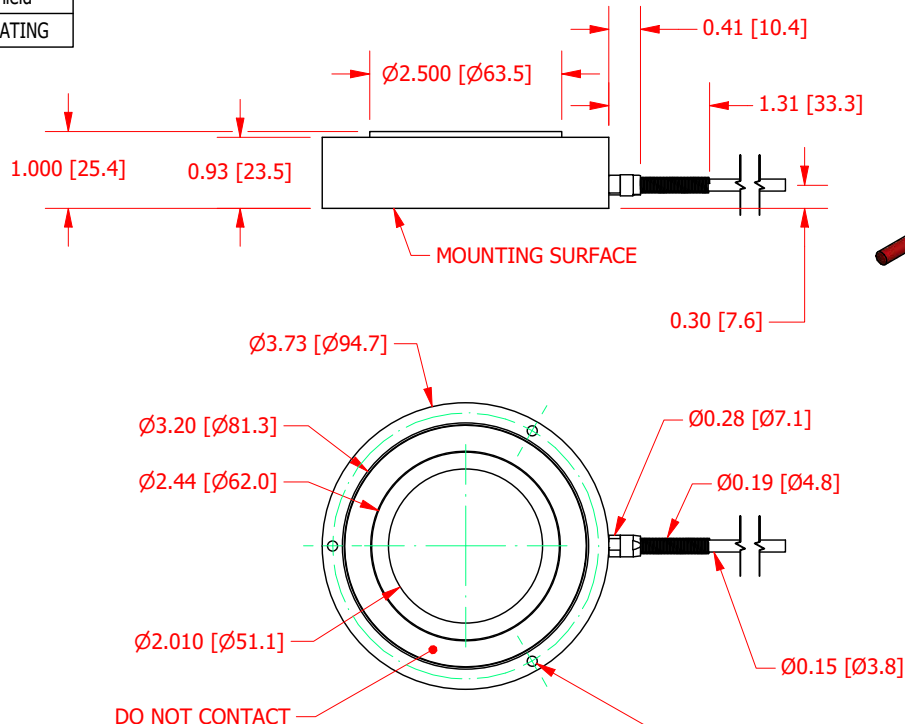
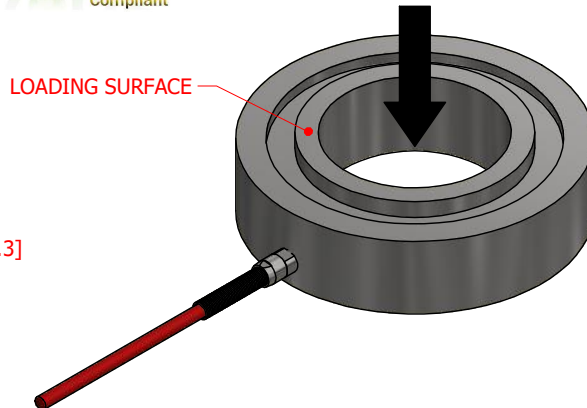
# THRU HOLE / DONUT LOAD CELL

ITEM NUMBER: QSH02068



**+ OUTPUT**

INCH [mm]		R.O.= Rated Output	
WIRING CODE (WC1)			
+ Excitation	- Excitation	+Signal	-Signal
RED	BLACK	GREEN	WHITE
Shield			
FLOATING			



DO NOT CONTACT

3X 8-32 UNC - 2B  $\nabla$  0.25 [6.4]  
EQUALLY SPACED ON  
3.465 [88.0] B.C.D.

## SPECIFICATIONS:

RATED OUTPUT	2 mV/V nom.
CAPACITY	20000 lb. [88800N]
SAFE OVERLOAD	150 % of R.O.
ZERO BALANCE	$\pm 2\%$ of R.O.
EXCITATION (VDC OR VAC)	18 MAX
BRIDGE RESISTANCE	700 $\Omega$ nom.
NONLINEARITY	$\pm 2\%$ of R.O.
HYSTERESIS	$\pm 2\%$ of R.O.
NONREPEATABILITY	$\pm 0.5\%$ of R.O.
TEMP. SHIFT ZERO	$\pm 0.02\%$ of R.O./ $^{\circ}$ F ( $\pm 0.036$ of R.O./ $^{\circ}$ C)
TEMP. SHIFT SPAN	$\pm 0.02\%$ of LOAD/ $^{\circ}$ F ( $\pm 0.036$ of LOAD/ $^{\circ}$ C)
COMPENSATED TEMP.	-26 to 160 $^{\circ}$ F (-32 to 71 $^{\circ}$ C)
OPERATING TEMP	-40 to 160 $^{\circ}$ F (-40 to 71 $^{\circ}$ C)
MATERIAL	17-4 PH S.S.
CABLE: #24 AWG, 4 Conductor Braided Shielded Teflon Cable, 10 ft [3 m] Long	
RoHS EU 2015 / 863	

CUSTOMER APPROVAL- COMPANY:
CUSTOMER APPROVAL- NAME / DATE:
REVISIONS: (Refer to dwg # revision sheet)

## OUTLINE DRAWING

STANDARD NOTES: (Unless Otherwise Specified)

ALL DIMENSIONS ARE IN INCHES  
DRAWING INTERPRETATION DIMS. PER ASME-Y14.5  
REMOVE BURRS AND BREAK SHARP EDGES .005 - .015  
THREADS PER HANDBOOK H-28  
DIMENSIONS ARE SHOWN AFTER PLATING

ANGLE:  $\pm 1/2^{\circ}$   
CHAMFER:  $\pm 5$   
TOLERANCE:  
.X  $\pm 0.1^{\circ}$   
.XX  $\pm 0.01^{\circ}$   
.XXX  $\pm 0.005^{\circ}$

3rd ANGLE PROJ.

**FUTEK**

This drawing, including all information depicted herein (collectively, "Drawing"), is FUTEK's property and protected under applicable law, including copyright. FUTEK reserves all rights. The Drawing is provided solely for your information and exclusive use. Except as expressly approved by FUTEK in writing, you may not reproduce or share this Drawing in whole or part, with any other firm or individual, or attempt to reverse engineer the Drawing or data contained therein. Any reproduction of this Drawing in whole or part must include this legend.

MODEL: <b>QLA206</b>	DWG No.: <b>FO1511</b>
DRAWN BY: Y. GUERRERO	CREATED DATE: 9/23/2019
APPROVED BY: R. WALKER	APPROVED DATE: 9/24/2019
CHECKED BY: R. WALKER	CAGE: 1X8M6 SHEET: 1 OF 1