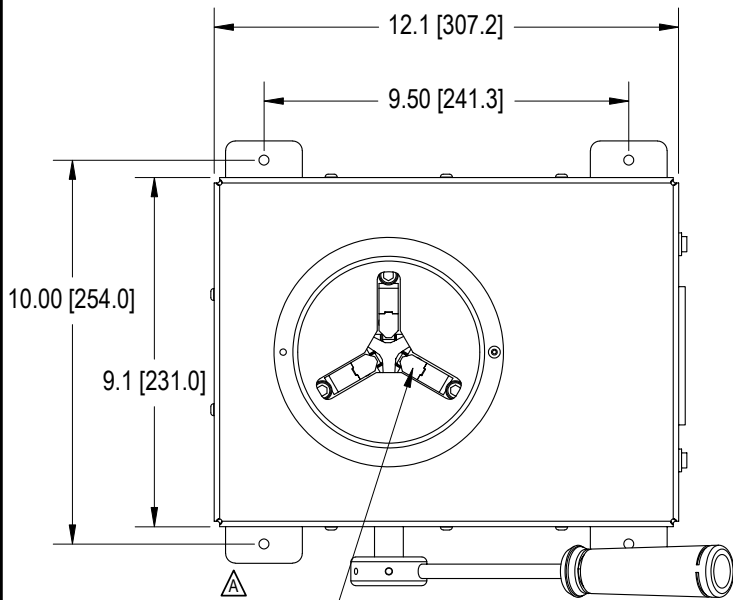


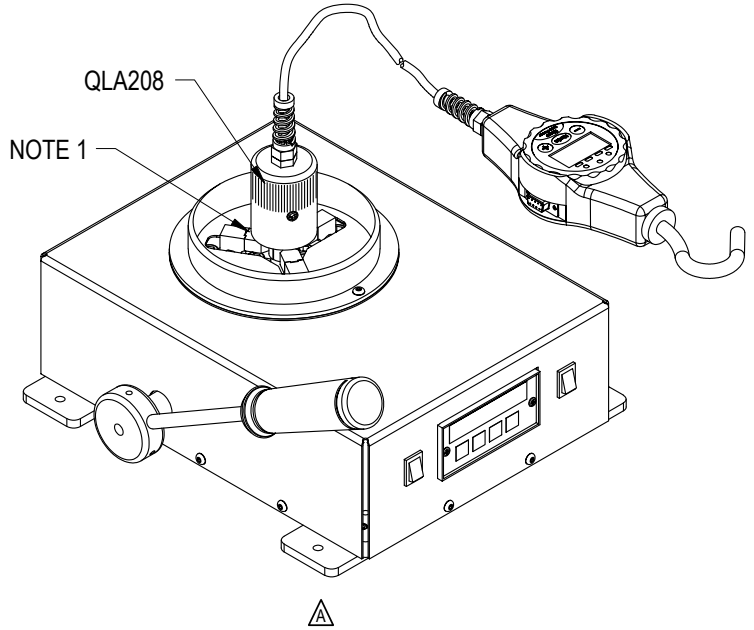
FUTEK MODEL QLA212 COLLET FORCE VERIFICATION SYSTEM

STOCK NUMBER: QSH00334

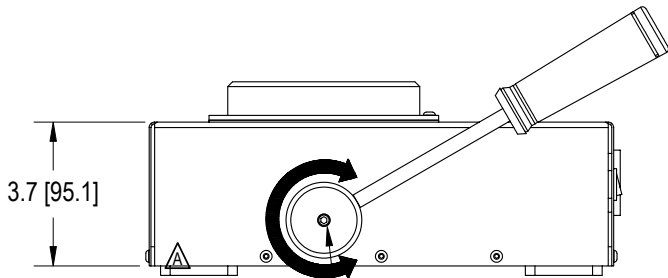
INCH (mm) | R.O.= Rated Output



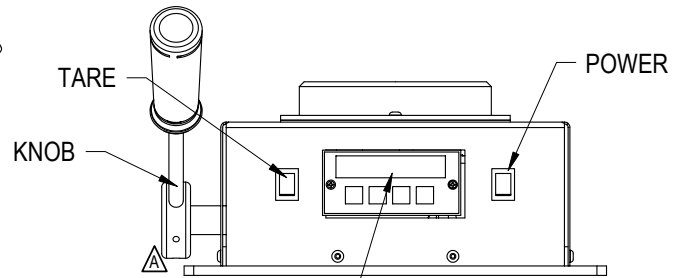
CHUCK W/ BUILT IN SENSORS
ADJUSTABLE DIMENSION



NOTE 1



CHUCK WILL BE TIGHTENED
TO INDUCE LOAD BY
ROTATING KNOB



SPECIFICATIONS:

CAPACITY	500 lb
SAFE OVERLOAD	150% of R.O.
POWER	120 VAC Power Supply Converter to 12 VDC Included
OPERATING TEMP.	32 to 130°F

NOTES

- 1) ALIGN SCRIBELINES OF QLA208 AND QLA212 WHEN PERFORMING A VERIFICATION TEST

MATERIAL: —
HEAT TREATMENT - FINISH: —
REVISIONS: (Refer to dwg # revision sheet) ▲ 10-07-04 ▲ 11-19-04

OUTLINE DRAWING

STANDARD NOTES: (Unless Otherwise Specified)

- ALL DIMENSIONS ARE IN INCHES
- DRAWING INTERPRETATION DIMS. PER ASME-Y14.5M
- REMOVE BURRS AND BREAK SHARP EDGES .005 - .015
- THREADS PER HANDBOOK H-28
- DIMENSIONS ARE SHOWN AFTER PLATING

3rd ANGLE PROJ.



ANGLE:

±1/2°

CHAMFER:

±5°

TOLERANCE:

.XX ±.01

.XXX ±.005

This drawing is submitted solely for the information and exclusive use of the original addressee. It is not to be divulged in whole or in part, by any firm or individual without written permission from:

FUTEK

ADVANCED SENSOR TECHNOLOGY, INC.

10 THOMAS
IRVINE, CA 92618 USA

Phone: (949) 465-0900

Fax: (949) 465-0905

CAGE: 1X8M6

MODEL: **QLA212**

DWG No.: **FO1065**

DRAWN BY: R. WALKER

CHECKED BY: XXXXX

APPROVED BY: J. VARGAS

DATE: **Sept. 9, 2004**