

## Terms and Conditions of Use

This drawing, including all information depicted herein (collectively, "Drawing"), is FUTEK's property and protected under applicable law, including copyright. FUTEK reserves all rights. The Drawing is provided solely for your information and exclusive use. **Except as expressly approved by FUTEK in writing, you may not reproduce or share this Drawing**, in whole or part, with any other firm or individual, or attempt to reverse engineer the Drawing or data contained therein. Any reproduction of this Drawing in whole or part must include this legend.

By accessing the Drawing, you agree that you have read, understand, and agree to abide by the stated Terms and Conditions of Use.

© 2023 FUTEK Advanced Sensor Technology, Inc.

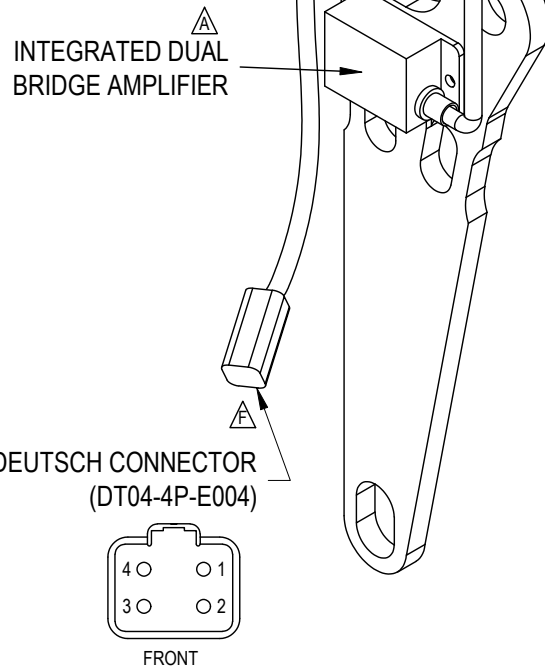
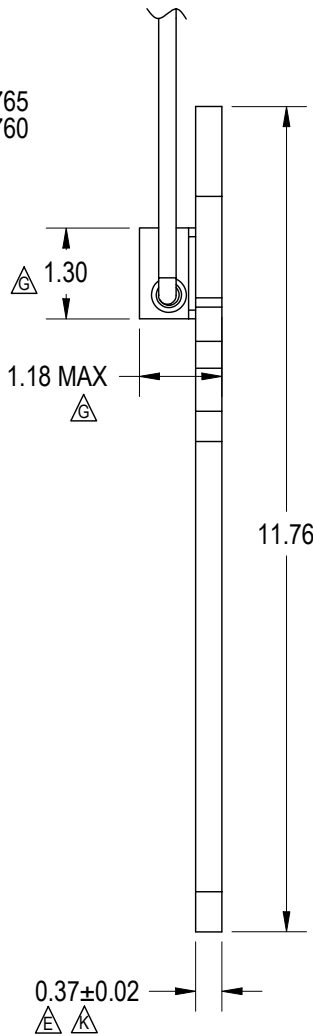
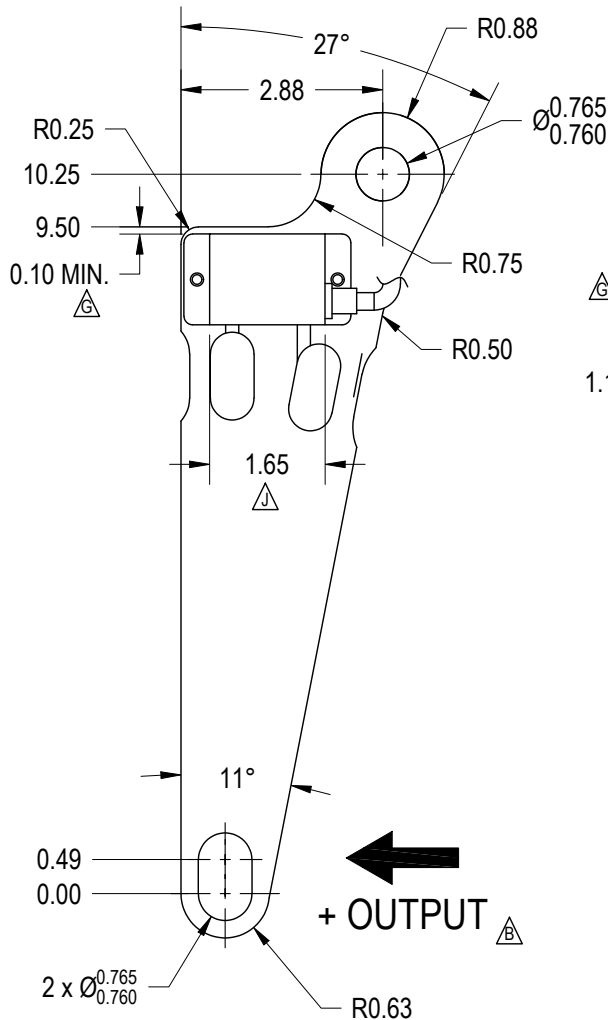
# FUTEK MODEL QLA218

STOCK NUMBER: QSH00577-B  $\Delta$

# DUAL BRIDGE LOAD LINK

W/ AMPLIFIED OUTPUT

INCH (mm)		R.O.= Rated Output	
CONNECTOR CODE			
9 TO 36 VDC	GND (POWER, OUTPUT)	OUTPUT (CH 1)	OUTPUT (CH 2)
1	2	3	4
RED	BLACK	GREEN	WHITE



## SPECIFICATIONS:

CAPACITY	360 lb
OUTPUT	0.5 +/-0.2 to 4.3 +/-0.4 VDC $\Delta$
EXCITATION	9-36 VDC $\Delta$
OPERATING TEMP.	-40 to 185°F $\Delta$
WEIGHT	1.5 lb
MATERIAL	ALUMINUM
CABLE:	#18 AWG, 4 Conductor Cable, 14 in. Long. $\Delta$
Connector:	Deutsch Connector (DT04-4P-E004). $\Delta$

MATERIAL:

—

HEAT TREATMENT - FINISH:

—

REVISIONS: (Refer to dwg # revision sheet)

$\Delta$ 09-24-04	$\Delta$ 06-28-05	$\Delta$ 05-09-06
$\Delta$ 11-16-04	$\Delta$ 08-10-05	$\Delta$ 02-09-07
$\Delta$ 11-16-04	$\Delta$ 10-20-05	$\Delta$ 07-25-08
$\Delta$ 02-14-05	$\Delta$ 10-28-05	

## OUTLINE DRAWING

STANDARD NOTES: (Unless Otherwise Specified)

- ALL DIMENSIONS ARE IN INCHES
- DRAWING INTERPRETATION DIMS. PER ASME-Y14.5M
- REMOVE BURRS AND BREAK SHARP EDGES .005 - .015
- THREADS PER HANDBOOK H-28
- DIMENSIONS ARE SHOWN AFTER PLATING

3rd ANGLE PROJ.



ANGLE:  
±1/2°

CHAMFER:  
±5°

TOLERANCE:  
.XX ±.01  
.XXX ±.005

# FUTEK

CAGE: 1X8M6

MODEL: QLA218

DRAWN BY: J. VARGAS

APPROVED BY: R. WALKER

This drawing, including all information depicted herein (collectively, "Drawing"), is FUTEK's property and protected under applicable law, including copyright. FUTEK reserves all rights. The Drawing is provided solely for your information and exclusive use. Except as expressly approved by FUTEK in writing, you may not reproduce or share this Drawing, in whole or part, with any other firm or individual, or attempt to reverse engineer the Drawing or data contained therein. Any reproduction of this Drawing in whole or part must include this legend.

DWG No.: FO1071

CHECKED BY: H. AU

DATE: SEPT. 15, 2004