

Terms and Conditions of Use

This drawing, including all information depicted herein (collectively, "Drawing"), is FUTEK's property and protected under applicable law, including copyright. FUTEK reserves all rights. The Drawing is provided solely for your information and exclusive use. **Except as expressly approved by FUTEK in writing, you may not reproduce or share this Drawing**, in whole or part, with any other firm or individual, or attempt to reverse engineer the Drawing or data contained therein. Any reproduction of this Drawing in whole or part must include this legend.

By accessing the Drawing, you agree that you have read, understand, and agree to abide by the stated Terms and Conditions of Use.

© 2023 FUTEK Advanced Sensor Technology, Inc.

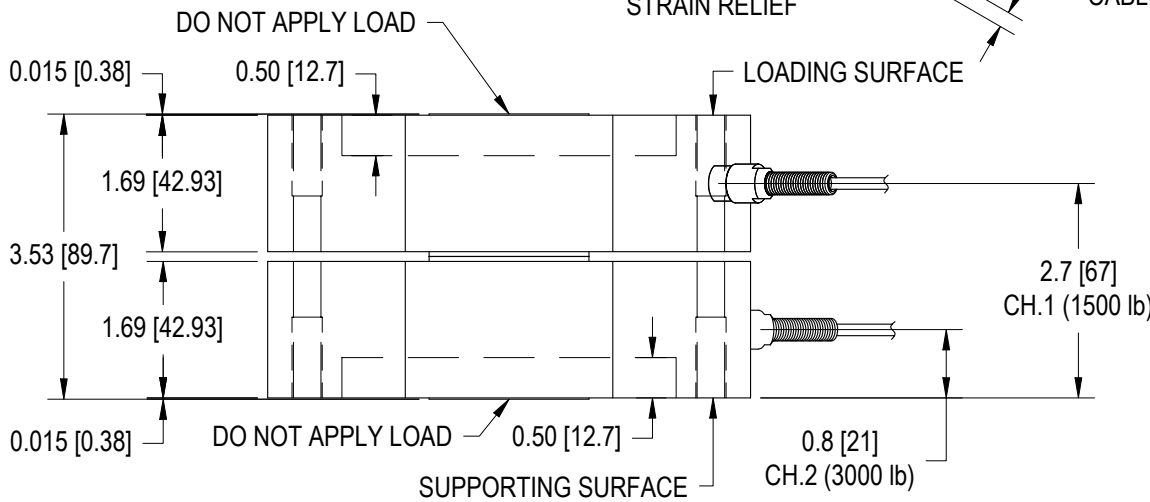
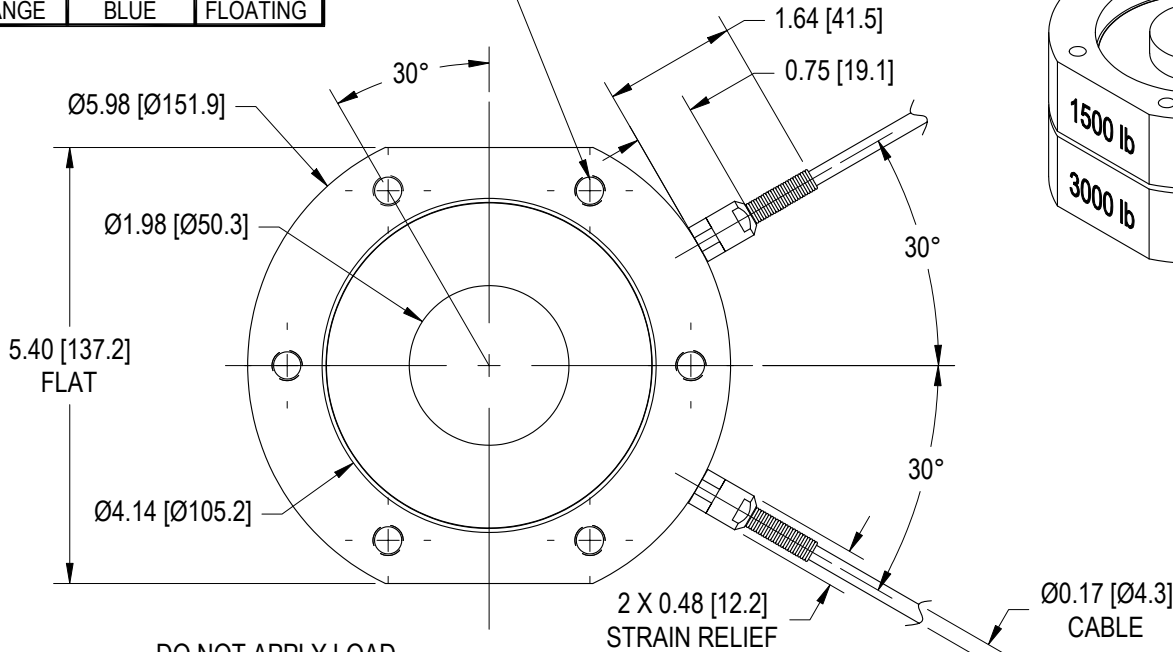
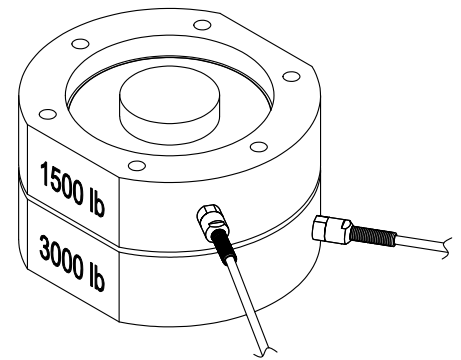
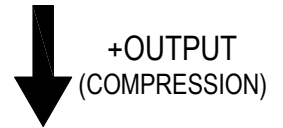
FUTEK MODEL QLA243

STOCK NUMBER: QSH00595

DUAL RANGE COMPRESSION LOAD CELL

INCH (mm)		R.O.= Rated Output	
WIRING CODE WC4 (CH.1 & CH.2)			
+Excitation	-Excitation	+Signal	-Signal
RED	BLACK	GREEN	WHITE
+Sense	-Sense	Shield	
ORANGE	BLUE	FLOATING	

6 X 3/8-24-2B X 1.00 [25.4] DEEP
(BOTH SIDES)
Ø0.34 [Ø8.6] THRU
EQUALLY SPACED ON 5.00 [127.0] B.C.D.



SPECIFICATIONS:

RATED OUTPUT	1.5 mV/V nom. (CH.1 & CH.2)	TEMP. SHIFT ZERO	±0.02% of R.O./°F
CAPACITY	1500 lbs (CH.1), 3000 lbs (CH.2)	TEMP. SHIFT SPAN	±0.02% of LOAD/°F
SAFE OVERLOAD	150% of R.O.	COMPENSATED TEMP.	60 to 160°F
ZERO BALANCE	±3% of R.O.	OPERATING TEMP.	0 to 200°F
EXCITATION (VDC OR VAC)	18 MAX	WEIGHT	18 lbs [8 kg]
BRIDGE RESISTANCE	700 Ω nom.	MATERIAL	STAINLESS STEEL
NONLINEARITY	±1% of R.O.	CABLE: #28 AWG, 6 CONDUCTOR, BRAIDED SHEILDED POLYURETHANE CABLE, 50 ft. [15m]	
NONREPEATABILITY	±0.5% of R.O.		

MATERIAL:

—

HEAT TREATMENT - FINISH:

—

REVISIONS: (Refer to dwg # revision sheet)

△ XXX

OUTLINE DRAWING

STANDARD NOTES: (Unless Otherwise Specified)

- ALL DIMENSIONS ARE IN INCHES
- DRAWING INTERPRETATION DIMS. PER ASME-Y14.5M
- REMOVE BURRS AND BREAK SHARP EDGES .005 - .015
- THREADS PER HANDBOOK H-28
- DIMENSIONS ARE SHOWN AFTER PLATING

ANGLE:

±1/2°

CHAMFER:

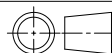
±5°

TOLERANCE:

.XX ±.01

.XXX ±.005

3rd ANGLE PROJ.



FUTEK

CAGE: 1X8M6

MODEL: QLA243

DRAWN BY: H. AU

APPROVED BY: XXXXX

This drawing, including all information depicted herein (collectively, "Drawing"), is FUTEK's property and protected under applicable law, including copyright. FUTEK reserves all rights. The Drawing is provided solely for your information and exclusive use. Except as expressly approved by FUTEK in writing, you may not reproduce or share this Drawing, in whole or part, with any other firm or individual, or attempt to reverse engineer the Drawing or data contained therein. Any reproduction of this Drawing in whole or part must include this legend.

DWG No.: FO1098

CHECKED BY: XXXXX

DATE: JUL. 11, 2005