

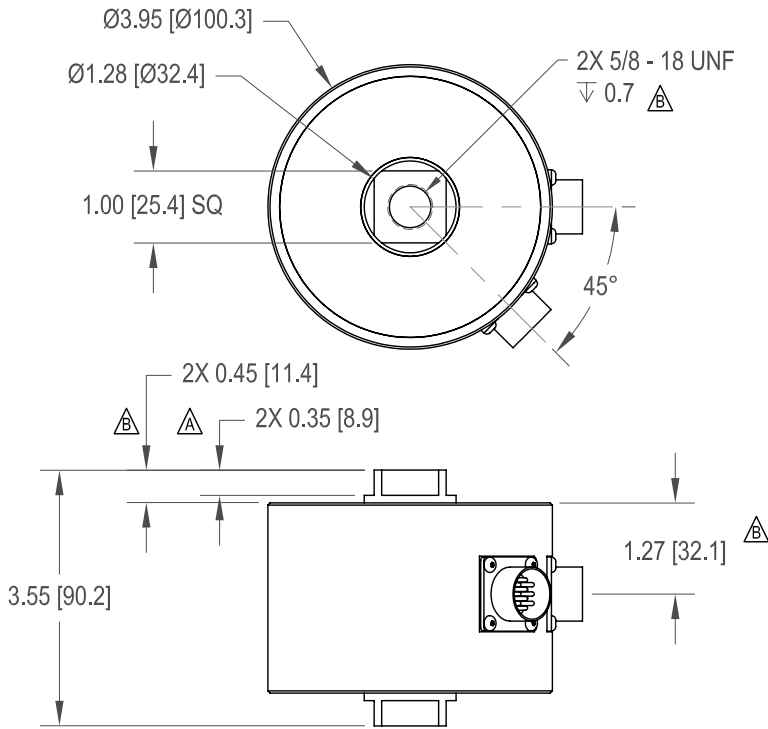
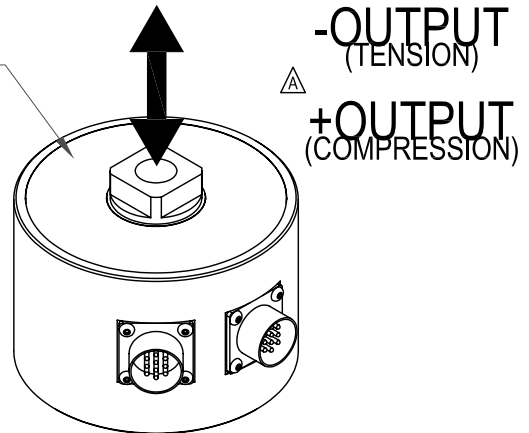
FUTEK MODEL QLA335

Tension and Compression Overload Protected Load Cell

ITEM NUMBER: SEE CHART

INCH [mm]		R.O.= Rated Output	
WIRING CODE			
+Excitation	-Excitation	+Signal	-Signal
D & H	B & K	E & J	A & F
TEDS Data		TEDS Gnd	
C		G	

ISOLATION DIAPHRAGMS
DO NOT CONTACT OR DAMAGE



SPECIFICATIONS:

RATED OUTPUT (mV/V)	SEE CHART nom.
CAPACITY	SEE CHART
SAFE OVERLOAD	15,000 lb MAX
ZERO BALANCE	±3% of R.O.
EXCITATION (VDC OR VAC)	15 MAX
BRIDGE RESISTANCE	350 Ω nom
NONLINEARITY	±0.2% of R.O.
HYSTERESIS	±0.2% of R.O.
NONREPEATABILITY	±0.05% of R.O.
TEMP. SHIFT ZERO	±0.005% of R.O./°F (0.009% of R.O./°C)
TEMP. SHIFT SPAN	±0.005% of LOAD/°F (0.009% of LOAD/°C)
COMPENSATED TEMP.	60 to 160°F (15 to 71°C)
OPERATING TEMP.	0 to 200°F (-18 to 93°C)
MATERIAL	STAINLESS STEEL
CONNECTOR:	2X PC02E-12-10P

ITEM #	lb	NEWTON	RATED OUTPUT
QSH01465	250	1112	2
QSH01412	500	2224	2
QSH01466	1000	4448	2
QSH01476	2000	8896	3
QSH01477	3000	13344	3
QSH01478	5000	22240	3
QSH01479	10000	44480	3

OUTLINE DRAWING

STANDARD NOTES: (Unless Otherwise Specified)

- ALL DIMENSIONS ARE IN INCHES
- DRAWING INTERPRETATION DIMS. PER ASME-Y14.5M
- REMOVE BURRS AND BREAK SHARP EDGES .005 - .015
- THREADS PER HANDBOOK H-28
- DIMENSIONS ARE SHOWN AFTER PLATING

3rd ANGLE PROJ.



ANGLE:
±1/2°

CHAMFER:
±5°

TOLERANCE:
.X ±0.1
.XX ±0.01
.XXX ±0.005

This drawing is submitted solely for the information and exclusive use of the original addressee. It is not to be divulged in whole or in part, by any firm or individual without written permission from:

FUTEK
ADVANCED SENSOR TECHNOLOGY, INC.

10 THOMAS
IRVINE, CA 92618 USA
Phone: (949) 465-0900
Fax: (949) 465-0905

CAGE: 1X8M6

MODEL: **QLA335**

DRAWN BY: R. WALKER

APPROVED BY: -

DWG No.: **FO1269-C**

CHECKED BY: J. MOKHERBY

DATE: **June 18, 2010**

- REVISIONS: (Refer to dwg # revision sheet)
- 6-30-10
 - 1-14-11
 - 1-28-11