

## Terms and Conditions of Use

This drawing, including all information depicted herein (collectively, "Drawing"), is FUTEK's property and protected under applicable law, including copyright. FUTEK reserves all rights. The Drawing is provided solely for your information and exclusive use. **Except as expressly approved by FUTEK in writing, you may not reproduce or share this Drawing**, in whole or part, with any other firm or individual, or attempt to reverse engineer the Drawing or data contained therein. Any reproduction of this Drawing in whole or part must include this legend.

By accessing the Drawing, you agree that you have read, understand, and agree to abide by the stated Terms and Conditions of Use.

© 2023 FUTEK Advanced Sensor Technology, Inc.

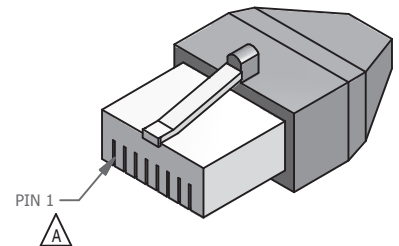
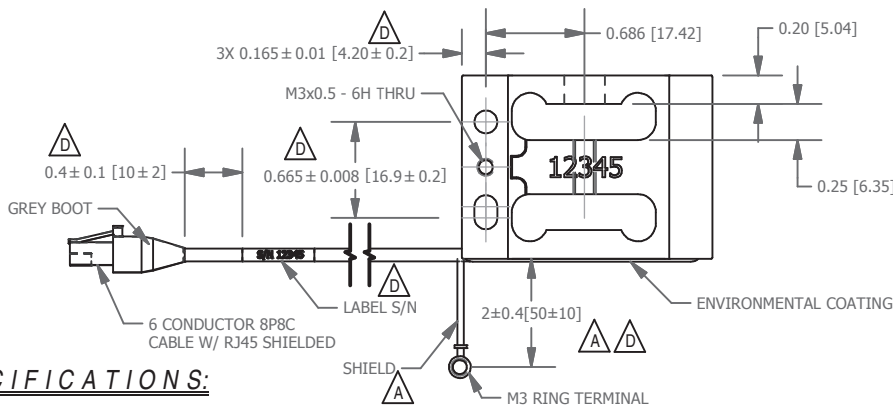
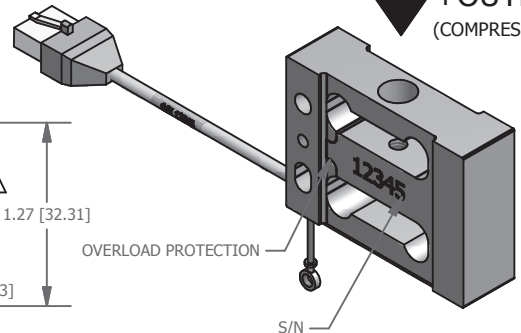
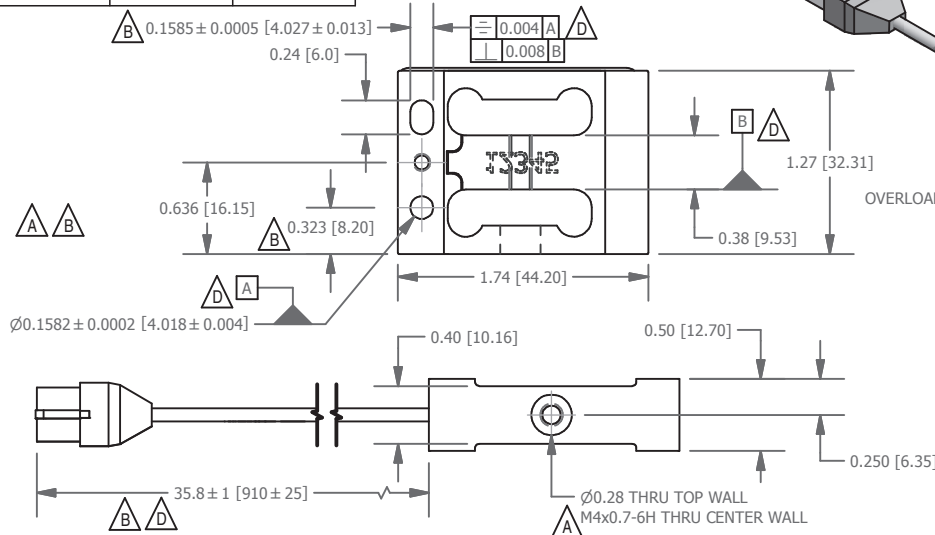
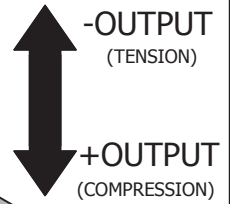
# FUTEK MODEL QLA350

## Parallelogram Load Cell w/ Overload Protection

ITEM NUMBER: See Chart



INCH [mm]		R.O.= Rated Output	
WIRING CODE (WC 4)			
+Excitation	-Excitation	+Signal	-Signal
RED PIN 1	BLACK PIN 6	GREEN PIN 4	WHITE PIN 5
+SENSE	-SENSE	GROUND	
ORANGE PIN 2	BLUE PIN 3	SHIELD FLOATING	



### SPECIFICATIONS:

RATED OUTPUT	2 mV/V nom.
CAPACITY	See Chart
SAFE OVERLOAD	250 lb [1112 N]
ZERO BALANCE	±2% of R.O.
EXCITATION (VDC OR VAC)	18 MAX
BRIDGE RESISTANCE	1000 Ω nom
NONLINEARITY	±0.1% of R.O.
HYSTERESIS	±0.1% of R.O.
NONREPEATABILITY	±0.1% of R.O.
TEMP. SHIFT ZERO	±0.005% of R.O./°F (±0.01% of R.O./°C)
TEMP. SHIFT SPAN	±0.005% of LOAD/°F (±0.01% of LOAD/°C)
COMPENSATED TEMP.	60 to 160 °F (16 to 71 °C)
OPERATING TEMP	0 to 160 °F (-18 to 71 °C)
WEIGHT (approx)	1.5 oz
MATERIAL	Aluminum

CABLE: 28 Awg, 6 Conductor Braided Shielded Poly Cable. Jacket Material Compliant to UL 94 V-0 and Cable compliant to UL AWM Style: 20549 for 80 Deg C / 30 Volts

ITEM #	Capacity
QSH01510	50 lb (222.4 N)
QSH01596	100 lb (444.8 N)



This drawing, including all information depicted herein (collectively, "Drawing"), is FUTEK's property and protected under applicable law, including copyright. FUTEK reserves all rights. The Drawing is provided solely for your information and exclusive use. Except as expressly approved by FUTEK in writing, you may not reproduce or alter this Drawing, in whole or part, with any other firm or individual, or attempt to reverse engineer the Drawing or data contained therein. Any reproduction of this Drawing in whole or part must include this legend.



CUSTOMER APPROVAL- COMPANY:

## OUTLINE DRAWING

MODEL: <b>QLA350</b>	DWG No.: <b>FO1291-D</b>
DRAWN BY: <b>R. WALKER</b>	CREATED DATE: <b>5/10/2011</b>
APPROVED BY: <b>J. MOKHBERY</b>	APPROVED DATE: <b>5/10/2011</b>
CHECKED BY:	CAGE: 1X8M6 SHEET: 1 OF 1

CUSTOMER APPROVAL- NAME / DATE:

STANDARD NOTES: (Unless Otherwise Specified)  
 ALL DIMENSIONS ARE IN INCHES  
 DRAWING INTERPRETATION DIMS. PER ASME-Y14.5M  
 REMOVE BURRS AND BREAK SHARP EDGES .005 - .015  
 THREADS PER HANDBOOK H-28  
 DIMENSIONS ARE SHOWN AFTER PLATING

ANGLE:  
± 1/2°

CHAMFER:  
± 5°

TOLERANCE:  
.X ± 0.1"  
.XX ± 0.01"  
.XXX ± 0.005"



3rd ANGLE PROJ.

REVISIONS: (Refer to dwg # revision sheet)

A	10/25/2011
B	4/4/2012
C	6/13/2013
D	10/15/2014