

## Terms and Conditions of Use

This drawing, including all information depicted herein (collectively, "Drawing"), is FUTEK's property and protected under applicable law, including copyright. FUTEK reserves all rights. The Drawing is provided solely for your information and exclusive use. **Except as expressly approved by FUTEK in writing, you may not reproduce or share this Drawing**, in whole or part, with any other firm or individual, or attempt to reverse engineer the Drawing or data contained therein. Any reproduction of this Drawing in whole or part must include this legend.

By accessing the Drawing, you agree that you have read, understand, and agree to abide by the stated Terms and Conditions of Use.

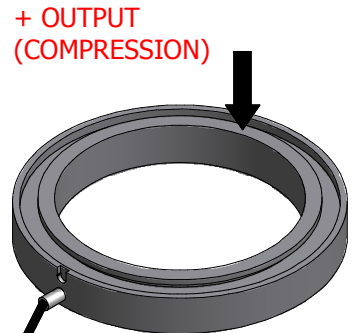
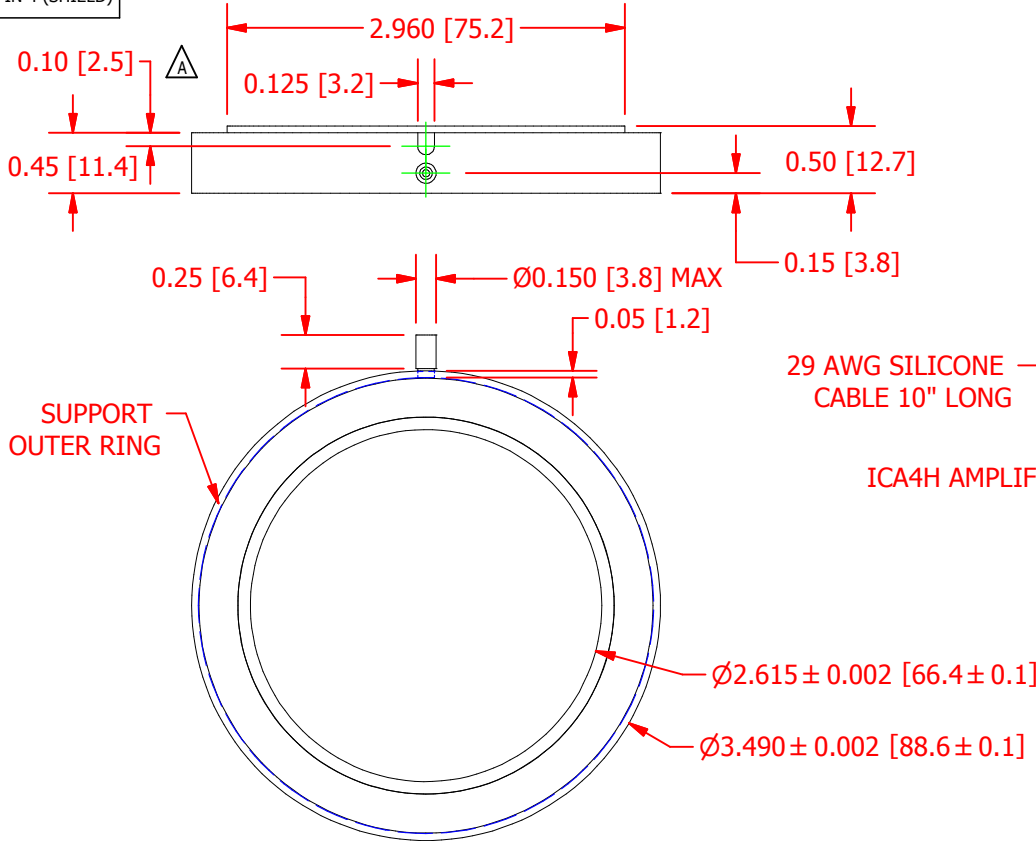
© 2023 FUTEK Advanced Sensor Technology, Inc.

# FUTEK MODEL QLA352

# CUSTOM DONUT LOAD CELL w/ AMPLIFIER

ITEM NUMBER: QSH01530

INCH [mm]		R.O. = Rated Output	
WIRING CODE			
Supply +	Supply -	Output + (mA)	Output - (mA)
PIN 3 (RED)	PIN 2 (BLACK)	PIN 5 (WHITE)	PIN 6 (GREEN)
Ground Floating			
PIN 4 (SHIELD)			



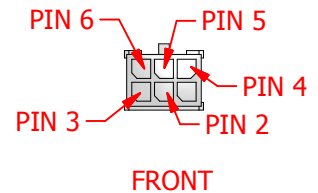
29 AWG SILICONE CABLE 10" LONG

ICA4H AMPLIFIER

0430200601  
MOLEX CONNECTOR  
WITH 430310008  
MALE PINS

24 AWG PVC  
7" LONG

FRONT



## SPECIFICATIONS:

RATED OUTPUT	4-20 mA (3 wire).
CAPACITY	1000 lb [4.45kN]
SAFE OVERLOAD	150% of R.O.
ZERO BALANCE	±3 of R.O.
EXCITATION	13-30 VDC @ 42 mA min
NONLINEARITY	±0.5 of R.O.
HYSTERISIS	±0.5 of R.O.
NONREPEATABILITY	±0.5 of R.O.
TEMP. SHIFT ZERO	±0.01% of R.O./°F (±0.018 of R.O./°C)
TEMP. SHIFT SPAN	±0.01% of LOAD/°F (±0.018 of LOAD/°C)
COMPENSATED TEMP.	60 to 160 °F (16 to 71 °C)
OPERATING TEMP	-60 to 185 °F (-51 to 85 °C)
WEIGHT (approx)	0.3 lb
MATERIAL	17-4ph S.S.

CABLE: 10 inch #29 Awg Silicone cable to MANTRACOURT amplifies with 7 inch #26 Awg silicone cable to MOLEX 0430200601 connector w/ 430310008 male pins

This drawing, including all information depicted herein (collectively, "Drawing"), is FUTEK's property and protected under applicable law, including copyright. FUTEK reserves all rights. The Drawing is provided solely for your information and exclusive use. Except as expressly approved by FUTEK in writing, you may not reproduce or share this Drawing in whole or part with any other firm or individual, or attempt to reverse engineer the Drawing or data contained therein. Any reproduction of this Drawing in whole or part must include this legend.

# FUTEK

MODEL: <b>QLA352</b>	DWG No.: <b>FO1296-A</b>
DRAWN BY: E. PANO	CREATED DATE: 8/15/2011
APPROVED BY: R. WALKER	APPROVED DATE: 8/18/2011
CHECKED BY:	CAGE: 1X8M6 SHEET: 1 OF 1

## OUTLINE DRAWING

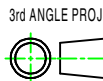
STANDARD NOTES: (Unless Otherwise Specified)

ALL DIMENSIONS ARE IN INCHES  
DRAWING INTERPRETATION DIMS. PER ASME-Y14.5M  
REMOVE BURRS AND BREAK SHARP EDGES .005 - .015  
THREADS PER HANDBOOK H-28  
DIMENSIONS ARE SHOWN AFTER PLATING

ANGLE:  
± 1/2°

CHAMFER:  
± 5°

TOLERANCE:  
.X ± 0.1"  
.XX ± 0.01"  
.XXX ± 0.005"



CUSTOMER APPROVAL- COMPANY:

CUSTOMER APPROVAL- NAME / DATE:

REVISIONS: (Refer to dwg # revision sheet)

A	8/22/2011
---	-----------