

Terms and Conditions of Use

This drawing, including all information depicted herein (collectively, "Drawing"), is FUTEK's property and protected under applicable law, including copyright. FUTEK reserves all rights. The Drawing is provided solely for your information and exclusive use. **Except as expressly approved by FUTEK in writing, you may not reproduce or share this Drawing**, in whole or part, with any other firm or individual, or attempt to reverse engineer the Drawing or data contained therein. Any reproduction of this Drawing in whole or part must include this legend.

By accessing the Drawing, you agree that you have read, understand, and agree to abide by the stated Terms and Conditions of Use.

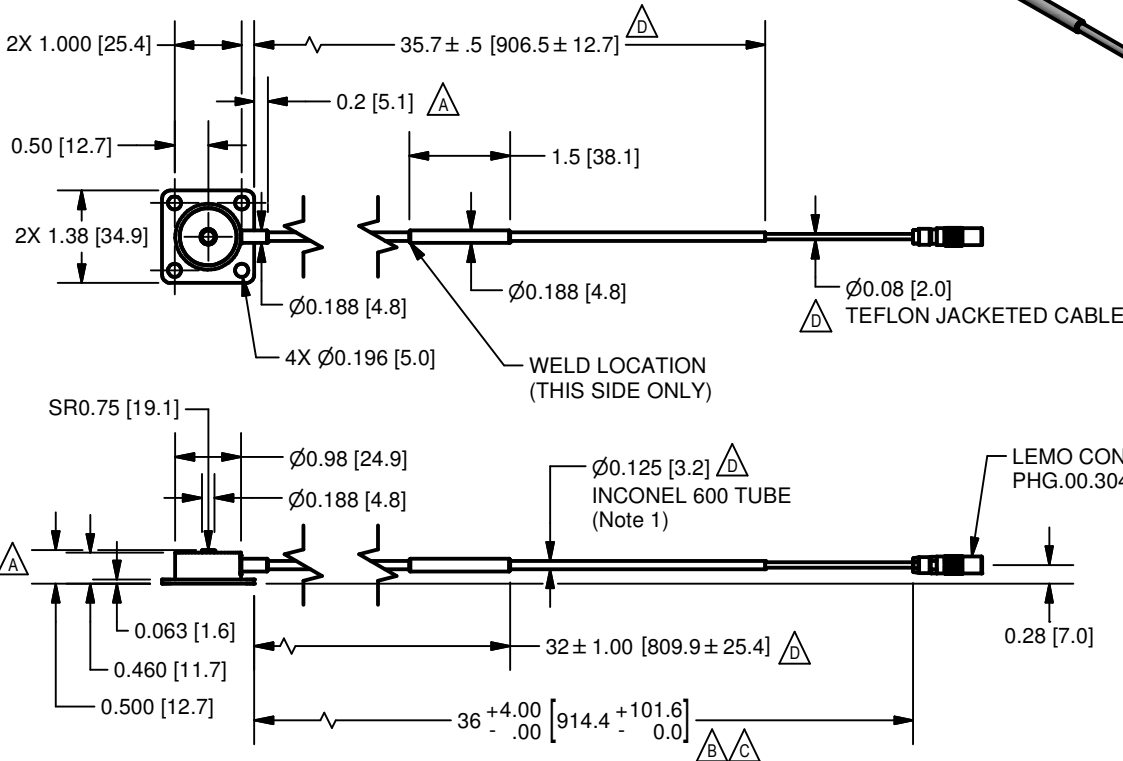
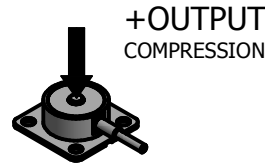
© 2023 FUTEK Advanced Sensor Technology, Inc.

FUTEK MODEL QLA354

Custom Compression Load Cell, 500F Temperature, 1800 psi Case Pressure

ITEM NUMBER: QSH01536

| | | | |
|-------------------|-------------|--------------------|---------|
| INCH [mm] | | R.O.= Rated Output | |
| WIRING CODE (CC4) | | | |
| +Excitation | -Excitation | +Signal | -Signal |
| PIN 1 | PIN 4 | PIN 2 | PIN 3 |



SPECIFICATIONS:

| | |
|--|---|
| RATED OUTPUT | 1 mV/V nom. |
| CAPACITY | 100 lb [445 N] |
| SAFE OVERLOAD | 150% of R.O. |
| ZERO BALANCE | ± 10 of R.O. |
| EXCITATION (VDC OR VAC) | 15 MAX |
| BRIDGE RESISTANCE | 350 Ω nom |
| NONLINEARITY | ± 1 of R.O. |
| HYSTERESIS | ± 1 of R.O. |
| NONREPEATABILITY | ± 0.5 of R.O. |
| OPERATING TEMP | 60 to 500 °F (16 to 260 °C) |
| MATERIAL | Flexure- Inconel 718, Tubing- Inconel 600 |
| CABLE: 29 AWG, 4 Conductor Spiral Shielded Teflon Cable with Inconel 600 Sheathing | |
| Connected to 4 Pin Lemo PHG.00.304 Removable Connector Body | |

Notes:
 1) Minimum Bend Radius 0.413 [10.5], Cable Sheathing wall thickness 0.02 [0.5]



This drawing, including all information depicted herein (collectively, "Drawing"), is FUTEK's property and protected under applicable law, including copyright. FUTEK reserves all rights. The Drawing is provided solely for your information and exclusive use. Except as expressly approved by FUTEK in writing, you may not reproduce or share this Drawing, in whole or part, with any other firm or individual, or attempt to reverse engineer the Drawing or data contained therein. Any reproduction of this Drawing in whole or part must include this legend.

FUTEK

| | |
|-----------------------|---------------------------|
| MODEL: QLA354 | DWG No.: FO1305-D |
| DRAWN BY: R. Walker | CREATED DATE: 12/1/2011 |
| APPROVED BY: - | APPROVED DATE: |
| CHECKED BY: J. Vargas | CAGE: 1X8M6 SHEET: 1 OF 1 |

OUTLINE DRAWING

STANDARD NOTES: (Unless Otherwise Specified)

ALL DIMENSIONS ARE IN INCHES
 DRAWING INTERPRETATION DIMS. PER ASME-Y14.5M
 REMOVE BURRS AND BREAK SHARP EDGES .005 - .015
 THREADS PER HANDBOOK H-28
 DIMENSIONS ARE SHOWN AFTER PLATING

ANGLE:
± 1/2°

CHAMFER:
± 5°

TOLERANCE:
 .X ± 0.1"
 .XX ± 0.01"
 .XXX ± 0.005"

3rd ANGLE PROJ.



CUSTOMER APPROVAL- COMPANY:

CUSTOMER APPROVAL- NAME / DATE:

REVISIONS: (Refer to dwg # revision sheet)

| | |
|---|-----------|
| A | 2/21/2012 |
| B | 2/24/2012 |
| C | 4/02/2012 |
| D | 5/21/2012 |