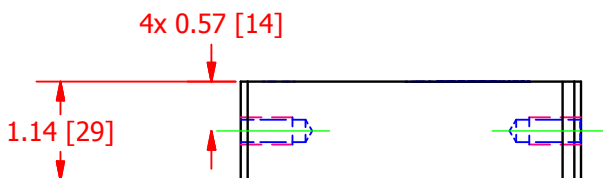
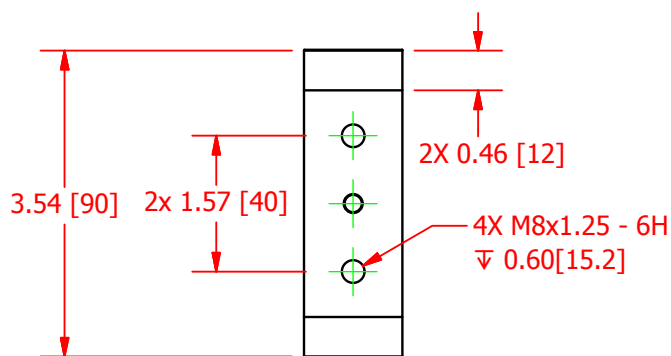
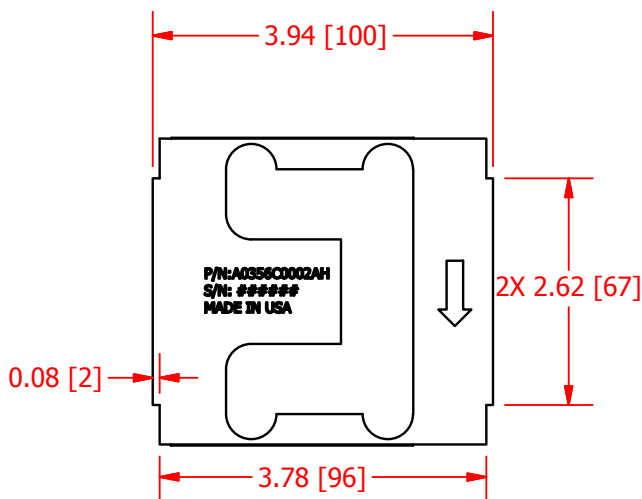
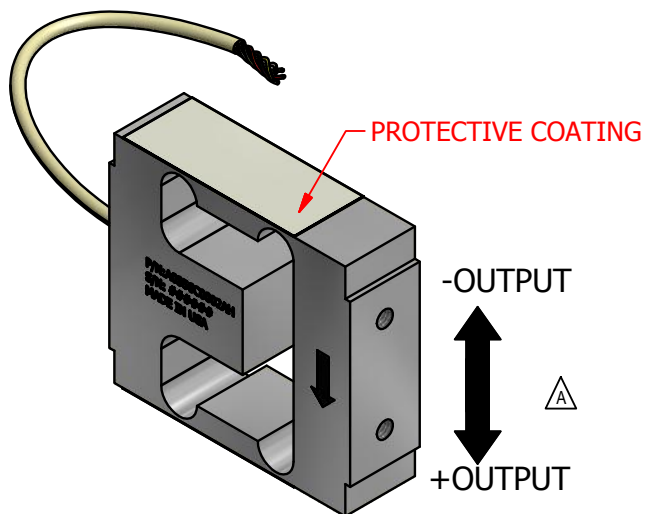


FUTEK MODEL QLA361

Parallel Beam Load Cell

ITEM NUMBER: QSH01629

INCH [mm]	R.O.= Rated Output		
WIRING CODE			
+Excitation	-Excitation	+Signal	-Signal
WHITE	GREEN	RED	BLACK
Shield			
Floating			



SPECIFICATIONS:

RATED OUTPUT	2 mV/V nom.
CAPACITY	10 kg [22 lb]
SAFE OVERLOAD	150% of R.O.
ZERO BALANCE	±2% of R.O.
EXCITATION (VDC OR VAC)	10 MAX
BRIDGE RESISTANCE	350 Ω nom
NONLINEARITY	±0.05% of R.O.
HYSTERESIS	±0.05% of R.O.
NONREPEATABILITY	±0.01% of R.O.
TEMP. SHIFT ZERO	±0.01% of R.O./°F (±0.018 of R.O./°C)
TEMP. SHIFT SPAN	±0.01% of LOAD/°F (±0.018 of LOAD/°C)
COMPENSATED TEMP.	60 to 160 °F (16 to 71 °C)
OPERATING TEMP	0 to 160 °F (-18 to 71 °C)
WEIGHT (approx)	1 lb
MATERIAL	Aluminum
CABLE: 24 Awg, 4 Conductor Braided Shielded PVC Cable, 11 in Long	

CUSTOMER APPROVAL- COMPANY:

CUSTOMER APPROVAL- NAME / DATE:

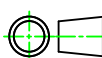
REVISIONS: (Refer to dwg # revision sheet)

A	5/1/13
---	--------

OUTLINE DRAWING

STANDARD NOTES: (Unless Otherwise Specified)
 ALL DIMENSIONS ARE IN INCHES
 DRAWING INTERPRETATION DIMS. PER ASME-Y14.5M
 REMOVE BURRS AND BREAK SHARP EDGES .005 - .015
 THREADS PER HANDBOOK H-28
 DIMENSIONS ARE SHOWN AFTER PLATING

3rd ANGLE PROJ.



ANGLE:
± 1/2

CHAMFER:
± 5

TOLERANCE:
.X ± 0.1"
.XX ± 0.01"
.XXX ± 0.005"

This drawing is submitted solely for the information and exclusive use of the original addressee. It is not to be divulged in whole or in part, by any firm or individual without written permission from:

FUTEK
 ADVANCED SENSOR TECHNOLOGY, INC.
 10 THOMAS, IRVINE, CA 92618 USA
 Phone: (949) 465-0900
 Fax: (949) 465-0905

MODEL: **QLA361** DWG No.: **FO1328-A**

DRAWN BY: *E. Pano* CREATED DATE: 9/13/2012

APPROVED BY: *R. Walker* APPROVED DATE: 9/18/2012

CHECKED BY: CAGE: 1X8M6 SHEET: 1 OF 1