

Terms and Conditions of Use

This drawing, including all information depicted herein (collectively, "Drawing"), is FUTEK's property and protected under applicable law, including copyright. FUTEK reserves all rights. The Drawing is provided solely for your information and exclusive use. **Except as expressly approved by FUTEK in writing, you may not reproduce or share this Drawing**, in whole or part, with any other firm or individual, or attempt to reverse engineer the Drawing or data contained therein. Any reproduction of this Drawing in whole or part must include this legend.

By accessing the Drawing, you agree that you have read, understand, and agree to abide by the stated Terms and Conditions of Use.

© 2023 FUTEK Advanced Sensor Technology, Inc.

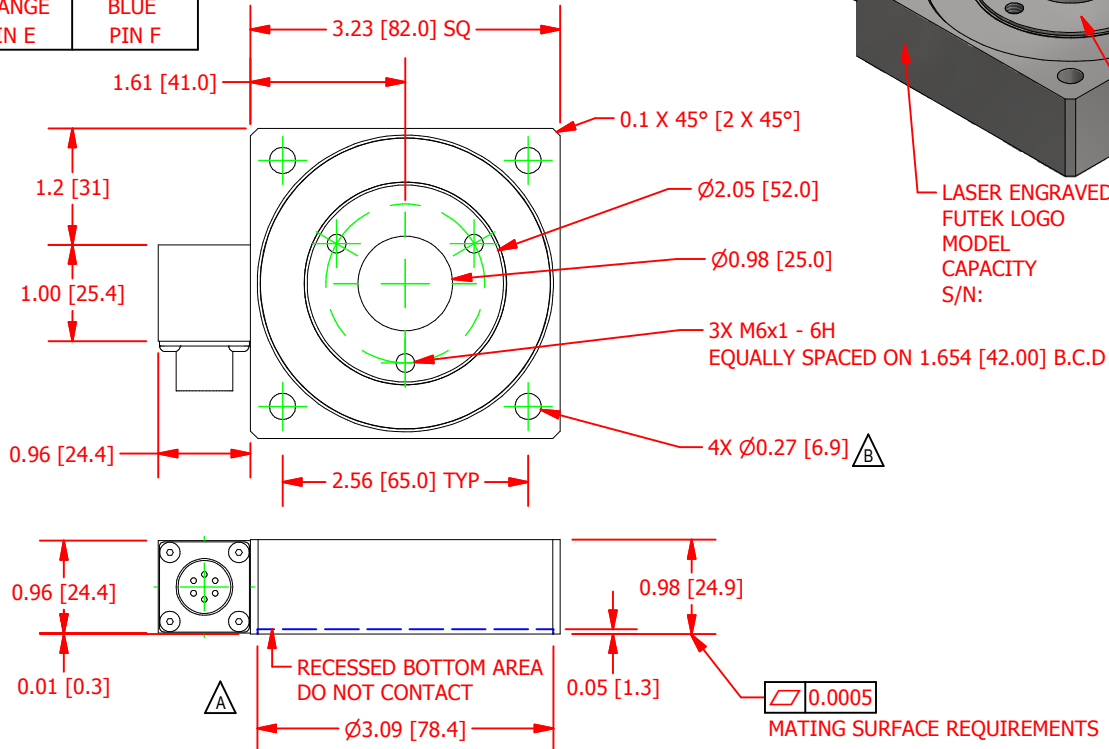
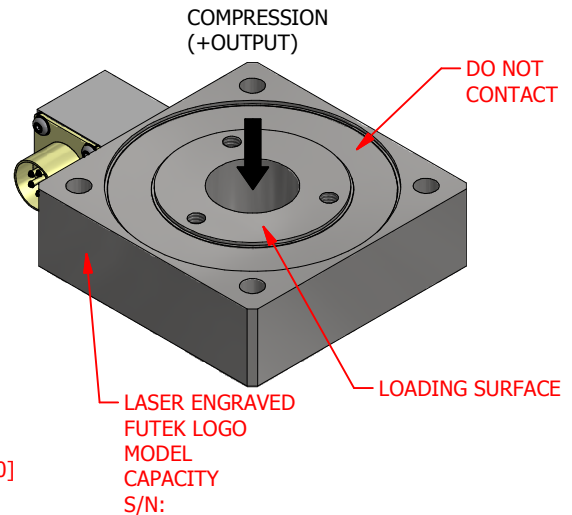
FUTEK MODEL QLA370

CUSTOM COMPRESSION LOADCELL

ITEM NUMBER: QSH01650

INCH [mm] | R.O. = Rated Output

WIRING CODE			
+ Excitation	- Excitation	+ Signal	- Signal
RED PIN A	BLACK PIN B	GREEN PIN C	WHITE PIN D
+ Sense	-Sense		
ORANGE PIN E	BLUE PIN F		



SPECIFICATIONS:

RATED OUTPUT	2 mV/V nom.
CAPACITY	1200 lb [5.338kN]
SAFE OVERLOAD	150% of R.O.
ZERO BALANCE	±5% of R.O.
EXCITATION (VDC OR VAC)	18 MAX
BRIDGE RESISTANCE	350 Ω nom
NONLINEARITY	±0.5% of R.O.
HYSTERESIS	±0.5% of R.O.
NONREPEATABILITY	±0.2% of R.O.
TEMP. SHIFT ZERO	±0.01% of R.O./°F (±0.018 of R.O./°C)
TEMP. SHIFT SPAN	±0.01% of LOAD/°F (±0.018 of LOAD/°C)
COMPENSATED TEMP.	60 to 160 °F (16 to 71 °C)
OPERATING TEMP	-40 to 200 °F (-40 to 93 °C)
WEIGHT (approx)	2 lb
MATERIAL	17-4ph S.S.
CONNECTOR: 6 PIN BENDIX, PT02E-10-6P	

CUSTOMER APPROVAL- COMPANY:

OUTLINE DRAWING

FUTEK

This drawing, including all information depicted herein (collectively, "Drawing"), is FUTEK's property and protected under applicable law, including copyright. FUTEK reserves all rights. The Drawing is provided solely for your information and exclusive use. Except as expressly approved by FUTEK in writing, you may not reproduce or share this Drawing, in whole or part, with any other firm or individual, or attempt to reverse engineer the Drawing or data contained therein. Any reproduction of this Drawing in whole or part must include this legend.

CUSTOMER APPROVAL- NAME / DATE:

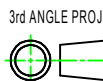
STANDARD NOTES: (Unless Otherwise Specified)

ALL DIMENSIONS ARE IN INCHES
DRAWING INTERPRETATION DIMS. PER ASME-Y14.5M
REMOVE BURRS AND BREAK SHARP EDGES .005 - .015
THREADS PER HANDBOOK H-28
DIMENSIONS ARE SHOWN AFTER PLATING

ANGLE:
± 1/2°

CHAMFER:
± 5°

TOLERANCE:
.X ± 0.1"
.XX ± 0.01"
.XXX ± 0.005"



MODEL: **QLA370** DWG No.: **FO1339-B**

DRAWN BY: R. Walker CREATED DATE: 2/18/2013

APPROVED BY: APPROVED DATE:

CHECKED BY: J. Vargas CAGE: 1X8M6 SHEET: 1 OF 1

REVISIONS: (Refer to dwg # revision sheet)

A	2/22/13
B	4/1/2013