

## Terms and Conditions of Use

This drawing, including all information depicted herein (collectively, "Drawing"), is FUTEK's property and protected under applicable law, including copyright. FUTEK reserves all rights. The Drawing is provided solely for your information and exclusive use. **Except as expressly approved by FUTEK in writing, you may not reproduce or share this Drawing**, in whole or part, with any other firm or individual, or attempt to reverse engineer the Drawing or data contained therein. Any reproduction of this Drawing in whole or part must include this legend.

By accessing the Drawing, you agree that you have read, understand, and agree to abide by the stated Terms and Conditions of Use.

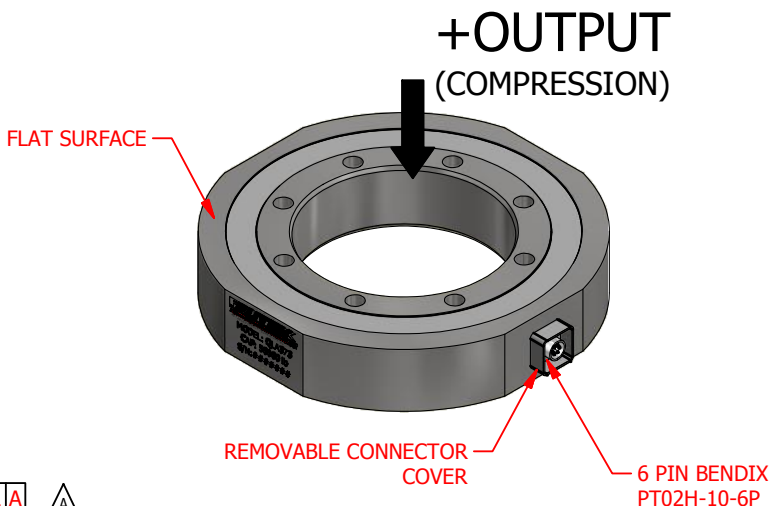
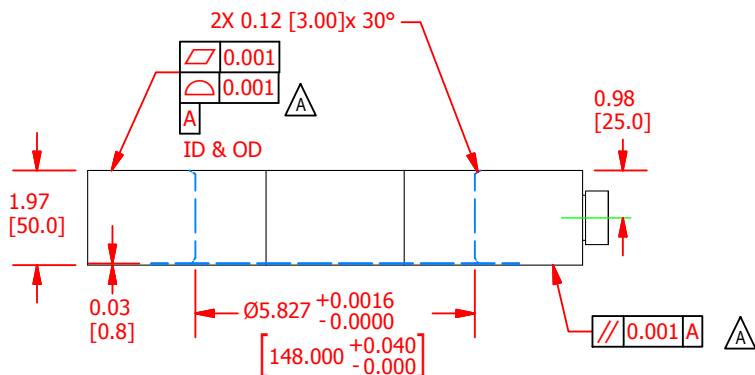
© 2023 FUTEK Advanced Sensor Technology, Inc.

# FUTEK MODEL QLA373

## Low Profile Fatigue Rated Load Cell

ITEM NUMBER: QSH01667

INCH [mm]		R.O.= Rated Output	
WIRING CODE (CC1)			
+ Excitation	- Excitation	+ Signal	- Signal
PIN A	PIN B	PIN C	PIN D
+ Sense	- Sense		
PIN E	PIN F		



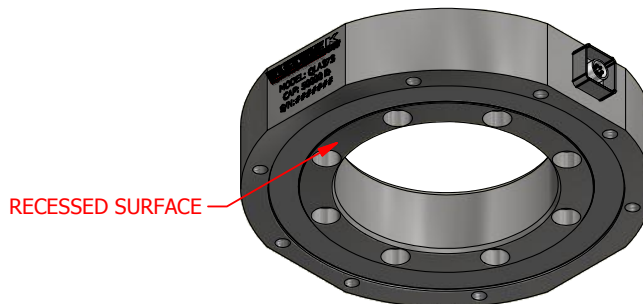
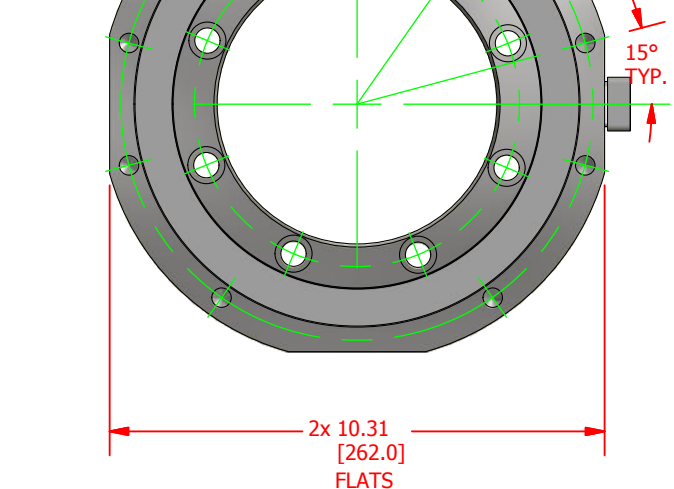
Ø8X M12x1.75  $\nabla$  0.94 [24.0]  
ON 9.842[250.0] B.C.D.

Ø8X 0.53[13.50]  $\nabla$  THRU  
Ø0.77[19.50]  $\nabla$  0.51[13.0]  
ON 6.772[172.0] B.C.D

Ø9.29 [236.0]

Ø7.66 [194.6]

Ø10.71 [272.0]



### SPECIFICATIONS:

RATED OUTPUT	1.5 mV/V nom.
CAPACITY	50000 lb [222.4kN]
SAFE OVERLOAD	150% of R.O.
ZERO BALANCE	±3% of R.O.
EXCITATION (VDC OR VAC)	18 MAX
BRIDGE RESISTANCE	175 $\Omega$ nom $\nabla$
NONLINEARITY	±0.5% of R.O.
HYSTERESIS	±0.5% of R.O.
NONREPEATABILITY	±0.1% of R.O.
TEMP. SHIFT ZERO	±0.02% of R.O./°F (±0.036 of R.O./°C)
TEMP. SHIFT SPAN	±0.02% of LOAD/°F (±0.036 of LOAD/°C)
COMPENSATED TEMP.	60 to 160 °F (16 to 71 °C)
OPERATING TEMP	0 to 200 °F (-18 to 93 °C)
WEIGHT (approx)	23 lb
MATERIAL	17-4ph S.S.
CONNECTOR:	6 PIN BENDIX PT02H-10-6P

CUSTOMER APPROVAL- COMPANY:

CUSTOMER APPROVAL- NAME / DATE:

REVISIONS: (Refer to dwg # revision sheet)

A	5/22/13
B	8/5/2013

## OUTLINE DRAWING

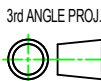
STANDARD NOTES: (Unless Otherwise Specified)

ALL DIMENSIONS ARE IN INCHES  
DRAWING INTERPRETATION DIMS. PER ASME-Y14.5M  
REMOVE BURRS AND BREAK SHARP EDGES .005 - .015  
THREADS PER HANDBOOK H-28  
DIMENSIONS ARE SHOWN AFTER PLATING

ANGLE:  
± 1/2

CHAMFER:  
± 5

TOLERANCE:  
.X ± 0.1"  
.XX ± 0.01"  
.XXX ± 0.005"



# FUTEK

This drawing, including all information depicted herein (collectively, "Drawing"), is FUTEK's property and protected under applicable law, including copyright. FUTEK reserves all rights. The Drawing is provided solely for your information and exclusive use. Except as expressly approved by FUTEK in writing, you may not reproduce or share this Drawing in whole or part, with any other firm or individual, or attempt to reverse engineer the Drawing or data contained therein. Any reproduction of this Drawing in whole or part must include this legend.

MODEL: <b>QLA373</b>	DWG No.: <b>FO1348-B</b>
DRAWN BY: <i>E. Pano</i>	CREATED DATE: 4/30/2013
APPROVED BY: <i>R. Walker</i>	APPROVED DATE: 5/1/2013
CHECKED BY:	CAGE: 1X8M6 SHEET: 1 OF 1