

# FUTEK MODEL QLA386

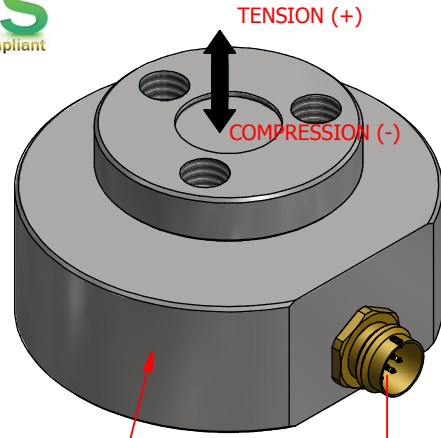
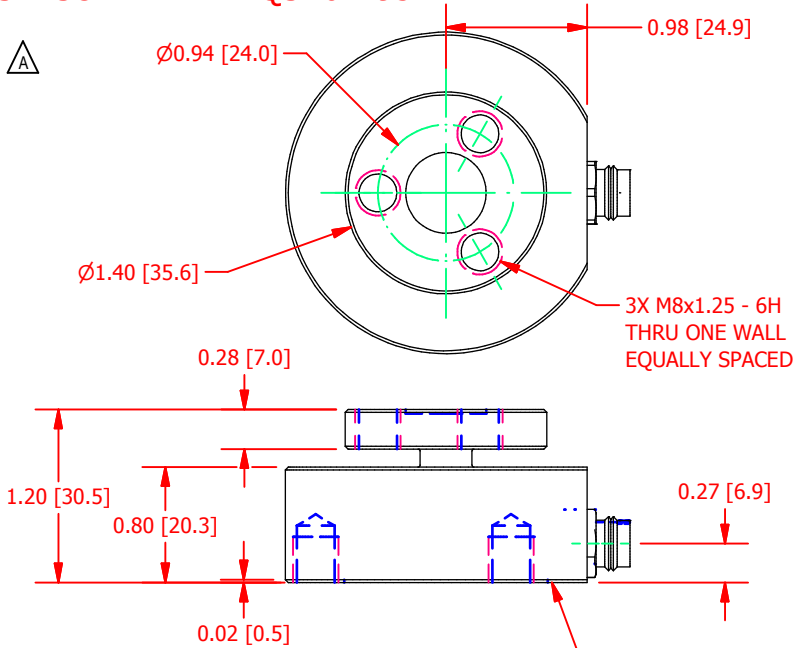
## CUSTOM TENSION AND COMPRESSION LOAD CELL WITH DIGITAL OUTPUT

ITEM NUMBER: SEE SHEETS

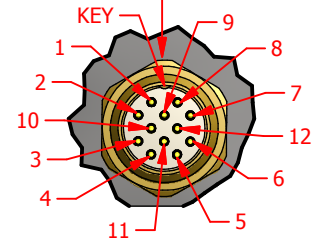
INCH [mm] | R.O.= Rated Output



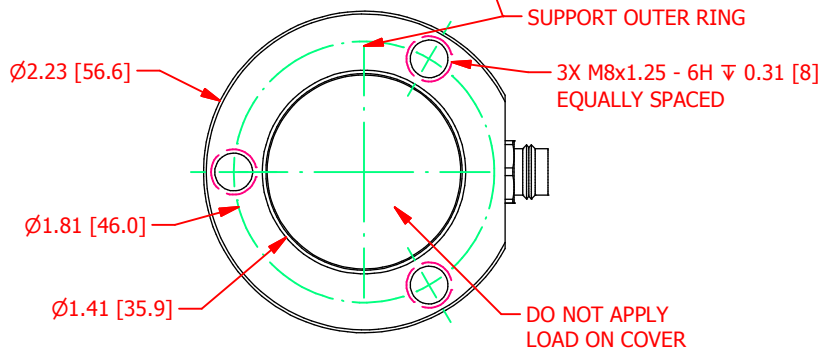
SENSOR ITEM #: QSH01793



LASER ENGRAVED  
FUTEK LOGO  
ITEM #  
CAPACITY:  
S/N:

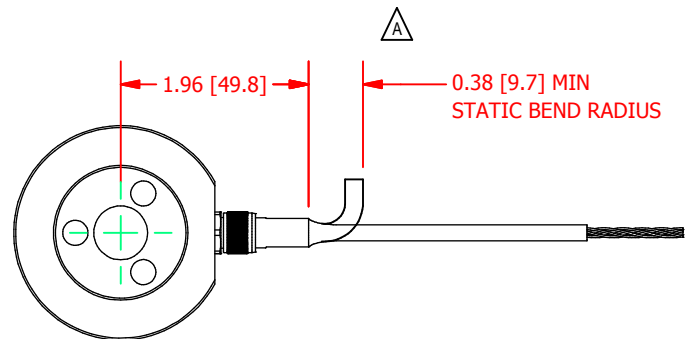


CONNECTOR CODE	
PIN #	DESIGNATION
1	GND
2	+D
3	-D
4	VBUS
5	RST (Internal Use Only)
6	Tx
7	Rx
8	PROG (Internal Use Only)
9	GND
10	N/C
11	N/C
12	N/C



**SPECIFICATIONS:**

OUTPUT FORMAT	8 CHARACTER ASCII
OUTPUT TYPE	FULL DUPLEX UART (RS232)
BAUD RATE (COMMUNICATION)	57600 BITS/SECOND
CAPACITY	500 lb. [2220N]
ADC SAMPLING RATE	100 SPS
SAFE OVERLOAD	150 % of R.O.
POWER SUPPLY (VDC)	5 V +/- 2% / 1 W
NONLINEARITY	±0.5% of R.O.
HYSTERESIS	±0.5% of R.O.
NONREPEATABILITY	±0.5% of R.O.
COMPENSATED TEMP.	60 to 160 °F (16 to 71 °C)
OPERATING TEMP	32 to 160 °F (0 to 71 °C)
WEIGHT (approx)	0.9 lb [408.2 g]
MATERIAL	17-4 PH S.S.
DEFLECTION	0.001 [0.0254] nom.
CONNECTOR: MICROCOM CONNECTOR, 12 PIN	
RoHS LEAD FREE	YES
ISO13485 COMPLIANCE	YES
IPC/WHMA-A-620 COMPLIANCE	YES



CUSTOMER APPROVAL- COMPANY:

## OUTLINE DRAWING

This drawing is submitted solely for the information and exclusive use of the original addressee. It is not to be divulged in whole or in part, by any firm or individual without written permission from:

**FUTEK**  
ADVANCED SENSOR TECHNOLOGY, INC.  
10 THOMAS, IRVINE, CA 92618 USA  
Phone: (949) 465-0900  
Fax: (949) 465-0905

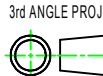
CUSTOMER APPROVAL- NAME / DATE:

STANDARD NOTES: (Unless Otherwise Specified)  
ALL DIMENSIONS ARE IN INCHES  
DRAWING INTERPRETATION DIMS. PER ASME-Y14.5M  
REMOVE BURRS AND BREAK SHARP EDGES .005 - .015  
THREADS PER HANDBOOK H-28  
DIMENSIONS ARE SHOWN AFTER PLATING

ANGLE:  
± 1/2°

CHAMFER:  
± 5°

TOLERANCE:  
.X ± 0.1"  
.XX ± 0.01"  
.XXX ± 0.005"



MODEL: **QLA386**

DWG No.: **FO1390-A**

DRAWN BY: R. Walker

CREATED DATE: 5/4/2015

APPROVED BY: B. FARD MOGHADDAM

APPROVED DATE: 5/8/2015

CHECKED BY:

CAGE: 1X8M6 SHEET: 1 OF 2

REVISIONS: (Refer to dwg # revision sheet)

A	5-13-15
---	---------

# FUTEK MODEL QLA386

## CUSTOM TENSION AND COMPRESSION LOAD CELL WITH DIGITAL OUTPUT

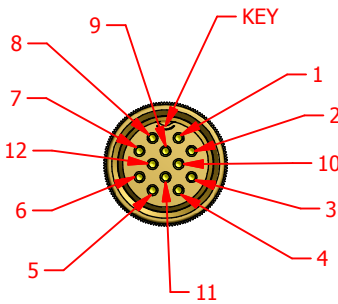
ITEM NUMBER: SEE SHEETS

INCH [mm] | R.O.= Rated Output

CABLE ITEM #: QSH01795



CONNECTOR CODE	
PIN #	DESIGNATION
1	GND (BLACK)
4	VBUS (RED)
6	Tx (GREEN)
7	Rx (WHITE)
9	GND (BLUE)
△ SHELL	SHIELD (360 Deg Coverage)
2, 3, 5, 8, 10, 11, 12	N/C



△

CUSTOMER APPROVAL- COMPANY:

### OUTLINE DRAWING

This drawing is submitted solely for the information and exclusive use of the original addressee. It is not to be divulged in whole or in part, by any firm or individual without written permission from:

**FUTEK**  
ADVANCED SENSOR TECHNOLOGY, INC.  
10 THOMAS, IRVINE, CA 92618 USA  
Phone: (949) 465-0900  
Fax: (949) 465-0905

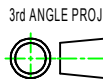
CUSTOMER APPROVAL- NAME / DATE:

STANDARD NOTES: (Unless Otherwise Specified)  
ALL DIMENSIONS ARE IN INCHES  
DRAWING INTERPRETATION DIMS. PER ASME-Y14.5M  
REMOVE BURRS AND BREAK SHARP EDGES .005 - .015  
THREADS PER HANDBOOK H-28  
DIMENSIONS ARE SHOWN AFTER PLATING

ANGLE:  
± 1/2°

CHAMFER:  
± 5°

TOLERANCE:  
.X ± 0.1"  
.XX ± 0.01"  
.XXX ± 0.005"



REVISIONS: (Refer to dwg # revision sheet)

MODEL: **QLA386**

DWG No.: **FO1390-A**

DRAWN BY: R. Walker

CREATED DATE: 5/4/2015

APPROVED BY: B. FARD MOGHADDAM

APPROVED DATE: 5/8/2015

CHECKED BY:

CAGE: 1X8M6 SHEET: 2 OF 2