

Terms and Conditions of Use

This drawing, including all information depicted herein (collectively, "Drawing"), is FUTEK's property and protected under applicable law, including copyright. FUTEK reserves all rights. The Drawing is provided solely for your information and exclusive use. **Except as expressly approved by FUTEK in writing, you may not reproduce or share this Drawing**, in whole or part, with any other firm or individual, or attempt to reverse engineer the Drawing or data contained therein. Any reproduction of this Drawing in whole or part must include this legend.

By accessing the Drawing, you agree that you have read, understand, and agree to abide by the stated Terms and Conditions of Use.

© 2023 FUTEK Advanced Sensor Technology, Inc.

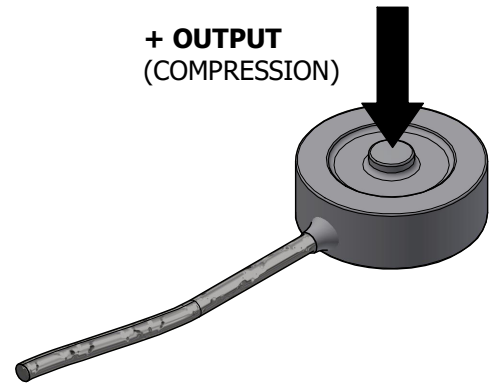
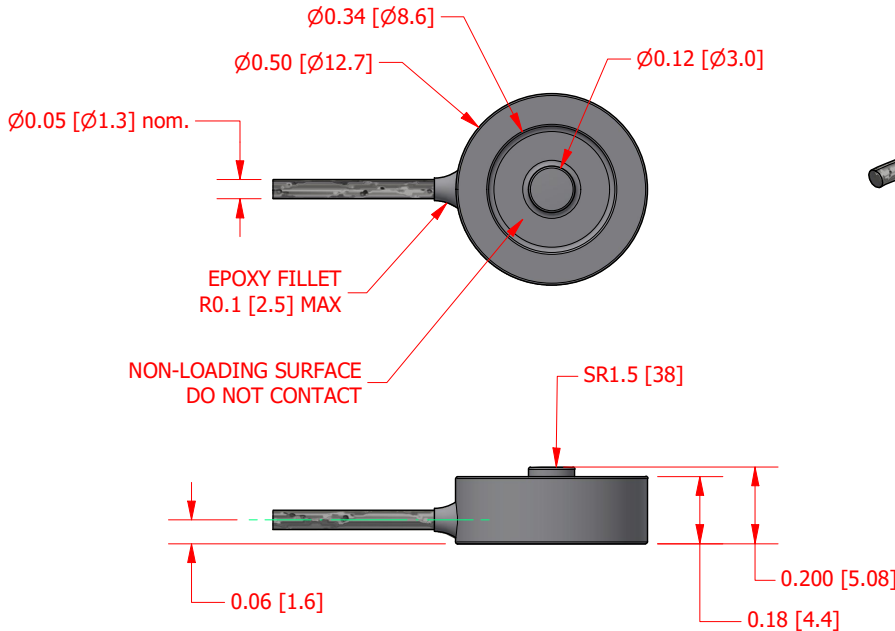
FUTEK MODEL QLA387

CUSTOM SUBMINIATURE LOAD BUTTON LOAD CELL

ITEM NUMBER: QSH02344

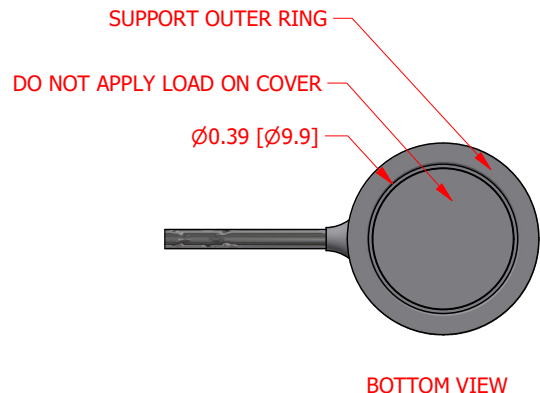


INCH [mm]		R.O.= Rated Output	
WIRING CODE			
+ Excitation	- Excitation	+ Signal	- Signal
RED	BLACK	GREEN	WHITE
Shield			
TO SENSOR BODY			



SPECIFICATIONS:

RATED OUTPUT	1.5 mV/V nom.
CAPACITY	500 lb. [2220N]
MAX OVERLOAD	500 lb [2224 N]
ULTIMATE/STRUCTURE OVERLOAD	750 lb [3336 N]
ZERO BALANCE	±5% of R.O.
EXCITATION (VDC OR VAC)	7 MAX
BRIDGE RESISTANCE	1000 Ω nom.
NONLINEARITY	±0.5% of R.O.
HYSTERESIS	±0.5% of R.O.
NONREPEATABILITY	±0.5% of R.O.
TEMP. SHIFT ZERO	±0.01% of R.O./°F (±0.018 of R.O./°C)
TEMP. SHIFT SPAN	±0.02% of LOAD/°F (±0.036 of LOAD/°C)
COMPENSATED TEMP.	60 to 160 °F (16 to 71 °C)
OPERATING TEMP	-60 to 200 °F (-51 to 93 °C)
WEIGHT (approx)	0.01 lb [3.2 g]
MATERIAL	17-4 PH S.S.
DEFLECTION	0.0005 [0.013] nom.
IP RATING	IP64
FATIGUE LIFE	100,000 CYCLES @500lb



CUSTOMER APPROVAL- COMPANY:
CUSTOMER APPROVAL- NAME / DATE:
REVISIONS: (Refer to dwg # revision sheet)

OUTLINE DRAWING

STANDARD NOTES: (Unless Otherwise Specified)

ALL DIMENSIONS ARE IN INCHES
DRAWING INTERPRETATION DIMS. PER ASME-Y14.5
REMOVE BURRS AND BREAK SHARP EDGES .005 - .015
THREADS PER HANDBOOK H-28
DIMENSIONS ARE SHOWN AFTER PLATING

ANGLE: ± 1/2°
CHAMFER: ± 5°
TOLERANCE:
.X ± 0.1"
.XX ± 0.01"
.XXX ± 0.005"

3rd ANGLE PROJ.

This drawing, including all information depicted herein (collectively, "Drawing"), is FUTEK's property and protected under applicable law, including copyright. FUTEK reserves all rights. The Drawing is provided solely for your information and exclusive use. Except as expressly approved by FUTEK in writing, you may not reproduce or share this Drawing, in whole or part, with any other firm or individual, or attempt to reverse engineer the Drawing or data contained therein. Any reproduction of this Drawing in whole or part must include this legend.

FUTEK

MODEL: QLA387	DWG No.: F01634-0
DRAWN BY: <i>S. VOSOUGH</i>	CREATED DATE: <i>8/10/2023</i>
APPROVED BY: <i>M. ILLES</i>	APPROVED DATE: <i>8/10/2023</i>
CHECKED BY:	CAGE: 1X8M6 SHEET: 1 OF 1