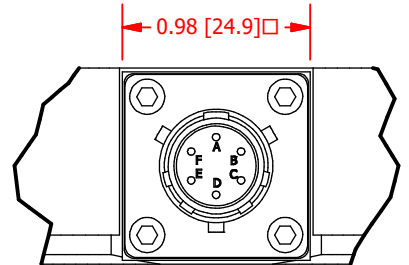
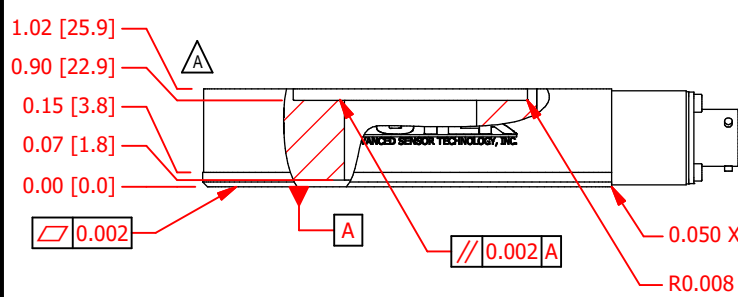
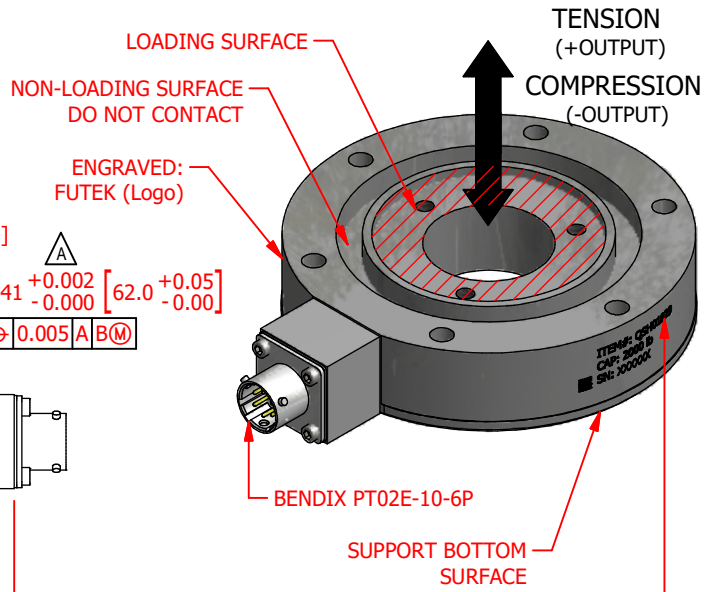
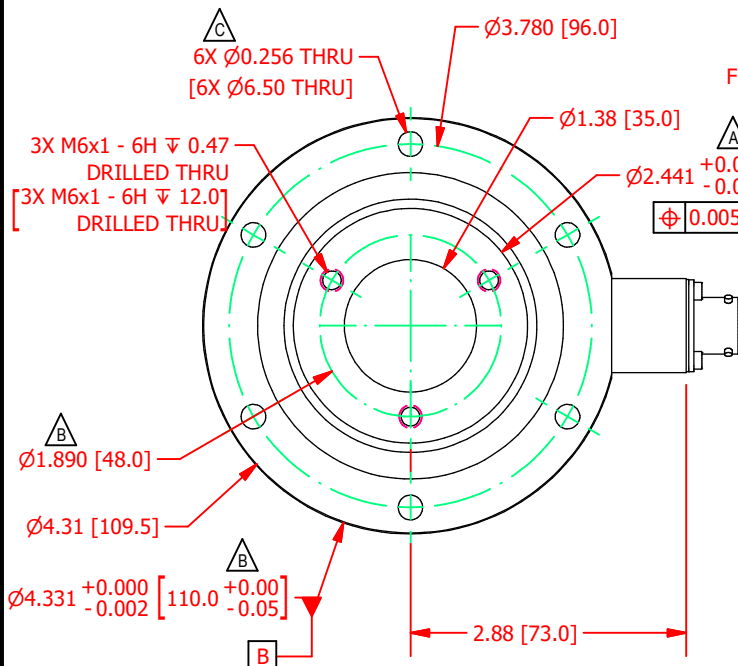


FUTEK MODEL QLA391

ITEM NUMBER: QSH01829

Custom Tension and Compression Thru Hole Load Cell w/ 4-20 mA Output

INCH [mm] R.O.= Rated Output		
WIRING CODE CC1C		
+ Power Supply	- Ground	+ Current Output
PIN A	PIN B	PIN C



SPECIFICATIONS:

RATED OUTPUT	±8 mA
CAPACITY	2000 lb. [8880N]
SAFE OVERLOAD	150 % of R.O.
ZERO BALANCE	12 mA
POWER SUPPLY	16-24 VDC
MAX OUTPUT LOAD IMPEDANCE	500 Ohm Δ
MAX CURRENT	46 mA @ Full Load
-3dB BANDWIDTH	1000 Hz
NONLINEARITY	±1% of R.O.
HYSTERESIS	±0.5% of R.O.
NONREPEATABILITY	±0.5% of R.O.
TEMP. SHIFT ZERO	±0.02% of R.O./°F (±0.036 of R.O./°C)
TEMP. SHIFT SPAN	±0.02% of LOAD/°F (±0.036 of LOAD/°C)
COMPENSATED TEMP.	60 to 160 °F (16 to 71 °C)
OPERATING TEMP	-13 to 185 °F (-25 to 85 °C)
WEIGHT (approx)	2 lb [907 g]
MATERIAL	17-4 PH S.S.
CONNECTOR:	BENDIX PT02E-10-6P
CALIBRATION (STD)	5 pt. TENSION AND COMPRESSION

CUSTOMER APPROVAL- COMPANY:

CUSTOMER APPROVAL- NAME / DATE:

REVISIONS: (Refer to dwg # revision sheet)

A	1/4/2016	F	7/11/2019
B	1/6/2016		
C	1/12/2016		
D	10/26/2016		
E	7/1/2019		

OUTLINE DRAWING

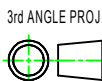
STANDARD NOTES: (Unless Otherwise Specified)

ALL DIMENSIONS ARE IN INCHES
DRAWING INTERPRETATION DIMS. PER ASME-Y14.5M
REMOVE BURRS AND BREAK SHARP EDGES .005 - .015
THREADS PER HANDBOOK H-28
DIMENSIONS ARE SHOWN AFTER PLATING

ANGLE:
± 1/2°

CHAMFER:
± 5°

TOLERANCE:
.X ± 0.1"
.XX ± 0.01"
.XXX ± 0.005"



This drawing is submitted solely for the information and exclusive use of the original addressee. It is not to be divulged in whole or in part, by any firm or individual without written permission from:

FUTEK
ADVANCED SENSOR TECHNOLOGY, INC.
10 THOMAS, IRVINE, CA 92618 USA
Phone: (949) 465-0900
Fax: (949) 465-0905

MODEL: **QLA391**

DRAWN BY: E. Pano

APPROVED BY: R. Walker

CHECKED BY:

DWG No.: **F01410-F**

CREATED DATE: 11/10/2015

APPROVED DATE: 11/11/2015

CAGE: 1X8M6 SHEET: 1 OF 1