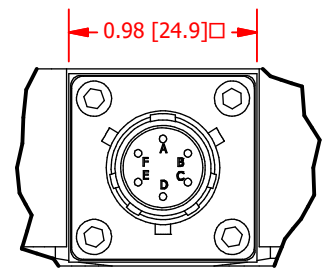
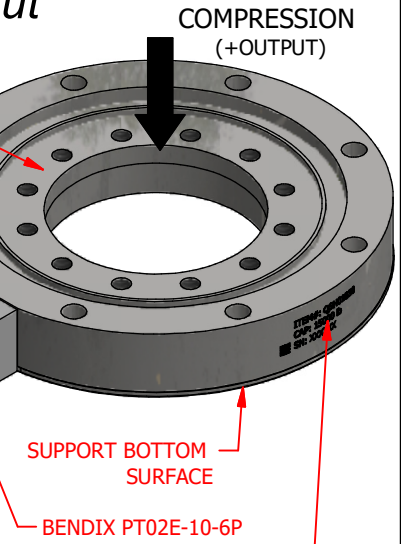
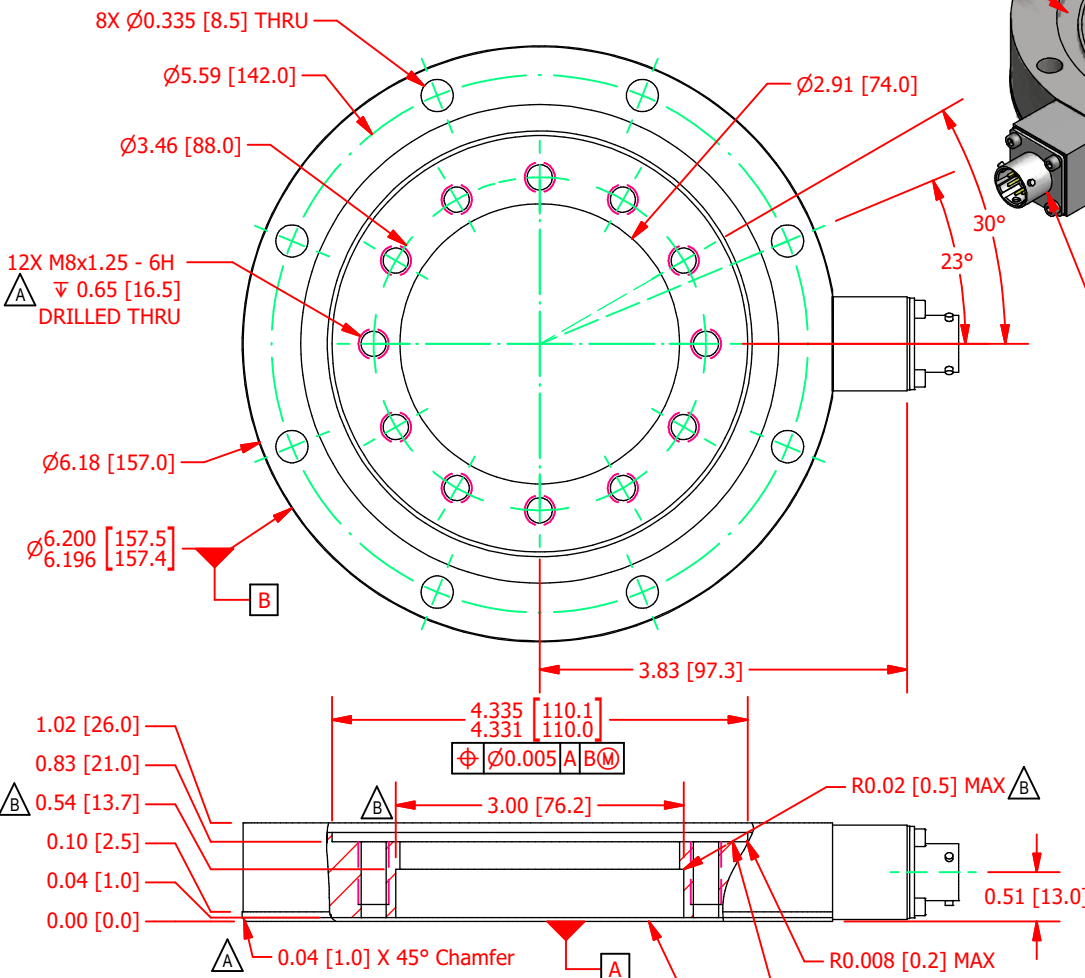


FUTEK MODEL QLA392

ITEM NUMBER: QSH01830

Custom Compression Thru Hole Load Cell w/ 4-16 mA Output

INCH [mm] R.O.= Rated Output		
WIRING CODE CC1C		
+ Power Supply	- Ground	+ Current Output
PIN A	PIN B	PIN C



SPECIFICATIONS:

RATED OUTPUT	12 mA Δ
CAPACITY	15000lb. [66600N]
SAFE OVERLOAD	300% of R.O.
ZERO BALANCE	4 mA
POWER SUPPLY	16-24 VDC Δ
MAX OUTPUT LOAD IMPEDANCE	500 Ohm Δ
MAX CURRENT	42 mA @ Full Load
-3dB BANDWIDTH	1000 Hz
NONLINEARITY	±1% of R.O.
HYSTERESIS	±0.5% of R.O.
NONREPEATABILITY	±0.5% of R.O.
TEMP. SHIFT ZERO	±0.02% of R.O./°F (±0.036 of R.O./°C)
TEMP. SHIFT SPAN	±0.02% of LOAD/°F (±0.036 of LOAD/°C)
COMPENSATED TEMP.	60 to 160 °F (16 to 71 °C)
OPERATING TEMP	-13 to 185 °F (-25 to 85 °C)
WEIGHT (approx)	6 lb [2721 g]
MATERIAL	17-4 PH S.S.
CONNECTOR:	BENDIX PT02E-10-6P
CALIBRATION (STD)	5 pt. COMPRESSION

CUSTOMER APPROVAL- COMPANY:

CUSTOMER APPROVAL- NAME / DATE:

REVISIONS: (Refer to dwg # revision sheet)

A	1/5/2016
B	7/7/2016
C	10/26/2016
D	7/1/2019
E	7/11/2019

OUTLINE DRAWING

STANDARD NOTES: (Unless Otherwise Specified)
 ALL DIMENSIONS ARE IN INCHES
 DRAWING INTERPRETATION DIMS. PER ASME-Y14.5M
 REMOVE BURRS AND BREAK SHARP EDGES .005 - .015
 THREADS PER HANDBOOK H-28
 DIMENSIONS ARE SHOWN AFTER PLATING

ANGLE: ± 1/2°
 CHAMFER: ± 5°
 TOLERANCE:
 .X ± 0.1"
 .XX ± 0.01"
 .XXX ± 0.005"

3rd ANGLE PROJ.

This drawing is submitted solely for the information and exclusive use of the original addressee. It is not to be divulged in whole or in part, by any firm or individual without written permission from:

FUTEK
 ADVANCED SENSOR TECHNOLOGY, INC.
 10 THOMAS, IRVINE, CA 92618 USA
 Phone: (949) 465-0900
 Fax: (949) 465-0905

MODEL: **QLA392**
 DRAWN BY: E. Pano
 APPROVED BY: R. Walker
 CHECKED BY:

DWG No.: **F01411-E**
 CREATED DATE: 11/10/2015
 APPROVED DATE: 11/11/2015
 CAGE: 1X8M6 SHEET: 1 OF 1