

# FUTEK MODEL QLA393

# Custom Thru Hole Load Cell

ITEM NUMBER: QSH02039

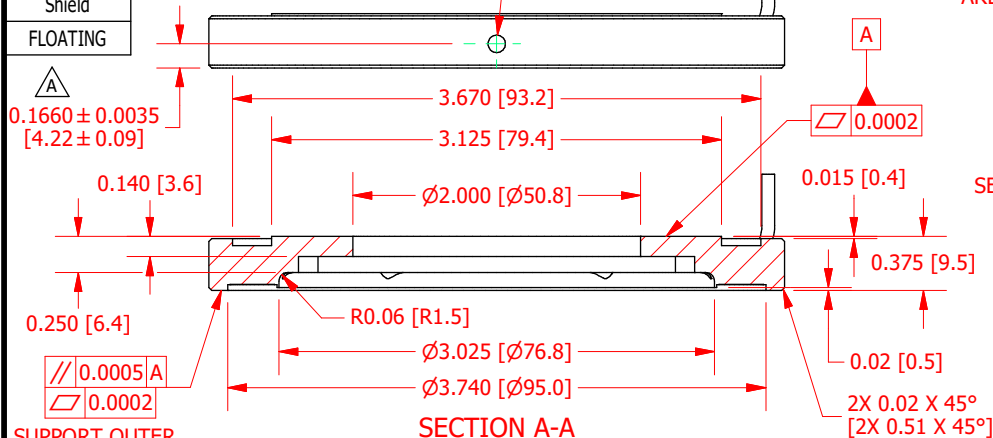
INCH [mm] | R.O. = Rated Output

**WIRING CODE: WC1**

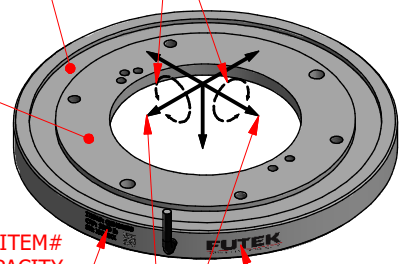
+ Excitation	- Excitation	+Signal	-Signal
RED	BLACK	GREEN	WHITE

Shield  
FLOATING

$\varnothing 0.120 \pm 0.002$  [3.05 ± 0.05]  
 $\nabla 0.079$  [2.0]  
 CUSTOMER TO INSTALL 3 MM  
 SPRING PIN INTO HOLE



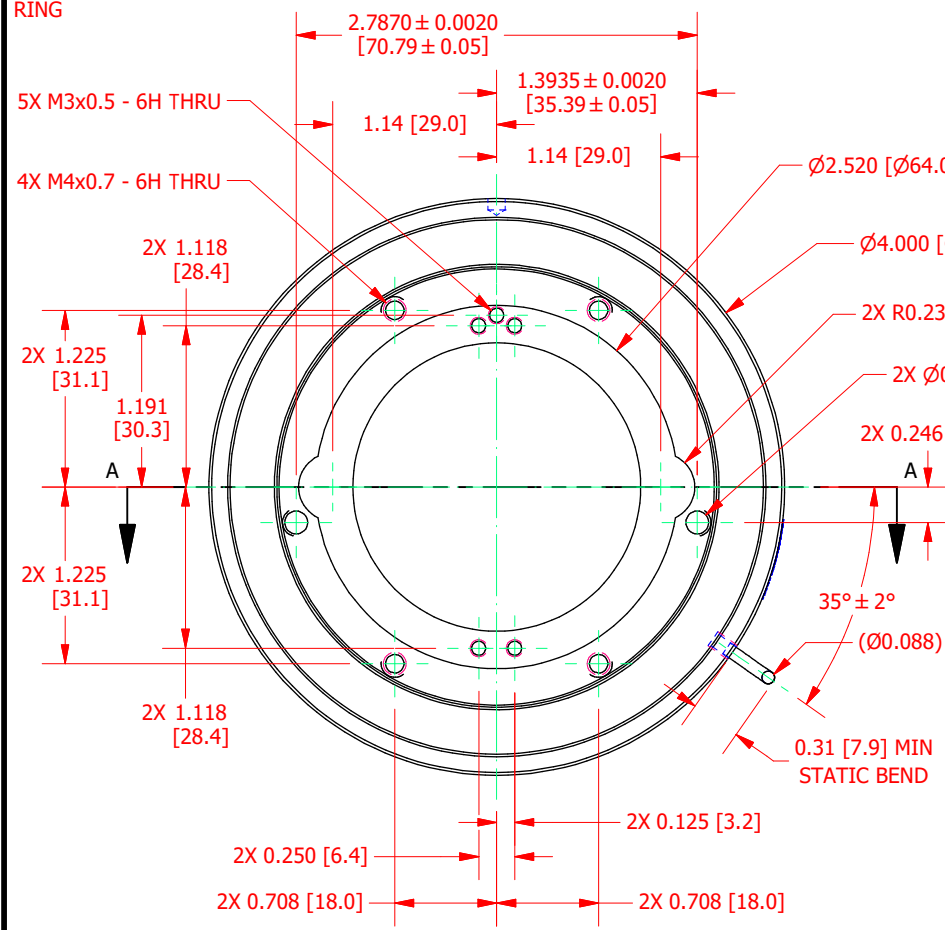
MINIMIZE EFFECTS OF  
Mx /My LOADS 400in-lb



MINIMIZE EFFECTS OF  
Fx /Fy LOADS 100 lb

SUPPORT OUTER RING

SECTION A-A



SPECIFICATIONS:	
RATED OUTPUT	3 mV/V nom.
CAPACITY	1000 lb. [4440N]
SAFE OVERLOAD	150 % of R.O.
ZERO BALANCE	±5% of R.O.
EXCITATION (VDC OR VAC)	15 MAX
BRIDGE RESISTANCE	700 Ω nom.
NONLINEARITY	±1% of R.O.
HYSTERESIS	±1% of R.O.
NONREPEATABILITY	±0.5% of R.O.
TEMP. SHIFT ZERO	±0.01% of R.O./°F (±0.018 of R.O./°C)
TEMP. SHIFT SPAN	±0.02% of LOAD/°F (±0.036 of LOAD/°C)
COMPENSATED TEMP.	50 to 100 °F (10 to 38 °C)
OPERATING TEMP	-60 to 200 °F (-51 to 93 °C)
WEIGHT (approx)	0.75 lb [340.1 g]
MATERIAL	17-4 PH S.S.
DEFLECTION	0.003 [0.013] nom.
CABLE: #29 Awg 4 Conductor Spiral Shielded Silicone Cable, 10 ft [3.0 m] Long	
MAX Fx/Fy RESISTANCE	100 lb
MAX Mx/My RESISTANCE	400 in-lb

CUSTOMER APPROVAL- COMPANY:

CUSTOMER APPROVAL- NAME / DATE:

REVISIONS: (Refer to dwg # revision sheet)

A	8/20/2019
---	-----------

## OUTLINE DRAWING

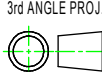
STANDARD NOTES: (Unless Otherwise Specified)

ALL DIMENSIONS ARE IN INCHES  
 DRAWING INTERPRETATION DIMS. PER ASME-Y14.5  
 REMOVE BURRS AND BREAK SHARP EDGES .005 - .015  
 THREADS PER HANDBOOK H-28  
 DIMENSIONS ARE SHOWN AFTER PLATING

ANGLE:  
± 1/2°

CHAMFER:  
± 5°

TOLERANCE:  
.X ± 0.1"  
.XX ± 0.01"  
.XXX ± 0.005"



This drawing is submitted solely for the information and exclusive use of the original addressee. It is not to be divulged in whole or in part, by any firm or individual without written permission from:

## FUTEK

ADVANCED SENSOR TECHNOLOGY, INC.  
 10 THOMAS, IRVINE, CA 92618 USA  
 Phone: (949) 465-0900  
 Fax: (949) 465-0905

MODEL: **QLA393** DWG No.: **FO1485-A**

DRAWN BY: S. MICHEL CREATED DATE: 9/12/2018

APPROVED BY: R. WALKER APPROVED DATE: 9/12/2018

CHECKED BY: CAGE: 1X8M6 SHEET: 1 OF 1