

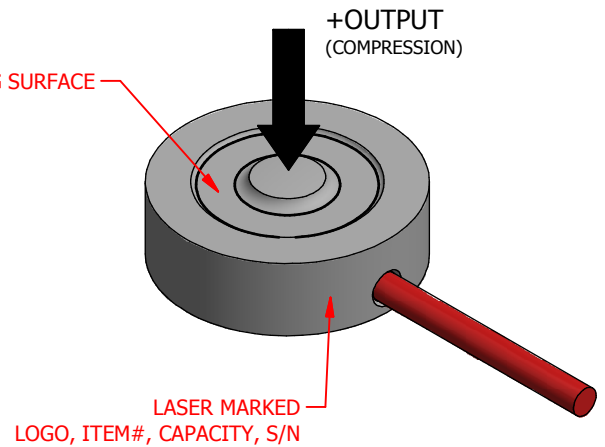
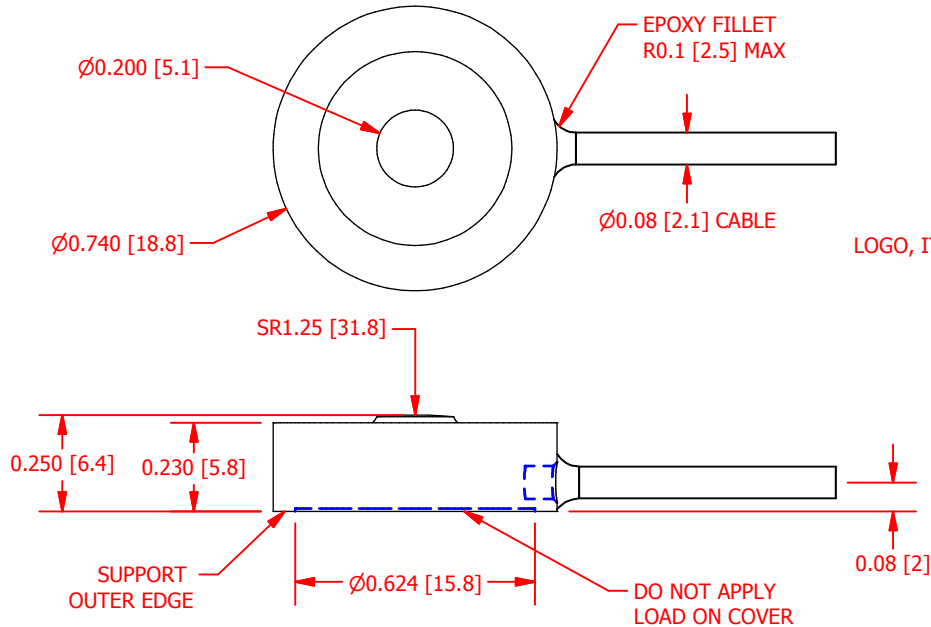
FUTEK MODEL QLA397

ITEM NUMBER: QSH01840

CUSTOM SUBMINIATURE IP67 RATED LOAD BUTTON LOAD CELL

INCH [mm]		R.O. = Rated Output	
WIRING CODE (WC 1)			
+ Excitation	- Excitation	+ Signal	- Signal
RED	BLACK	GREEN	WHITE
Shield	N/C	N/C	N/C
FLOATING	BLUE*	ORANGE*	YELLOW*

* UNUSED CONDUCTORS TRIMMED AT PIGTAIL END



SPECIFICATIONS:

RATED OUTPUT	2 mV/V nom.
CAPACITY	1000 lb. [4440N]
SAFE OVERLOAD	150 % of R.O.
ZERO BALANCE	±5% of R.O.
EXCITATION (VDC OR VAC)	18 MAX
BRIDGE RESISTANCE	700 Ω nom.
NONLINEARITY	±0.5% of R.O.
HYSTERESIS	±0.5% of R.O.
NONREPEATABILITY	±0.25% of R.O.
TEMP. SHIFT ZERO	±0.01% of R.O./°F (±0.018 of R.O./°C)
TEMP. SHIFT SPAN	±0.02% of LOAD/°F (±0.036 of LOAD/°C)
COMPENSATED TEMP.	60 to 160 °F (16 to 71 °C)
OPERATING TEMP	-60 to 200 °F (-51 to 93 °C)
MATERIAL	17-4 PH S.S.
DEFLECTION	0.001 [0.025] nom.
CABLE: #30 Awg 7 Conductor Braided Shielded Red Polyester Cable, 5 ft [1.5 m] Long	△
INGRESS PROTECTION	IP67

CUSTOMER APPROVAL- COMPANY:		<h1 style="color: green;">OUTLINE DRAWING</h1>	<p><i>This drawing is submitted solely for the information and exclusive use of the original addressee. It is not to be divulged in whole or in part, by any firm or individual without written permission from:</i></p> <p>FUTEK ADVANCED SENSOR TECHNOLOGY, INC. 10 THOMAS, IRVINE, CA 92618 USA Phone: (949) 465-0900 Fax: (949) 465-0905</p>
CUSTOMER APPROVAL- NAME / DATE:			
REVISIONS: (Refer to dwg # revision sheet)		<p>STANDARD NOTES: (Unless Otherwise Specified)</p> <p>ALL DIMENSIONS ARE IN INCHES</p> <p>DRAWING INTERPRETATION DIMS. PER ASME-Y14.5M</p> <p>REMOVE BURRS AND BREAK SHARP EDGES .005 - .015</p> <p>THREADS PER HANDBOOK H-28</p> <p>DIMENSIONS ARE SHOWN AFTER PLATING</p> <p>3rd ANGLE PROJ.</p> <p>ANGLE: ± 1/2°</p> <p>CHAMFER: ± 5°</p> <p>TOLERANCE: .X ± 0.1" .XX ± 0.01" .XXX ± 0.005"</p>	<p>MODEL: QLA397 DWG No.: F01419-A</p> <p>DRAWN BY: R. Walker CREATED DATE: 2/29/2016</p> <p>APPROVED BY: E. Pano APPROVED DATE: 3/1/2016</p> <p>CHECKED BY: CAGE: 1X8M6 SHEET: 1 OF 1</p>
A	3-4-16		