

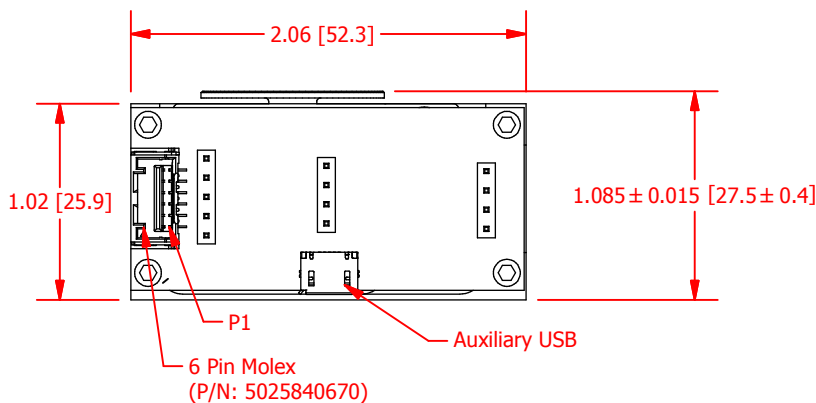
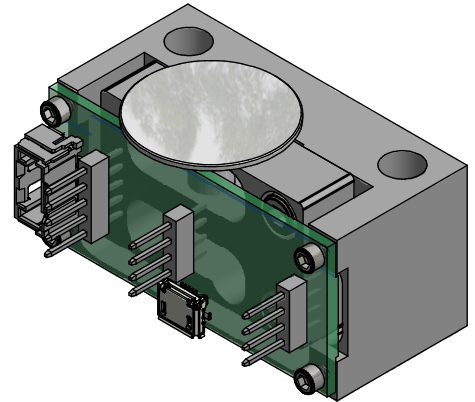
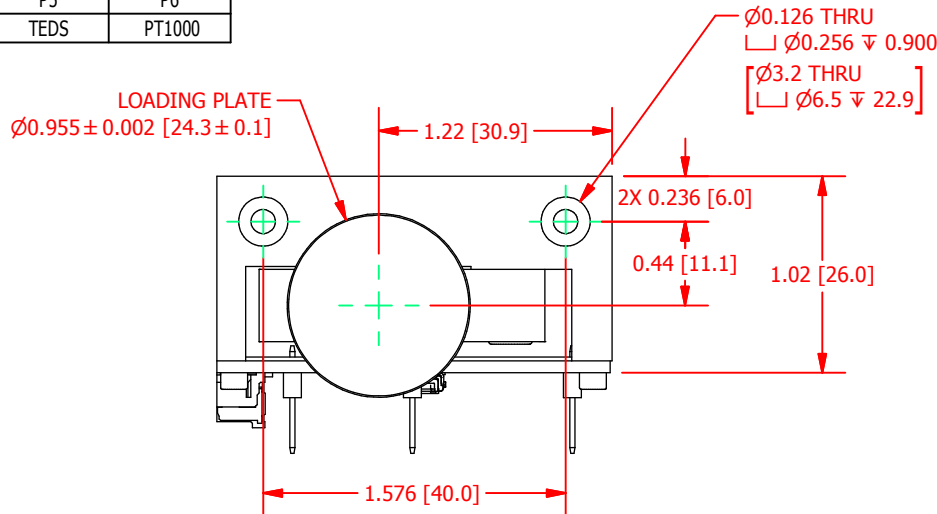
FUTEK MODEL QLA399

Parallelogram Load Cell with High Resolution RS232 Output

ITEM NUMBER: QSH01841

INCH [mm] | R.O.= Rated Output

WIRING CODE			
P1	P2	P3	P4
GROUND	VOLTAGE IN	Rxd	Txd
P5	P6		
TEDS	PT1000		



SPECIFICATIONS:

CAPACITY	300 g, (Calibration performed to 100 g)
SAFE OVERLOAD	150 % of R.O.
POWER SUPPLY	5 VDC +/-5%, 100 mA minimum
OPERATING TEMP	32 to 140 °F (0 to 60 °C)
MATERIAL	Housing- Non Anodized Aluminum
SAMPLING RATE	10 SPS (Default), 5, 20, 50 Selectable through SENSIT software
INTERNAL RESOLUTION	24 bits
USB 2.0 OUTPUT	Digital Packetized Data
RS232 OUTPUT FORMAT	*4 Byte HEX
BAUD RATE	115200 Bits per Second
INTEGRATED DIGITAL FILTER	50 Hz/60 Hz rejection (100 dB)

CUSTOMER APPROVAL- COMPANY:

OUTLINE DRAWING

This drawing is submitted solely for the information and exclusive use of the original addressee. It is not to be divulged in whole or in part, by any firm or individual without written permission from:

FUTEK
ADVANCED SENSOR TECHNOLOGY, INC.
10 THOMAS, IRVINE, CA 92618 USA
Phone: (949) 465-0900
Fax: (949) 465-0905

CUSTOMER APPROVAL- NAME / DATE:

STANDARD NOTES: (Unless Otherwise Specified)

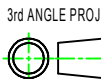
REVISIONS: (Refer to dwg # revision sheet)

ALL DIMENSIONS ARE IN INCHES
DRAWING INTERPRETATION DIMS. PER ASME-Y14.5M
REMOVE BURRS AND BREAK SHARP EDGES .005 - .015
THREADS PER HANDBOOK H-28
DIMENSIONS ARE SHOWN AFTER PLATING

ANGLE:
± 1/2°

CHAMFER:
± 5°

TOLERANCE:
.X ± 0.1"
.XX ± 0.01"
.XXX ± 0.005"



MODEL: QLA399	DWG No.: FO1423-A
DRAWN BY: R. Walker	CREATED DATE: 3/31/2016
APPROVED BY: J. Vargas	APPROVED DATE: 7/7/2016
CHECKED BY:	CAGE: 1X8M6 SHEET: 1 OF 2

A	7-7-16
---	--------