

Terms and Conditions of Use

This drawing, including all information depicted herein (collectively, "Drawing"), is FUTEK's property and protected under applicable law, including copyright. FUTEK reserves all rights. The Drawing is provided solely for your information and exclusive use. **Except as expressly approved by FUTEK in writing, you may not reproduce or share this Drawing**, in whole or part, with any other firm or individual, or attempt to reverse engineer the Drawing or data contained therein. Any reproduction of this Drawing in whole or part must include this legend.

By accessing the Drawing, you agree that you have read, understand, and agree to abide by the stated Terms and Conditions of Use.

© 2023 FUTEK Advanced Sensor Technology, Inc.

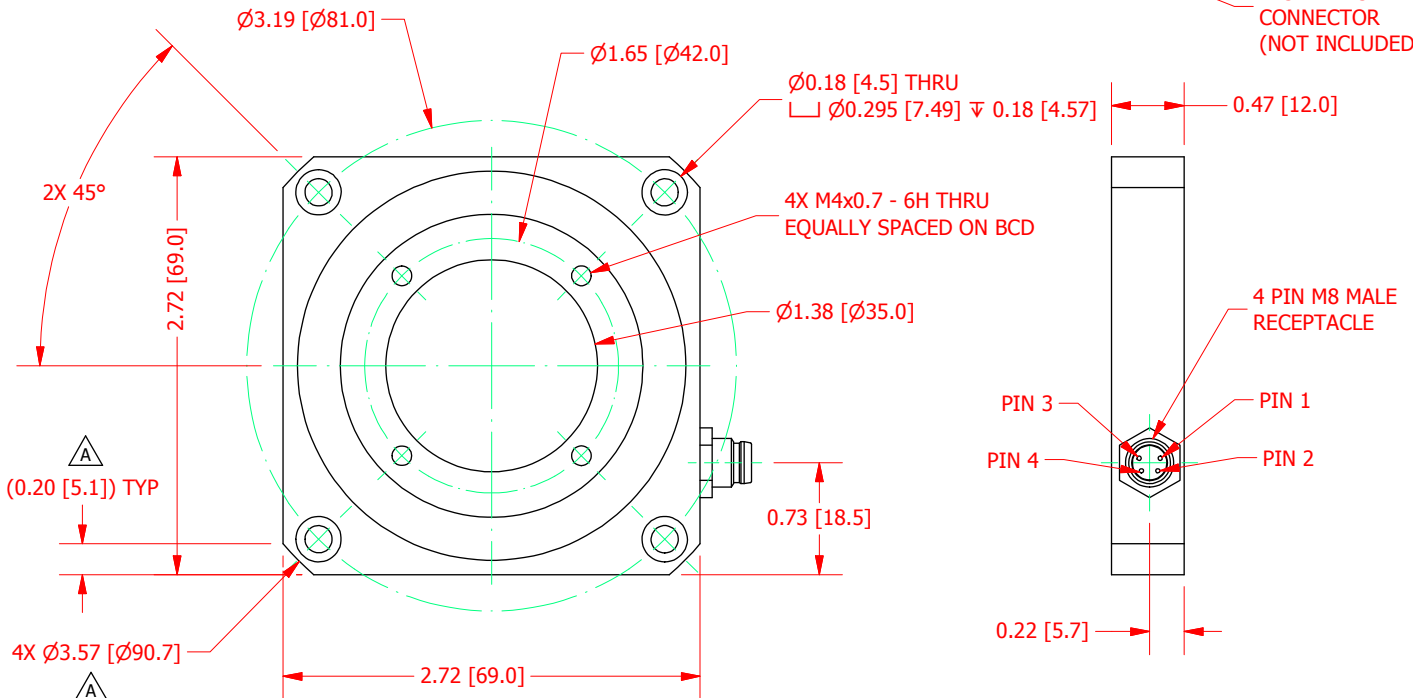
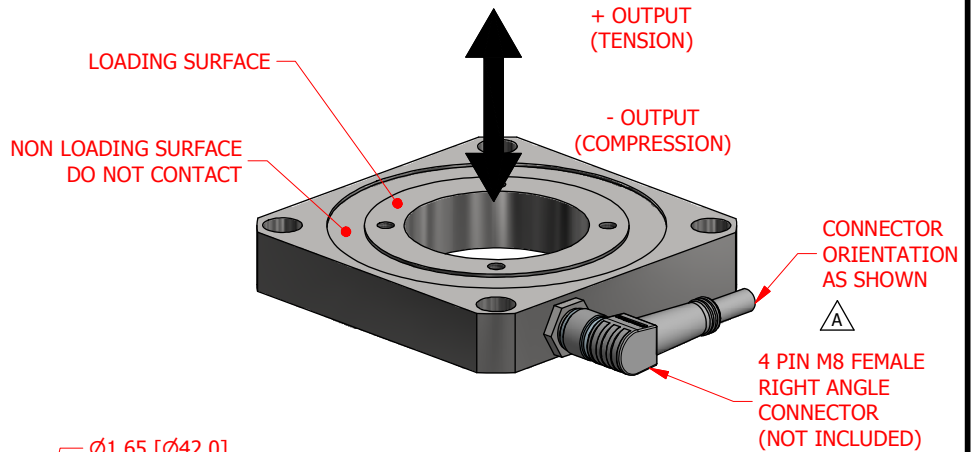
FUTEK MODEL QLA407

ITEM NUMBER: QSH01981

Custom Square Flange Mount Thru Hole Load Cell with 4 Pin Connector

INCH [mm] | R.O.= Rated Output

WIRING CODE \triangle B			
+ Excitation	-Signal	+Signal	- Excitation
PIN 1	PIN 2	PIN 3	PIN 4
BROWN	WHITE	BLUE	BLACK



SPECIFICATIONS:

RATED OUTPUT	2 mV/V nom.
CAPACITY	1000 lb. [4440N]
SAFE OVERLOAD	150 % of R.O.
ZERO BALANCE	±5% of R.O.
EXCITATION	10 VDC MAX
BRIDGE RESISTANCE	700 Ω nom.
NONLINEARITY	±1% of R.O.
HYSTERESIS	±1% of R.O.
NONREPEATABILITY	±0.5% of R.O.
TEMP. SHIFT ZERO	±0.01% of R.O./°F (± 0.018 of R.O./°C)
TEMP. SHIFT SPAN	±0.02% of LOAD/°F (± 0.036 of LOAD/°C)
COMPENSATED TEMP.	50 to 100 °F (10 to 38 °C)
OPERATING TEMP	-60 to 200 °F (-51 to 93 °C)
MATERIAL	17-4 PH STAINLESS STEEL
DEFLECTION	0.002 in [0.05 mm]

CUSTOMER APPROVAL- COMPANY:

CUSTOMER APPROVAL- NAME / DATE:

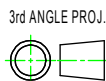
REVISIONS: (Refer to dwg # revision sheet)

A	4/11/2018
B	7/12/2018

OUTLINE DRAWING

STANDARD NOTES: (Unless Otherwise Specified)

ALL DIMENSIONS ARE IN INCHES
DRAWING INTERPRETATION DIMS. PER ASME-Y14.5
REMOVE BURRS AND BREAK SHARP EDGES .005 - .015
THREADS PER HANDBOOK H-28
DIMENSIONS ARE SHOWN AFTER PLATING



ANGLE:
± 1/2°

CHAMFER:
± 5°

TOLERANCE:
.X ± 0.1"
.XX ± 0.01"
.XXX ± 0.005"

FUTEK

This drawing, including all information depicted herein (collectively, "Drawing"), is FUTEK's property and protected under applicable law, including copyright. FUTEK reserves all rights. The Drawing is provided solely for your information and exclusive use. Except as expressly approved by FUTEK in writing, you may not reproduce or share this Drawing, in whole or part, with any other firm or individual, or attempt to reverse engineer the Drawing or data contained therein. Any reproduction of this Drawing in whole or part must include this legend.

MODEL: QLA407	DWG No.: FO1459-B
DRAWN BY: S. MICHEL	CREATED DATE: 3/30/2018
APPROVED BY: J. VARGAS	APPROVED DATE: 3/30/2018
CHECKED BY:	CAGE: 1X8M6 SHEET: 1 OF 1